

OLYMPIATOOLS®
GOOD QUALITY. GREAT VALUE.

USER MANUAL

20V LI-ION CORDLESS COMBI DRILL CD20VLI



CE

CONTENTS

CONTENTS

SAFETY INFORMATION	3-7	TROUBLE SHOOTING	13
SAFETY WARNING SYMBOLS	3	Why does the drill not turn on when you press the switch?	13
Safety warning symbols - Battery charger	3	The drill stops before the screw is completely tightened. Why?	13
Safety warning symbols - Battery.....	3	Reasons for different battery pack working times.....	13
Compliance and recycling symbols.....	3	MAINTENANCE	13
SAFETY WARNINGS - GENERAL POWER TOOLS	4-5	TECHNICAL SPECIFICATIONS	14-15
Work area safety.....	4	Drill	14
Electrical safety.....	4	Battery pack	14
Personal safety.....	4-5	Battery pack charger.....	14
Power tool use and care.....	5	Noise/vibration information.....	15
Battery tool use and care	5	DISPOSAL	16
Service	5	Packaging materials	16
SAFETY WARNINGS - DRILL	6	Electrical products.....	16
SAFETY WARNINGS - BATTERY PACK	6	Batteries.....	16
SAFETY WARNINGS - BATTERY PACK CHARGER	7	STORAGE	17
IN THE BOX	8	TRANSPORT	17
Key features	8	GUARANTEE	18
Accessories	8	EU DECLARATION OF CONFORMITY	19
OPERATION INSTRUCTIONS	9-12		
Intended use	9		
Charging the battery pack	9		
Installing and removing the battery pack.....	10		
Switch lock.....	10		
Reversible.....	10		
Chuck adjustment	10		
Torque adjustment	11		
Using the LED work light	11		
Gear selection.....	11		
Drilling	11		
Checking the battery pack capacity.....	12		
Disposal of an exhausted battery pack	12		
Overload protection.....	12		
Temperature dependent overload protection	12		
Protection against deep discharging	12		

SAFETY INFORMATION



IMPORTANT: To reduce risk of injury, please read this user guide before assembly.

SAFETY WARNING SYMBOLS

The following warning symbols appear throughout this user guide and indicate the appropriate safety measures you should take when assembling and operating the combi drill.

⚠ WARNING!

This symbol marks a point of safety, indicating a warning. Ignoring this safety symbol could result in an accident to yourself or others. To limit the risks of injury, fire or electrocution, always follow the recommendations indicated.

Safety warning symbols - Battery charger



Protection Class II
(double insulated)



Indicates T1A time lag fuse
with rated current of 1A



For indoor
use only

Safety warning symbols - Battery



Do not burn



Do not expose to rain or water



Do not expose the battery to sunlight or excessive temperatures. Do not charge or store the battery where the temperature is below 0°C or greater than 45°C.



Positive terminal



Negative terminal



LI-ION

Olympia Tools provides a facility for the collection and recycling of rechargeable LI-ION batteries once they have reached the end of their working life. To dispose of your battery please return to any Olympia Tools stockist who will collect on our behalf. Alternatively consult your local waste authority for information regarding available recycling and/or disposal options. Your battery will then be recycled or dismantled in order to reduce the impact on the environment. Battery packs can be hazardous for the environment and for human health since they contain hazardous substances.

Compliance and recycling symbols



Complies with relevant European regulations



Waste electrical products must not be disposed of with household waste. Please recycle where facilities exist. Check with your local authority or retailer for recycling advice.

SAFETY INFORMATION



IMPORTANT: To reduce risk of injury, please read this user guide before assembly.

SAFETY WARNINGS - GENERAL POWER TOOLS

⚠ WARNING!

Read all safety warnings and instructions. Failure to follow warnings and instructions may result in electric shock, fire and/or serious injury.

Save all warnings and instructions for future reference.

The term "power tool" in the warnings refers to your mains-operated (corded) power tool or battery-operated (cordless) power tool.

Work area safety

1. **Keep work area clean and well lit.** Cluttered or dark areas invite accidents.
2. **Do not operate power tools in explosive atmospheres, such as in the presence of flammable liquids, gases or dust.** Power tools create sparks which may ignite the dust or fumes.
3. **Keep children and bystanders away while operating a power tool.** Distractions can cause you to lose control.

Electrical safety

1. **Power tool plugs must match the outlet. Never modify the plug in any way. Do not use any adapter plugs with earthed (grounded) power tools.** Unmodified plugs and matching outlets will reduce risk of electric shock.

2. **Avoid body contact with earthed or grounded surfaces, such as pipes, radiators, ranges and refrigerators.** There is an increased risk of electric shock if your body is earthed or grounded.
3. **Do not expose power tools to rain or wet conditions.** Water entering a power tool will increase the risk of electric shock.
4. **Do not abuse the cord. Never use the cord for carrying, pulling or unplugging the power tool. Keep cord away from heat, oil, sharp edges or moving parts.** Damaged or entangled cords increase the risk of electric shock.
5. **When operating a power tool outdoors, use an extension cord suitable for outdoor use.** Use of a cord suitable for outdoor use reduces the risk of electric shock.
6. **If operating a power tool in a damp location is unavoidable, use a residual current device (RCD) protected supply.** Use of an RCD reduces the risk of electric shock.

Personal safety

1. **Stay alert, watch what you are doing and use common sense when operating a power tool. Do not use a power tool while you are tired or under the influence of drugs, alcohol or medication.** A moment of inattention while operating power tools may result in serious personal injury.
2. **Use personal protective equipment. Always wear eye protection.** Protective equipment such as dust mask, on-skid safety shoes, hard hat, or hearing protection used for appropriate conditions will reduce personal injuries.



3. **Prevent unintentional starting. Ensure the switch is in the off-position before connecting to power source and/or battery pack, picking up or carrying the tool.** Carrying power tools with your finger on the switch or energising power tools that have the switch on invites accidents.

4. **Remove any adjusting key or wrench before turning the power tool on.** A wrench or a key left attached to a rotating part of the power tool may result in personal injury.
5. **Do not overreach. Keep proper footing and balance at all times.** This enables better control of the power tool in unexpected situations.
6. **Dress properly. Do not wear loose clothing or jewellery. Keep your hair, clothing and gloves away from moving parts.** Loose clothes, jewellery or long hair can be caught in moving parts.
7. **If devices are provided for the connection of dust extraction and collection facilities, ensure these are connected and properly used.** Use of dust collection can reduce dust-related hazards.
6. **Keep cutting tools sharp and clean.** Properly maintained cutting tools with sharp cutting edges are less likely to bind and are easier to control.
7. **Use the power tool, accessories and tool bits etc. in accordance with these instructions, taking into account the working conditions and the work to be performed.** Use of the power tool for operations different from those intended could result in a hazardous situation.

Battery tool use and care

1. **Recharge only with the charger specified by the manufacturer.** A charger that is suitable for one type of battery pack may create a risk of fire when used with another battery pack.
2. **Use power tools only with specifically designated battery packs.** Use of any other battery packs may create a risk of injury and fire.
3. **When battery pack is not in use, keep it away from other metal objects, like paper clips, coins, keys, nails, screws or other small metal objects, that can make a connection from one terminal to another.** Shorting the battery terminals together may cause burns or a fire.
4. **Under abusive conditions, liquid may be ejected from the battery; avoid contact.** If contact accidentally occurs, flush with water. If liquid contacts eyes, additionally seek medical help. Liquid ejected from the battery may cause irritation or burns.

Power tool use and care

1. **Do not force the power tool. Use the correct power tool for your application.** The correct power tool will do the job better and safer at the rate for which it was designed.
2. **Do not use the power tool if the switch does not turn it on and off.** Any power tool that cannot be controlled with the switch is dangerous and must be repaired.
3. **Disconnect the plug from the power source and/or the battery pack from the power tool before making any adjustments, changing accessories, or storing power tools.** Such preventive safety measures reduce the risk of starting the power tool accidentally.
4. **Store idle power tools out of the reach of children and do not allow persons unfamiliar with the power tool or these instructions to operate the power tool.** Power tools are dangerous in the hands of untrained users.
5. **Maintain power tools. Check for misalignment or binding of moving parts, breakage of parts and any other condition that may affect the power tool's operation. If damaged, have the power tool repaired before use.** Many accidents are caused by poorly maintained power tools.

Service

Have your power tool serviced by a qualified repair person using only identical replacement parts. This will ensure that the safety of the power tool is maintained.

SAFETY INFORMATION



IMPORTANT: To reduce risk of injury, please read this user guide before assembly.

SAFETY WARNINGS - DRILL

1. Use auxiliary handle(s), if supplied with the tool. Loss of control can cause personal injury.
2. Hold power tool by insulated gripping surfaces, when performing an operation where the cutting accessory may contact hidden wiring. Cutting accessory contacting a “live” wire may make exposed metal parts of the power tool “live” and could give the operator an electric shock.

SAFETY INFORMATION



IMPORTANT: To reduce risk of injury, please read this user guide before assembly.

SAFETY WARNINGS - BATTERY PACK

1. Do not dismantle, open or shred cells or battery pack.
2. Do not short-circuit a battery pack. Do not store battery packs haphazardly in a box or drawer where they may short-circuit each other or be short-circuited by conductive materials. When battery pack is not in use, keep it away from other metal objects, like paper clips, coins, keys, nails, screws or other small metal objects, that can make a connection from one terminal to another. Shorting the battery terminals together may cause burns or a fire.

3. Do not expose battery pack to heat or fire. Avoid storage in direct sunlight.
4. Do not subject battery pack to mechanical shock.
5. In the event of battery leaking, do not allow the liquid to come into contact with the skin or eyes. If contact has been made, wash the affected area with copious amounts of water and seek medical advice.
6. Seek medical advice immediately if a cell or battery pack has been swallowed.
7. Keep battery pack clean and dry.
8. Wipe the battery pack terminals with a clean dry cloth if they become dirty.
9. Battery pack needs to be charged before use. Always refer to this user guide and use the correct charging procedure.
10. Do not maintain battery pack on charge when not in use.
11. After extended periods of storage, it may be necessary to charge and discharge the battery pack several times to obtain maximum performance.
12. Battery pack gives its best performance when it is operated at normal room temperature (20 °C ± 5 °C).
13. When disposing of battery packs, keep battery packs of different electrochemical systems separate from each other.
14. Recharge only with the charger specified by manufacturer. Do not use any charger other than that specifically provided for use with the equipment. A charger that is suitable for one type of battery pack may create a risk of fire when used with another battery pack.
15. Do not use any battery pack which is not designed for use with the equipment.
16. Keep battery pack out of the reach of children.
17. Retain this user guide for future reference.
18. Remove the battery from the equipment when not in use.
19. Dispose of properly.

SAFETY INFORMATION



IMPORTANT: To reduce risk of injury, please read this user guide before assembly.

SAFETY WARNINGS - BATTERY PACK CHARGER

⚠ WARNING!

Read all safety warnings and instructions. Failure to follow warnings and instructions may result in electric shock, fire and/or serious injury.

Save all warnings and instructions for future reference

This appliance can only be used by children aged from 8 years and above and persons with reduced physical, sensory or mental capabilities or lack of experience and knowledge if they have been given supervision or instruction concerning use of the appliance in a safe way and understand the hazards involved. Children shall not play with the appliance. Cleaning and user maintenance shall not be made by children without supervision. If the supply cord is damaged, it must be replaced by the manufacturer, its service agent or similarly qualified persons in order to avoid a hazard.

1. Before charging, read the instructions.
2. After charging, disconnect the battery charger from the supply mains. Then remove the chassis connection and then the battery connection.
3. Do not charge a leaking battery.
4. Do not use chargers for works other than those for which they are designed.
5. Before charging, ensure charger matches the local AC supply.
6. For indoor use, do not expose to rain.
7. The charging device must be protected from moisture.
8. Do not use the charging device in the open.
9. Do not short out the contacts of battery or charger.
10. Respect the polarity "+/-" when charging.
11. Do not open the unit and keep out of the reach of children.
12. Do not charge the batteries of other manufactures or ill-suited models.
13. Ensure that the connection between the battery charger and battery is correctly positioned and is not obstructed by foreign bodies.
14. Check battery charger's slots are free of foreign objects and protect against dirt and humidity. Store in a dry and frost-free place.
15. When charging batteries, ensure that the battery charger is in a well-ventilated area and away from inflammable materials. Batteries can get hot during charging. Do not overcharge batteries. Ensure that batteries and chargers are not left unsupervised during charging.
16. Do not recharge non-rechargeable batteries, as they can overheat and break.
17. Longer life and better performance can be obtained if the battery pack is charged when the air temperature is between 18°C and 24°C. Do not charge the battery pack in air temperatures below 4°C, or above 40°C. This is important as it can prevent serious damage to the battery pack.
18. Charge only battery packs of the same model provided by manufacturer and of models recommended by manufacturer.

IN THE BOX

IN THE BOX

Key features



Accessories

1. 1x 20V 1.5Ah battery
2. 1x Charger
3. 1x Belt clip

OPERATION INSTRUCTIONS



IMPORTANT: To reduce risk of injury, please read this user guide before use.

Intended use

This tool is intended for driving in and loosening screws as well as for drilling in wood, metal and plastic.

Charging the battery pack

Before putting into operation charge the tool or battery pack (See fig. A).

1. Do not use any charger other than that specifically provided for use with the equipment.
2. If the battery pack is very hot you must remove your battery pack from the charger and allow time for the battery to cool down before recharging.
3. The battery in your new tool is not charged when it leaves the plant. Therefore it must be fully charged before using the first time.
4. Please charge the battery to reach full or no less than half charge before storage. If the tool will not be used for long periods of time, charge the battery every 3-6 months.

Plug charger plug into a suitable power outlet and afterwards plug the DC plug into socket of your battery pack, the charging indicator (red) will illuminate at this time.

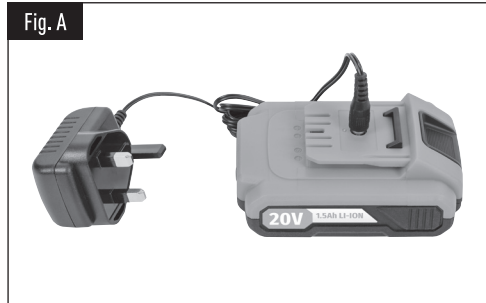
The battery charge level indicator will be on when charging. A green light indicates charging is complete. Unplug the charging plug from the wall socket and remove the battery charger from the battery. The battery is ready to use.

⚠ WARNING!

When charging, the charger and battery may become warm to the touch, this is normal and does not indicate a problem.

When battery charge runs out after continuous use or exposure to direct sunlight or heat, allow time for the tool to cool down before re-charging to achieve the full charge.

Fig. A



OPERATION INSTRUCTIONS

Installing and removing the battery pack (See fig. B)

- To remove the battery pack**
Press the battery pack release button (11) firmly first and then slide the battery pack out from your tool.
- To install the battery pack**
Slide the fully charged battery pack onto the tool with sufficient force until it clicks into position.
- On/off switch (See fig. C)**
Press the On/off switch (a) to start and release it to stop your drill. The On/off switch (a) is fitted with a brake function which stops your chuck immediately when you quickly release the switch. It is also a variable speed switch that delivers higher speed and torque with increased trigger pressure. Speed is controlled by the amount of switch trigger depression.

⚠ WARNING!

Do not operate for long periods at low speed because excess heat will be produced internally.

Fig. B



Switch lock (See fig. C)

The switch trigger can be locked in the 'OFF' position. This helps to reduce the possibility of accidental starting when not in use. To lock the switch trigger, place the rotation control (b) in the centre position.

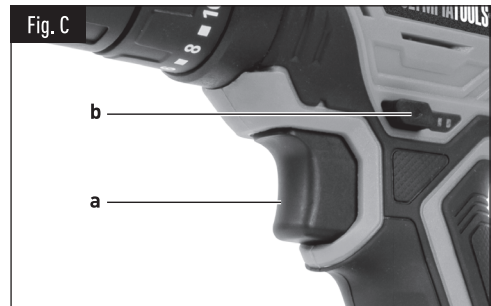
Reversible (See fig. C)

For drilling and screw driving use forward rotation marked "◀" (rotation control (b) is moved to the left). Only use reverse rotation marked "▶" (rotation control (b) is moved to the right) to remove screws or release a jammed drill bit.

⚠ WARNING!

Never change the direction of rotation when the chuck is rotating, wait until it has stopped!

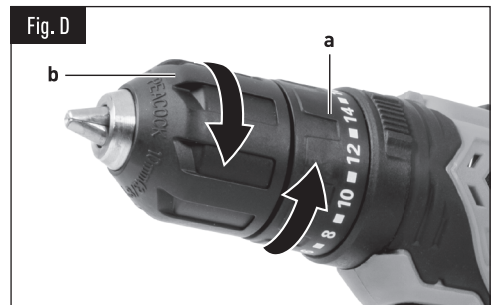
Fig. C



Chuck adjustment (See fig. D)

To open the chuck jaws hold the rear section (a) and rotate the front section of the chuck (b). Insert the drill bit between the chuck jaws and rotate the front section in the opposite direction. Ensure the drill bit is in the centre of the chuck jaws. Finally, firmly rotate the front chuck section in the opposite directions. Your drill bit is now clamped in the chuck.




Fig. D

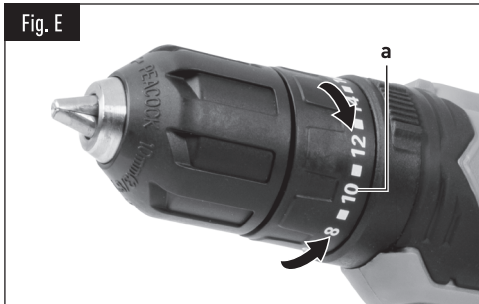


Torque adjustment (See fig. E) (Screw driving force of your combi drill)

The torque is adjusted by rotating the torque adjustment ring (a). The torque is greater when the torque adjustment ring is set on a higher setting. The torque is less when the torque adjustment ring is set on a lower setting.

When drilling in wood, metal, plastic and screwdriver choose the drill position. Make the setting as follows:

- 1 - 4 for driving small screws
- 5 - 9 for driving screws into soft material
- 10 - 14 for driving screws into soft and hard material
- 15 - 18 for driving screws into hard wood
-  for driving larger screws
-  for heavy drilling
-  for drilling in masonry
(for combi drill with hammer function)



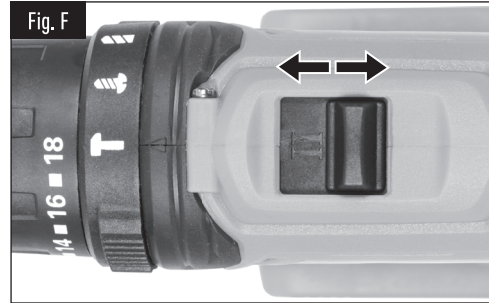
Using the LED work light

To turn on the light simply press the On/off switch and make sure the forward/reverse rotation control is on right/left position. When you release the On/off switch, the light will go off. LED lighting increases visibility when working in dark or enclosed areas.

Gear selection (See fig. F)

Choose the gear selection to (I), the speed will be slow for drilling with large drill diameters.

Choose the gear selection to (II), the speed will be fast for drilling with small drill diameters.



Drilling

When drilling into a hard smooth surface, use a centre punch to mark the desired hole location. This will prevent the drill bit from slipping off centre as the hole is started. Hold the tool firmly and place the tip of the bit at the point to be drilled. Depress the switch trigger to start the tool. Move the drill bit into the workpiece, applying only enough pressure to keep the bit cutting. Do not force or apply side pressure to elongate a hole.

If you want to activate the drill function (for drilling metal wood or plastic), turn the torque adjustment ring to the drill position.

WARNING!

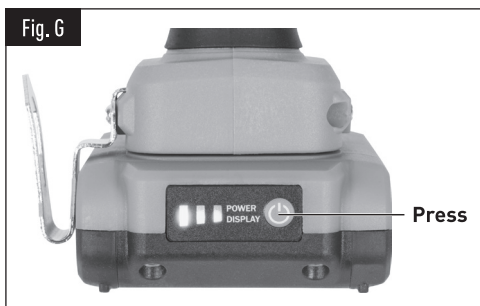
When drilling in metal, only use HSS drill bits in good condition. Always use a magnetic bit holder (not included) when using short screwdriver bits. When screwdriving, apply a small quantity of liquid soap or similar to the screw threads to ease insertion.

OPERATION INSTRUCTIONS

Checking the battery pack capacity (See fig. G)

Check the battery capacity via the coloured LEDs.
Press the button and check the LEDs:

Light	Status
Red on	Battery too low
Red + yellow	Battery half charged
Red + yellow + green	Battery fully charged



Overload protection

When overloaded, the motor comes to a stop. Relieve the load on the tool immediately and release the On/off switch. Restart the tool as normal.

Temperature dependent overload protection

When used as intended the power tool cannot be subject to overload. When the load is too high or the allowable battery temperature is too hot, the electronic control switches off the power tool until the temperature is in the optimum temperature range again.

Protection against deep discharging

The LI-ION battery is protected against deep discharging by the "Discharging Protection System". When the battery is empty, the tool is switched off by means of a protective circuit. The drill will no longer rotate. Remove the battery and recharge.

Disposal of an exhausted battery pack

Olympia Tools provides a facility for the collection and recycling of rechargeable LI-ION batteries once they have reached the end of their working life. To dispose of your battery please return to any Olympia Tools stockist who will collect them on our behalf. Alternatively consult your local waste authority for information regarding available recycling and/or disposal options. It will then be recycled or dismantled in order to reduce the impact on the environment. Battery packs can be hazardous for the environment and for human health since they contain hazardous substances.

Discharge your battery pack by operating your drill, then remove the battery pack from the drill housing and cover the battery pack connections with heavy-duty adhesive tape to prevent short circuit and energy discharge. Do not attempt to open or remove any of the components.



LI-ION

TROUBLE SHOOTING

Why does the drill not turn on when you press the switch?

The forward/reverse rotation control, which is on top of the trigger, is positioned in the lock function. Unlock the forward/reverse rotation control by putting it into the required rotation position. Push the trigger and the drill will start to rotate.

The drill stops before the screw is completely tightened. Why?

Verify the torque position of the torque adjusting ring, you can find the torque-adjusting ring between the chuck and the drill body. Position 1 is the lowest torque (screw driving force) and position 18 is the highest torque (screw driving force). Regulate the torque adjusting ring to a higher position to reach the best result.

Reasons for different battery pack working times

Prolonged storage of a battery pack without use will reduce the battery pack working time. This can be corrected after several charge and discharge operations by charging and working with your drill. Heavy working conditions such as large screws into hard wood will use up the battery pack energy faster than lighter working conditions. Do not re-charge your battery pack below 0°C and above 45°C as this will affect performance.

MAINTENANCE

Your tool requires no additional lubrication or maintenance. There are no user serviceable parts in your power tool.

Never use water or chemical cleaners to clean your power tool. Wipe clean with a dry cloth.

Always store your power tool in a dry place.

Keep the motor ventilation slots clean. Keep all working controls free of dust.

Occasionally you may see sparks through the ventilation slots. This is normal and will not damage your power tool.


TECHNICAL SPECIFICATIONS

TECHNICAL SPECIFICATIONS




Combi drill

Model	DF-1803 (CD20VLI)
Code	09-020
Max. torque	28Nm
Torque settings	18+3
Number of gears	2
No-load speed (gear 1/gear 2)	0-400/0-1350/min
Max. impact rate (gear 1/gear 2)	6000/20250bpm
Drill chuck	10mm/3/8" keyless
Max. drilling Ø (steel)	6mm
Max. drilling Ø (masonry)	10mm
Max. drilling Ø (wood)	20mm
Weight	1.50Kg

Battery pack

Model	DF20V1901
Battery voltage	20V 
Battery capacity	1.5Ah LI-ION 30Wh

Battery pack charger

Model	XZ2200-0400WB
Input	100-240V~50-60Hz 0.3A
Output	DC22V  400mA
Charging time	3-5 hours
Protection class II	
For indoor use only	

Noise/vibration information

Noise

A weighted sound pressure	L_{pA} : 76.4dB(A)
A weighted sound power	L_{wA} : 87.4dB(A)
	K_{pA} and K_{wA} = 3.0dB(A)

⚠ WARNING!

Wear ear protection when sound pressure is over: 80dB(A)

Vibration

Vibration total values (triax vector sum) determined according to EN 62841:

Drilling into metal	Vibration emission value $a_{h,D} = 1.083m/s^2$
	Uncertainty $K = 1.5m/s^2$
Impact drilling into concrete	Vibration emission value $a_{h,10} = 8.973m/s^2$
	Uncertainty $K = 1.5m/s^2$

The declared vibration total value may be used for comparing one tool with another, and may also be used in a preliminary assessment of exposure.

⚠ WARNING!

The vibration emission value during actual use of the power tool can differ from the declared value depending on the ways in which the tool is used for example:

How the tool is used and the materials being cut or drilled.

The tool being in good condition and well maintained.

Use of the correct accessory for the tool and ensuring it is sharp and in good condition.

The tightness of the grip on the handles and whether any anti-vibration accessories are used.

The tool is being used as intended by its design and as detailed in this user guide.

This tool may cause hand-arm vibration syndrome if its use is not adequately managed.

⚠ WARNING!

To be accurate, an estimation of exposure level in the actual conditions of use should also take account of all parts of the operating cycle such as the times when the tool is switched off and when it is running idle but not actually doing the job. This may significantly reduce the exposure level over the total working period.

ALWAYS use sharp chisels, drills and blades.

Maintain this tool in accordance with these instructions and keep well lubricated (where appropriate).

If the tool is to be used regularly then invest in anti-vibration accessories.

Avoid using tools in temperatures of 10°C or less.

Plan your work schedule to spread any high vibration tool use across a number of days.

DISPOSAL

DISPOSAL

Packaging materials

Dispose of in an environmentally friendly way by adding to your recyclable waste bin, or by taking it to a public collection centre.



Electrical products

Waste electrical products should not be disposed of with household waste. Please recycle where facilities exist. Check with your Local Authority or retailer for recycling advice.



Batteries

Olympia Tools provides a facility for the collection and recycling of rechargeable LI-ION batteries once they have reached the end of their working life. To dispose of your battery please return to any Olympia Tools stockist who will collect on our behalf. Alternatively consult your local waste authority for information regarding available recycling and/or disposal options. Your battery will then be recycled or dismantled in order to reduce the impact on the environment. Battery packs can be hazardous for the environment and for human health since they contain hazardous substances.



STORAGE

Store the machine, operating instructions and where necessary the accessories in the original packaging. In this way you will always have all the information and parts ready to hand.

Pack the device well or use the original packaging in order to avoid transit damage.

Always keep the machine in dry place.

TRANSPORT

WARNING!

LI-ION batteries are subject to Dangerous Goods Legislation. The process for shipping LI-ION batteries can be difficult. There are many regulations you need to adhere to, and specific packaging and labelling instructions you need to follow when sending LI-ION batteries by ground or air via a third party (air freight, courier, etc.)

Ensure you take account of UN3481 regulations and any more detailed national regulations. If in doubt, contact the service provider you have chosen to ship your LI-ION batteries or consult an expert for hazardous material.

WARNING!

- Make sure your LI-ION battery is contained in its associated device
- Seal the On/off switches and any electrical terminals with tape
- Place your device in a plastic bag before packaging it
- Make sure you attach the correct shipping label for the service you're using to ship your LI-ION batteries
- You are responsible for ensuring all documentation is correct
- Make sure your package is secure and will not break if it is dropped
- Use as much hard-wearing packaging as you can
- You are not allowed to ship faulty LI-ION batteries
- Batteries can be transported by road without further requirements

GUARANTEE

GUARANTEE

This product is selected for **DOMESTIC USE ONLY** and not for business use. This product is guaranteed against manufacturing defects for a period of 24 months. This does not cover the product where the fault is due to misuse, abuse, use in contravention of the instructions, or where the product has been the subject of unauthorised modifications or alterations, or has been the subject of commercial use. In the event of a problem with the product within the guarantee period please return it to your nearest store. If the item is shown to have an inherent defect present at the time of sale, the store will provide you with a replacement. Your statutory rights remain unaffected.

EU DECLARATION OF CONFORMITY

1. Apparatus product/model

Product: 20V LI-ION cordless combi drill

Model: DF-1803

2. This declaration of conformity is issued under the sole responsibility of the manufacturer

3. Object of the declaration

Product: 20V LI-ION cordless combi drill

Model: DF-1803

Rated voltage: 20V

4. This 20V LI-ION cordless combi drill model number DF-1803 fully complies with the Machinery Directive 2006/42/EC, Electromagnetic Compatibility Directive 2014/30/EC, RoHS Directive 2011/65/EU and the following harmonized EU standards:

EN 62841-1: 2015

EN 62841-2-1: 2018

EN 55014-1: 2017

EN 55014-2: 2015

5. This declaration is made under the sole responsibility of: SUMEC HARDWARE AND TOOLS CO., LTD.

Date: Oct,15,2019



OLYMPIATOOLS®

GOOD QUALITY. GREAT VALUE.

Olympia Tools (UK) Ltd
Bull Lane, Wednesbury,
West Midlands, WS10 8RW

09-020