

# POWERBASE

32cm 1400W Electric  
Scarifier and Rake 577157

## Instruction Manual

**IMPORTANT!**  
Please read these  
instructions fully before  
starting assembly.



These instructions contain important information that will help you get the best from your product, ensuring it is assembled correctly and safely. If you need help or have damaged or missing parts, call the Customer Helpline on 01904 727 509.

# Contents

General safety warnings	3
Intended use	9
Warning symbols	9
In the box	11
Assembly	13
Preparation	14
Operation	19
Maintenance and repair	22
Troubleshooting	24
Technical data	25
HAVS safety	26
Disposal	26
Getting help	26
Warranty	27

# General Safety Warnings

## Safety warnings



### WARNING!

**Read all safety warnings and all instructions. Failure to follow the warnings and instructions may result in electric shock, fire and/or serious injury. Carefully read the instructions for the safe operation of the machine. Save all warnings and instructions for future reference.**

- Never allow children, persons with reduced physical, sensory or mental capabilities or lack of experience and knowledge, or people unfamiliar with these instructions to use the machine. Local regulations may restrict the age of the operator.
- Children shall not play with the machine.
- Keep the flexible supply cord away from the cutting blades.
- Blades continue to rotate after the machine is switched off.
- Cleaning and user maintenance must not be made by children without supervision.

## Training

- Read the instructions carefully. Be familiar with the controls and the correct use of the equipment.
- Keep in mind that the operator or user is responsible for accidents or hazards occurring to other people or their property.

## Preparation

- Wear ear protection and safety glasses (PPE) at all times while operating the machine.
- Before use, check the supply and extension cord for signs of damage or aging. If the cord becomes damaged during use, disconnect the cord from the supply immediately. **DO NOT TOUCH THE CORD BEFORE DISCONNECTING THE SUPPLY.** Do not use the machine if the cord is damaged or worn.
- While operating the machine always wear substantial footwear and long trousers. Do not operate the machine when barefoot or wearing open-toed sandals. Avoid wearing clothing that is loose fitting or that has hanging cords or ties.
- Thoroughly inspect the area where the equipment is to be used and remove all objects which can be thrown by the machine.

- Operate the machine in a recommended position and only on a firm, level surface.
- Do not operate the machine on a paved or gravel surface where ejected material could cause injury.
- Before starting the machine, check that all screws, nuts, bolts, and other fasteners are well assembled.

## Operation

- Operate the machine only in daylight or in good artificial light.
- Avoid operating the machine in wet grass.
- Always be sure of your footing at all times, especially on slopes.
- Walk, never run.
- Mow across the face of slopes, never up and down.
- Exercise extreme caution when changing direction on slopes.
- Do not scarify or aerate excessively steep slopes.
- Use extreme caution when reversing or pulling the machine towards you.
- Stop the tines if the machine has to be tilted for transportation when crossing surfaces other than grass, and when transporting the machine to and from the area to be worked on.

- Never operate the machine with defective guards or shields, or without safety devices, for example deflectors and/or the grass collector, in place.
- Switch on the motor carefully according to instructions and with feet well away from the tines.
- Keep supply and extension cords away from the tines.
- Do not tilt the machine when switching on the motor, except if the machine has to be tilted for starting. In this case, do not tilt it more than absolutely necessary and lift only the part which is away from the operator. Always ensure that both hands are in the operating position before returning the machine to the ground.
- Do not transport the machine while the power source is running.
- Do not put hands or feet near or under rotating parts. Keep clear of the discharge opening at all times.
- Stop the machine, and remove the plug from the socket. Make sure that all moving parts have come to a complete stop:
  - 1) Whenever you leave the machine,
  - 2) Before clearing blockages or unclogging the chute,
  - 3) Before checking, cleaning or working on the machine,

4) After striking a foreign object. Inspect the machine for damage and make repairs before restarting and operating the machine;

if the machine starts to vibrate abnormally (check immediately)

5) Inspect for damage,

6) Replace or repair any damaged parts,

7) Check for and tighten any loose parts.

- Connect the machine only to a supply circuit protected by a residual current device (RCD) with a tripping current of not more than 30mA,
- Avoid using the machine in bad weather conditions, especially when there is a risk of lightning.

## Maintenance and storage

- Keep all nuts, bolts and screws tight to be sure the equipment is in safe working condition.
- Check the debris collector frequently for wear or deterioration.
- Replace worn or damaged parts for safety.
- On machines with multiple tine assemblies, take care as rotating one tine assembly can cause another tine assembly to rotate.

- Be careful during adjustment of the machine to prevent entrapment of the fingers between moving tine assemblies and fixed parts of the machine.
- Always allow the machine to cool down before storing.
- When servicing the tine assembly, be aware that, even though the power source is switched off, the tine assembly can still be moved manually.
- Replace worn or damaged parts for safety. Use only genuine replacement parts and accessories.
- When the machine is stopped for servicing, inspection, or storage, or to change an accessory, shut off the power source, disconnect the machine from the supply and make sure that all moving parts have come to a complete stop. Allow the machine to cool before making any inspections, or adjustments, etc. Maintain the machine with care and keep it clean.
- Store the machine out of the reach of children.

## Intended Use

This product is not intended for use by persons (including children) with reduced physical, sensory or mental capabilities, or lack of experience and knowledge, unless they have been given supervision or instruction concerning the use of the product by a person responsible for their safety.

Children should be supervised to ensure that they do not play with the product.

- This scarifier and raker is designated with a rated input of 1400 Watts. Depending on the fitted cutting device, this product is either intended for scarifying and removing thatch from lawns or for raking in domestic and hobby gardens.
- When used as a scarifier, this product works by opening up the surface by removing moss and organic matter (thatch) allowing more air, moisture and nutrients to access the roots, thereby providing a healthier lawn.
- When used as a raker, the tines will remove moss and dead grass from the lawn.
- This product is not to be used in wet weather conditions and may not be used to mow dry, wet or unusually high grass, e.g. pasture grass or for shredding leaves.
- This product is intended for private domestic use only, not for any commercial trade use. It must not be used for any purposes other than those described.

## Warnings Symbols



Caution/Warning.



Read the operator's the manual.



Wear eye protection. Wear hearing protection (PPE).



Wear hand protection.



Do not operate or expose the product to rain or wet conditions.



Risk of electric shock.



Switch off! Remove the plug from the mains before cleaning or maintenance.



Keep the flexible supply cord away from the cutting means.



Beware of sharp blades. Blades continue to rotate after the motor is switched off. Remove the plug from the mains before maintenance or if the cord is damaged.



There is a risk that some objects could be thrown out by the machine. Keep bystanders away.



Class II equipment.



Recycle unwanted materials instead of disposing of them as household waste. All tools, cables and packaging should be sorted, taken to the local recycling centre and disposed of in an environmentally-friendly way.



Guaranteed sound power level value in 103dB.



The product complies with the applicable European directives and an evaluation method of conformity for these directives was done.

## In the Box

### Parts

1. Switch box
2. Switch bar
3. Upper handle
4. Middle handle
5. Lower handle
6. Wing nuts (x 4)
7. Screws (x 2)
8. Air vents
9. Height-adjustment handle
10. Front wheel
11. Rear wheel
12. Grass bag
13. Rear flap
14. Cable clips (x 2)
15. Cable strain relief
16. Cable
17. Cutting device (scarifying cylinder)
18. Cutting device (raking cylinder)

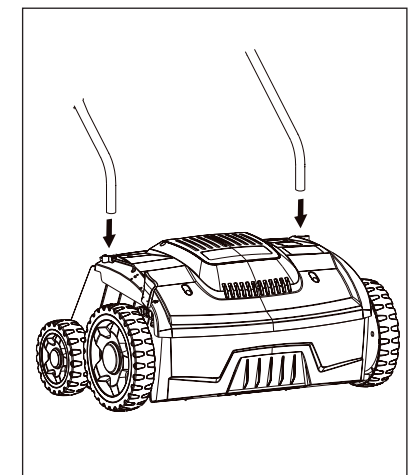
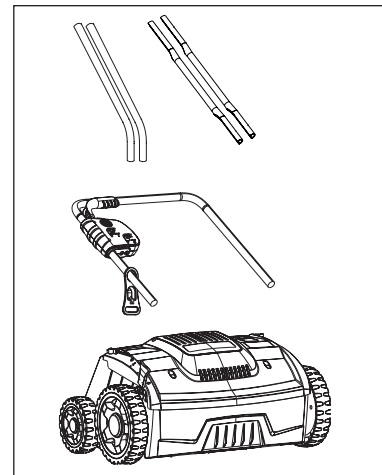
# Assembly



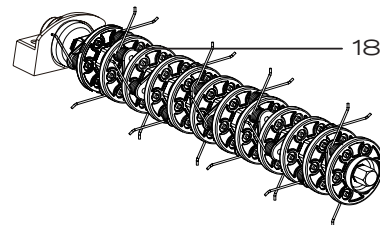
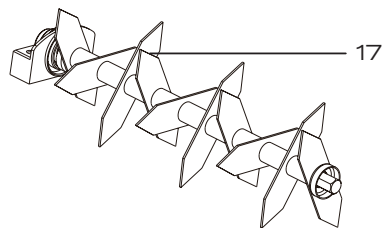
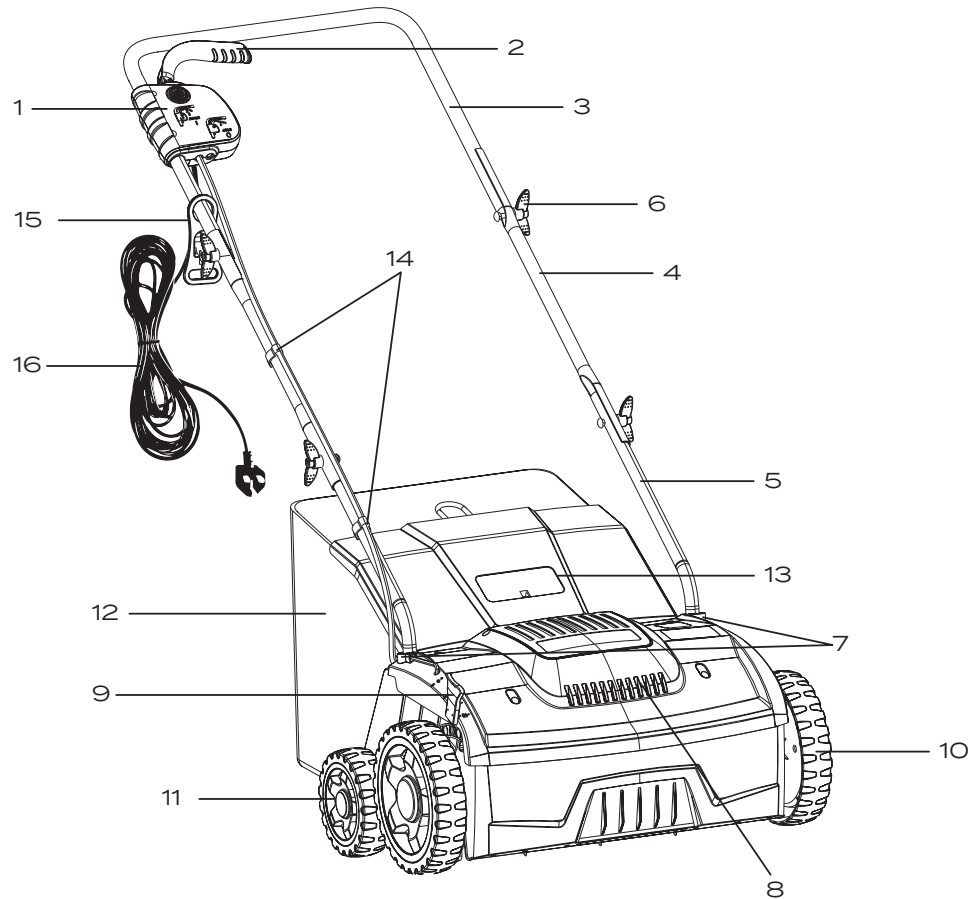
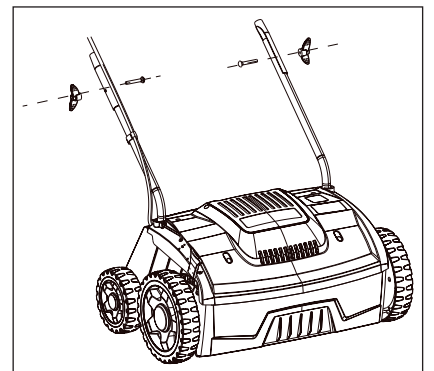
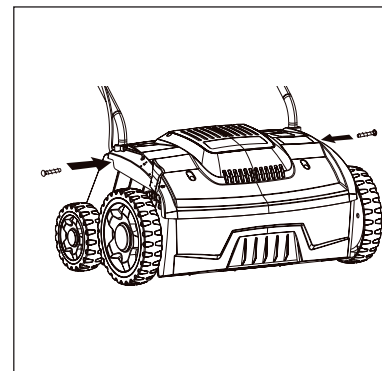
**WARNING! Remove the plug from the main power source before undertaking the assembly or adjustment.**

## Handle bar assembly

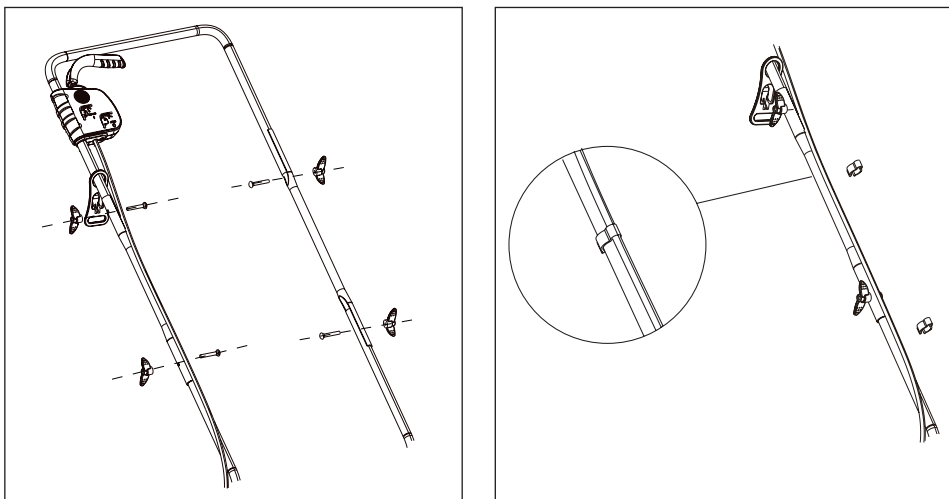
1. Place the machine on firm ground. Take out the handles and hand bars.
2. Align the lower handle bars with the frame (lower hand bar hole). Keep the direction of both lower handle bars in line with the wheels to help to make the holes on the handle bar correspond with those in the frame.



3. Secure the bars to the support using 1 screw each.
4. Align the middle handle bars to the lower ones. Make sure the holes of the handle bars are aligned and secure them with one mounting set on each side.



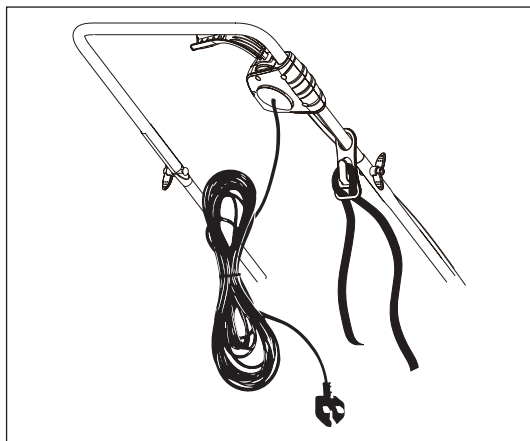
- Put the cable strain relief on the upper handle bar, just under the switch box, then align the upper handle bar with the middle handle bar and secure them with one mounting set on each side.
- Fix the cable with the cord clips to the handle bar.



## Preparation

### Settle the power cord

The power cord should be wrapped around the cable strain relief to avoid long lines stumbling pedestrians or causing electric shock. Ensure no children or pets are close to the machine when in use.

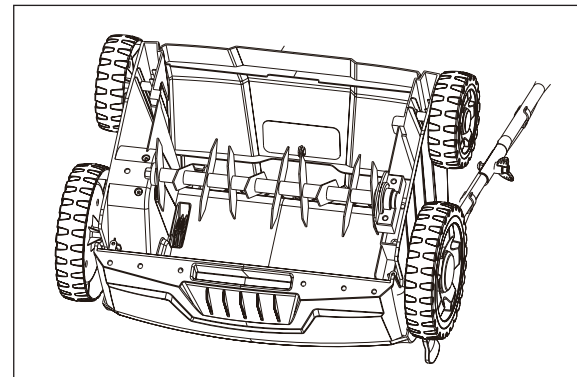


## Install correct cutting device

The machine is fitted with a scarifying cylinder blade before delivery.

### For scarifying

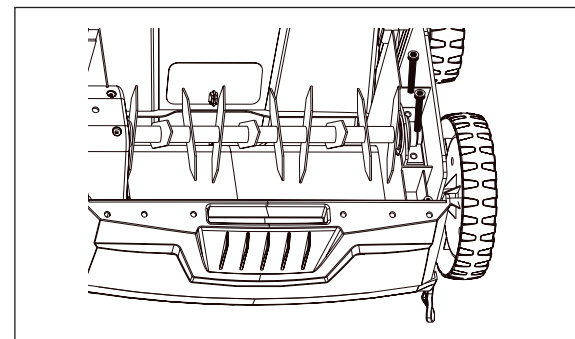
Correct cutting blade fitted already thus no need for extra installation.



### For raking

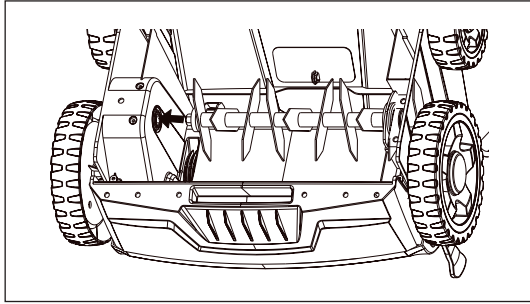
First, disassemble the scarifying cylinder blade before fitting the raking blade.

- Place the product upside down on a flat stable surface to have access to the under-body.
- Loosen the two bolts with an Allen key, remove them together with the spring washers.
- To remove the cutting device, first lift the bearing and then pull it out from the drive shaft.

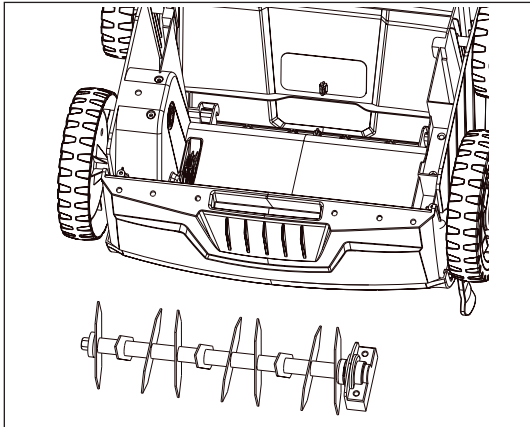




- Slide the hex nut out the socket of the drive shaft and the bearing from the support with the bolts and spring washers.

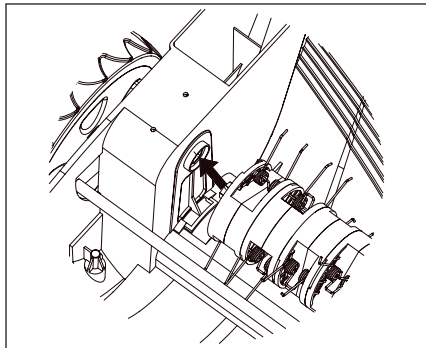
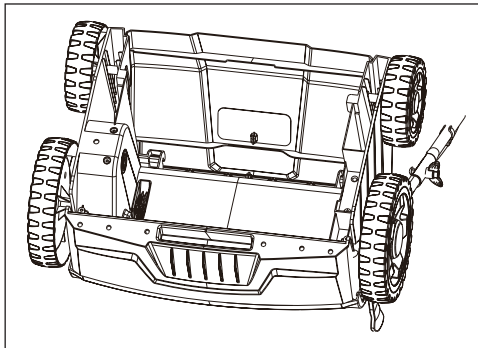


- Then you can take out the scarifying cylinder with blades.

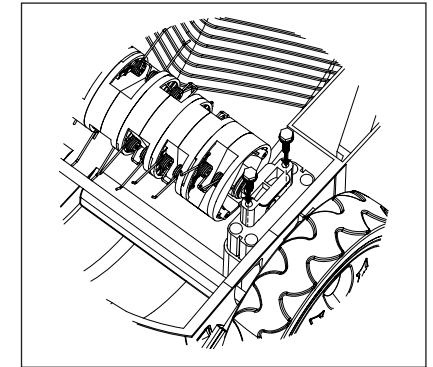
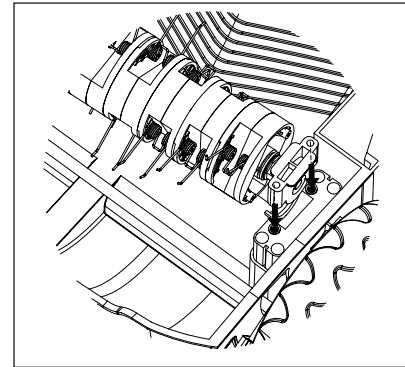


Second step, install the raking cylinder blade:

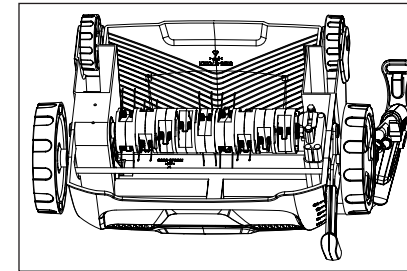
- Place the product upside down on a flat stable surface to have access to the under-body.
- Slide the hex nut into the socket of the drive shaft and place the drive shaft securely into the socket.



- Put the drive shaft on the upper bearing seat, and keep it in the correct position.
- Tighten the drive shaft with the two bolts using the Allen key with the spring washers and fix the cutting device tightly.



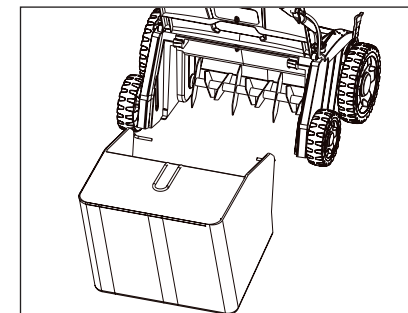
- Check the installation and ensure it can work normally.



### Install the grass bag

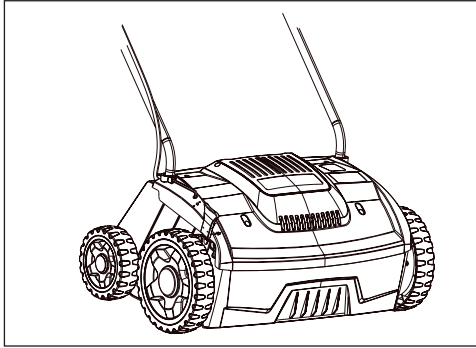
Depending on the work you intend to do, you may need to install the grass bag. For scarifying mode there is no need to do so.

For raking mode, lift the rear deflector guard and attach the grass bag to the rear side of the machine.



## Adjust the working height setting

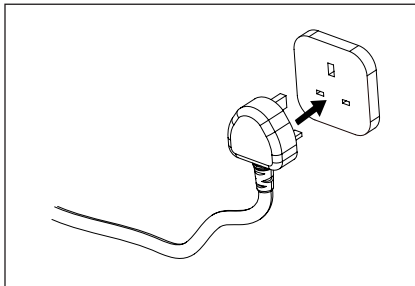
Push the depth adjustment lever towards the wheel and then move it forward or backward to adjust the required cutting depth.



Scale or Position	Setting	Application		
		Depth	Scarifying	Raking
1	high	10mm	do not use for scarifying	for pushing behind with the machine; and removing thin thatch layers
2	minimal	5mm	do not use for scarifying	raking healthy lawn
3	middle	0mm	transport, storage and scarifying	transport, storage and raking
4	deep	-5mm	use for scarifying	not recommended for raking
5	deep	-10mm	use for scarifying	do not use for raking

## Connect to the power source

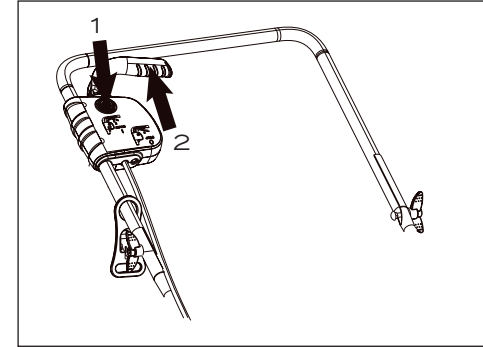
Insert the power cord/plug to the power source before starting.



## Operation

### Switch on/off

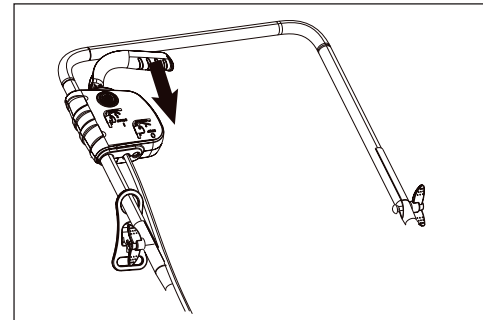
Begin by pressing the lock-off button fully, then hold the start/stop lever. When the machine starts, the lock-off button can be released.



**NOTE:** Always keep both hands on the machine and your feet away from the blades when operating.

### Stop machine

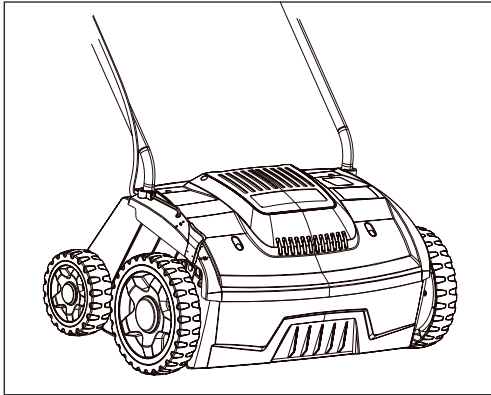
Release the start/stop lever, the machine will stop running.



## Scarifying work

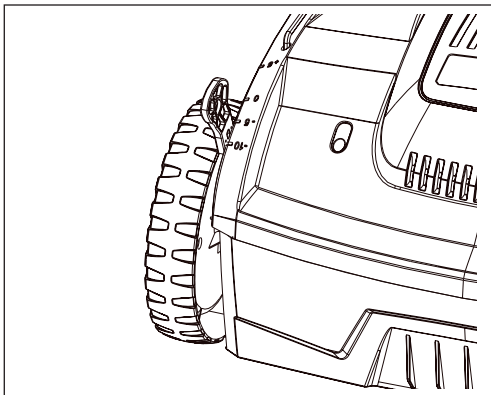
Ensure the scarifying drum with the metal blades is fitted to the machine. You can adjust the working depth with the depth adjustment lever.

Consider the weather when scarifying. Scarify the lawn with an increased depth setting between April and May, as the lawn is able to recover during these months. During a wet summer, scarify again in late summer with a decreased depth setting. Do not scarify during periods of hot weather. During a dry rainless summer, do not scarify a second time in autumn.



## Raking work

Ensure the lawn raking drum with the fine metal tines is fitted to the machine. You can adjust the working depth with the depth adjustment lever. In order for a healthy lawn to develop in the spring, it is necessary for greater amounts of air to penetrate the area around the roots of the grass. We recommend aerating the lawn every 4-6 weeks depending on the state of your lawn.



## NOTE: Overload protection

The overload protection will be activated in the following circumstances:

- 1) A build up of scarified material around the cutting device.
- 2) If the material scarified is larger than the motor capacity.
- 3) Where there is too much resistance against the cutting device.

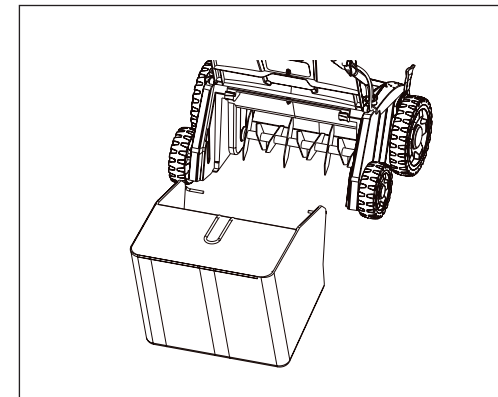
When the circuit breaker has been activated, switch off the product and disconnect from the power supply.

Allow the product to cool down and eliminate the cause before using the machine again.

## Empty grass bag

For efficient use of the machine, ensure the grass collection bag is emptied at regular intervals and does not become too full.

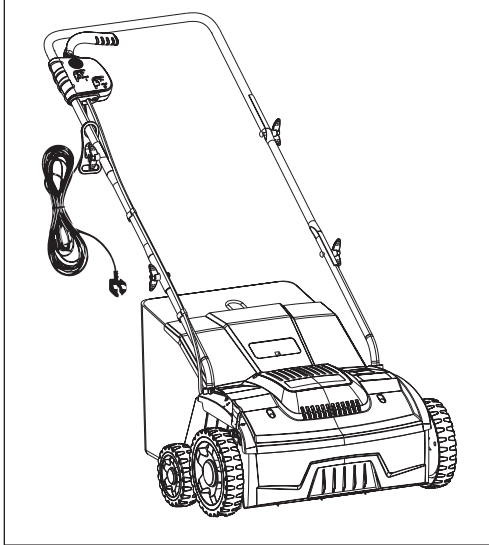
1. Open the deflector guard, and align the hooks on the grass bag with the hinges to hang it onto.
2. Empty the grass bag frequently during use. Do not wait until it is completely full. We recommend emptying it when it is half full.
3. Lift the deflector guard and pull the grass bag off the hinges to remove it.
4. Empty the collected material onto a compost heap and reattach it onto the machine.



# Maintenance and Repair

## 1. Clean machine body

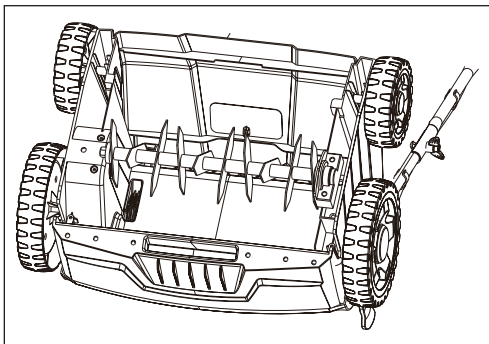
To ensure longevity, the machine should be regularly cleaned using a clean cloth; paying particular attention to the deflector guard, handles and switch box.



## 2. Clean scarifying cylinder with blades

When finished, the cylinder blade and underside of the machine body should be cleaned with a clean cloth or stiff brush, ensuring dirt and grass does not build up over time.

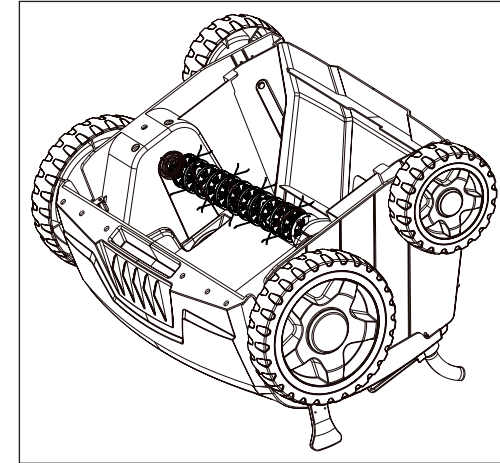
Always wear suitable gloves when handling the blade.



## 3. Clean raking cylinder with fine needles

When finished, the lawn rake tines and underside of the machine body should be cleaned with a clean cloth or stiff brush, ensuring dirt and grass does not build up over time.

Always wear suitable gloves when handling the drum.



## 4. Storage

Always store the machine in a dry place and, if possible, in the original packaging.

All screws should be regularly cleaned and oiled.

## 5. Consumable parts

Parts Number	Accessories
L1710033	Cutting device (scarifying cylinder)
L1710034	Cutting device (raking cylinder)

# Troubleshooting

## Troubleshooting



**WARNING! Only perform the steps described within these instructions! All further inspection, maintenance and repair work must be performed by an authorised service centre or a similarly qualified specialist if you cannot solve the problem yourself!**

Suspected malfunctions, disturbances or damages are often due to causes that the user can resolve themselves; therefore, check the product issues using this section. In most cases, the problem can be solved quickly.

Fault	Possible Cause	Solution
Product does not start	<ol style="list-style-type: none"> <li>Not connected to power supply</li> <li>Power cord or plug defective</li> <li>Other electrical defect to the product</li> <li>Lock-off button not pressed</li> </ol>	<ol style="list-style-type: none"> <li>Connect to power supply</li> <li>Check by a specialist electrician</li> <li>Check by a specialist electrician</li> <li>Press lock-off button first, then the start/stop lever</li> </ol>
Product does not reach full power	<ol style="list-style-type: none"> <li>Power source (e.g. generator) has too low voltage</li> <li>Air vents blocked</li> </ol>	<ol style="list-style-type: none"> <li>Connect to another power source</li> <li>Clean the air vents</li> </ol>
Power result	<ol style="list-style-type: none"> <li>Cutting device is dull/damaged</li> <li>Scarified material exceeds capacity</li> <li>Scarifying depth is incorrect</li> </ol>	<ol style="list-style-type: none"> <li>Replace</li> <li>Only scarify materials according to capacity of the product</li> <li>Adjust depth</li> </ol>

# Technical Data

## Technical Data Table

Property	Value
Model no.	DT5310
Rated voltage	220-240V~50Hz
Power input power	1400W
No-load speed	5000/min
Max. cutting width	32cm
Working height setting	5 adjustments (-10/-5/0/5/10mm)
Grass catcher bag	30L
Vibration	3.591m/s <sup>2</sup> K=1.5m/s <sup>2</sup>
Measured sound pressure level L <sub>PA</sub>	84.5dB(A) K=3dB(A)
Measured sound power level L <sub>WA</sub>	97.9dB(A) K=3dB(A)
Guaranteed sound power level L <sub>WA</sub>	103dB(A)
Protection class	II / □
Degree of protection	IPX4
Machine weight	10.8KG
Cable length	10m

The sound intensity level for the operator may exceed 80 dB(A) and ear protection measures are necessary.

The declared vibration value has been measured in accordance with a standard test method and may be used for comparing one product with another. The declared vibration value may also be used in a preliminary assessment of exposure.



**WARNING! Depending on the actual use of the product, the vibration values can differ from the declared total! Adopt proper measures to protect yourself against vibration exposures! Take into consideration the whole work process, including times the product is running under no load or switched off. Proper measures include, among others, regular maintenance and care of the product and cutting attachments, keeping hands warm, periodical breaks and proper planning of work processes!**

## HAWS safety



**WARNING!** This equipment may cause Hand-Arm Vibration Syndrome (HAWS) if its use is not adequately monitored and managed.

Preventative measures include, among others, regular maintenance and care of the product and cutting attachments, keeping hands warm and periodical breaks, as well as proper planning of work processes.

## Disposal

The product and its accessories are made of various recyclable materials. Dispose of the product in accordance with your local recycling regulations, not with household waste.

## Getting Help

Our dedicated UK-based customer helpline is open 7 days a week to assist you with assembly, parts queries and technical support. We are open during office hours but you can always send an email via **support@coreservice.co.uk**. Our experts are here to get you back enjoying your garden in no time.

For useful assembly, starting and maintenance videos, and for ordering spares, please visit **www.coreservice.co.uk**.

Calling our service does not affect your statutory rights.

## Warranty

This product is covered by a 2 year warranty.

The warranty covers any manufacturing defect in materials, workmanship and finish.

Any claim under this warranty must be made by going to your nearest Homebase store, taking your proof of purchase with you, and claims must be made within 2 years of the date of purchase.

We will offer you a free repair of the item where this is possible, or a replacement or a refund. Your statutory rights remain unaffected, in particular any rights you may have under the Consumer Rights Act 2015.

This warranty is given by HHGL Limited, MK9 1BA; HHGL (ROI) Limited, D02 X576.

Please note: This warranty does not apply to products misused or neglected and only covers domestic use. It does not apply to commercial use of the product.