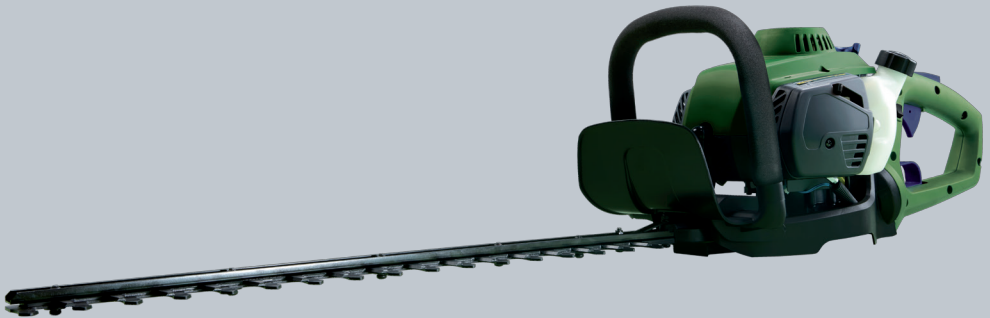


POWERBASE

55cm 26cc Petrol
Hedge Trimmer 577158

Instruction Manual

IMPORTANT!
Please read these
instructions fully before
starting assembly.



These instructions contain important information that will help you get the best from your product, ensuring it is assembled correctly and safely. If you need help or have damaged or missing parts, call the Customer Helpline on 01904 727 509.

Contents

General safety warnings	3
Intended use	13
Warning symbols	14
In the box	16
Preparing to operate the hedge trimmer	17
Operate the hedge trimmer	18
Stopping	21
Cleaning the air filter	21
Replacing the spark plug	22
Maintenance and storage	23
Troubleshooting	25
Technical data	27
Disposal	28
Getting help	28
Warranty	28

General Safety Warnings

Safety warnings



WARNING! Read all safety warnings and instructions designated by the symbol. Save all warnings and instructions for future reference.

- Always ensure anyone intending to operate this machine is fully conversant with the contents of this instruction manual prior to assembling, maintaining or operating the machine.
- Perform assembly operations as described in this manual. Failure to observe this warning may lead to serious injury, death, or damage to the machine.
- Always take care when removing the packaging, to prevent damage to you or to the machine.

IMPORTANT! Before assembling the machine, check all the parts indicated in the manual are in the box. Inspect all the parts for signs of damage. Do not assemble the machine if you observe any damaged components.

General safety

- Keep these instructions in a safe place for reference at a later date.
- Read the instructions carefully. Be familiar with the controls and the proper use of the equipment.
- Never allow children or people unfamiliar with these instructions to use the hedge trimmer. Local regulations can restrict the age of the operator.
- Never operate while people, especially children or pets, are nearby. Keep in mind that the operator or user is responsible for accidents or hazards occurring to other people or their property.
- This trimmer is not intended for use by persons (including children) with reduced physical, sensory or mental capabilities, or lack of experience and knowledge, unless they have been given supervision or instruction concerning the use of the appliance by a person responsible for their safety.
- Do not touch the blade.

Personal safety

- Never start or run the engine in a closed or poorly-ventilated area; breathing exhaust fumes can kill.
- Clear the work area before each use. Remove all objects, such as rocks, broken glass, nails, wire, or other such

debris, which can be thrown or become entangled in the cutting line or blade.

- Wear Personal Protective Equipment (PPE), such as safety glasses or goggles, when operating this unit.
- Wear heavy, long trousers, boots, and gloves. Do not wear loose fitting clothing, shorts, or go barefoot.
- Do not wear jewellery of any kind.

Operation safety

- **Be careful about the environmental conditions you work under.** When starting the motor, it will produce toxic gases. The gas can be invisible and odourless; therefore, you should never operate the machine in an enclosed or poorly-ventilated area.
- **When trimming, ensure that the area is well lit.** If you are trimming when it is raining, snowing or freezing on slopes, or on uneven terrain, make sure you have a stable position.
- **Don't leave the machine unattended.** People, especially children and the infirm, should be kept at a safe distance from your workplace. Make sure that other people cannot access an unattended machine.
- **Ensure safe tool storage.** Machines that are not in use should be stored in a dry place, high up if possible, or they should be locked away so that other people cannot gain access to them.

- **Hedge trimmer transport.** The hedge trimmer is transported with a blade protection cover. When not in use, replace this cover to prevent accidents. Secure the machine against tilting, damage and fuel leakage.
- **Remove tool keys.** Before switching the hedge trimmer on, remove all keys, etc.
- **Always be careful and watch what you are doing.** When working, use common sense. Do not use machinery if you are tired. Do not use the hedge trimmer under the influence of alcohol, drugs or medicines that lower the ability to concentrate.
- **Fuel replenishment.** Before refuelling, switch off the engine. Carefully open the fuel cap so that excess pressure can escape slowly, and the fuel does not splash. The use of the trimmer results in high temperatures. Let the machine cool down before refuelling, otherwise the fuel could ignite, and people could get burnt. When refuelling, make sure the fuel tank is not over filled, to allow room for expansion. If the fuel leaks, it is important to wipe up any leaked fuel and clear the machine. After refuelling, ensure the fuel cap is sufficiently tight to prevent being loosened by the vibrations when the machine is in use.
- **Usage period and breaks.** After a longer period of usage, you might experience problems with blood circulation in your hands due to the vibrations. The period of usage can be extended by wearing

suitable gloves and taking regular breaks. Please be aware that the time of usage is lowered by personal dispositions to bad circulation, a low outside temperature, or a firm grip of the tool when working.

- **Watch for damaged parts.** The machine should be carefully inspected before use. Are any of the parts damaged? In case of slight damage, consider if the machine is still going to work safely and without any problems. Make sure it is properly adjusted and movable parts are properly regulated. Are any elements interlocked improperly? Is everything well installed? Are all requirements for trouble-free operation fulfilled? Damaged protective devices, etc., must be repaired or replaced by the authorised service centres, unless expressly stated otherwise in the manual. Faulty switches should also be replaced in the authorised service centre. If you need to have your machine repaired, contact your nearest store.
- Make sure that the protective cover of the hedge trimmer works perfectly, and it is installed in such a way that the blade teeth are always covered.
- Before adjustments or machine maintenance, switch off the engine. This is valid mainly if the cutting blade is being replaced.
- Use only approved components. Use only identical spare parts. Contact your authorised service centre for this purpose.



Caution! Using different cutting blades, and other fixtures and extensions that are expressly not recommended, can endanger people and property.



WARNING! The cutting blade can hurt your hands and fingers, and cause life-threatening injuries!

The manufacturer cannot be liable if the machine was modified or used unprofessionally, and damage arose as the result of these actions.

When handling the machine professionally, there is always some risk that cannot be eliminated. The machine type and construction might present the following potential risks:

- A. Contact with an unprotected cutting blade (danger of cutting yourself).
- B. Touching the trimmer in operation (danger of cutting yourself).
- C. Unexpected, sudden movements of the cut material and its parts (danger of cutting yourself).
- D. Spurning of faulty blade teeth and parts of the cutting blade (danger of cutting yourself).
- E. Hearing injuries, if appropriate safety aids are not worn.
- F. Creation of harmful dust or gas when using the machine in closed premises (breathing difficulties/sickness).

G. Do not use deformed or damaged cutting blades (cutting blade destruction).

- Switch off the engine before you start adjusting or maintaining the machine.
- Make this instruction manual available to everybody who is working with the machine.
- Use this machine only for trimming hedges, foliage, and cutting wood, max. 22mm.
- Do not use trimmers in the vicinity of flammable fluid or gas.
- Have the trimmer repaired in an authorised service centre. Do not attempt to repair it yourself.
- Repairs and part replacements can be carried out only by an authorised service centre.
- Keep your workplace clean. Remove trimmed waste and clear away objects you no longer require.
- Ensure a good foothold; be careful not to stumble in the vicinity of the trimmer.
- The person working with the machine should not get disturbed.
- Inspect the blades before use. They should be well sharpened, without cracks, kinks, or deformations.
- Faulty cutting blades should be replaced immediately.
- Never use cutting blades that do not correspond with the technical data stated in this instruction manual.

- Make sure the cutting blade is installed in the right position.
- The machine's protective device cannot be disassembled or made dysfunctional in any way.
- Damaged or faulty protective devices should be replaced immediately.
- Ensure that the hedge trimmer is correctly located in a designated working position before starting the engine.
- While operating the hedge trimmer, always ensure that the operating position is safe and secure, especially when using steps or a ladder.
- Always be aware of your surroundings and stay alert for possible hazards, which you may not be aware of due to the noise of the hedge trimmer.
- At regular intervals, check all screws, nuts and fittings are tight enough.
- Never deposit tools or materials above the machine so that they could fall down on it.
- Make sure your hands are in the right positions, e.g. make sure they cannot slide and suddenly come in contact with the cutting blade.
- The material you want to cut should not include nails or other similar foreign matters.
- Do not overload the machine otherwise it will slow down and get overheated.
- Never attempt to remove loose trimmings or wood fragments or jammed material when the machine is working.

- If you want to remove some defects or clean the machine of jammed pieces of wood, you must switch it off first.
- Machine adjustment, measuring, cleaning, etc., is allowed only when the engine is switched off.
- Do not leave an active engine unsupervised.
- After a repair or maintenance of safety or protective devices, the devices must be reinstalled correctly in the machine.
- It is essential to know the regulations regarding accident prevention that are valid in a specific workplace, and all other generally acknowledged safety regulations.
- When working, pay attention to stability and maintain good balance.
- Check the machine on a regular basis for signs of wear and damage.
- Before using the machine, you must check safety devices. Make sure that components that might seem slightly worn or damaged still perform correctly.
- Check if all movable parts work perfectly. Concentrate mainly on the damaged and jammed components. All components must be installed properly and must comply with conditions for trouble-free operation.
- Unless stated otherwise in the instruction manual, the damaged switches and safety devices should be repaired or replaced in an authorised service centre.

- The machine complies with all relevant safety provisions. Repairs can be carried out only by qualified repair staff in authorised centres using original spare parts. In case of non-compliance with the provision, there is a danger of accident.
- Do not use the hedge trimmer if your concentration is lowered, after taking medication, if you are under the influence of alcohol, or are tired.
- The machine can be used only for the intended purpose. Any machine usage at variance with its intended purpose is considered non-compliant usage.
- The user is liable for the damage caused to property and injuries resulting from this non-compliant handling, and not the manufacturer.

Maintenance and storage

- Keep all nuts, bolts and screws tight, to be sure the equipment is in safe working condition.
- Never store the equipment with petrol in the tank inside a building where fumes can reach an open flame or spark.
- Allow the engine to cool before storing in any enclosed space.
- To reduce the fire hazard, keep the engine, silencer, battery compartment and petrol storage area free of hedge trimmings, leaves, or excessive grease.

- Replace worn or damaged parts for safety.
- If the fuel tank has to be drained, it should be done outdoors.

Intended Use

Your hedge trimmer has been designed for trimming light foliage, and is intended for DIY use only.

The device is not permitted to be used in public gardens, parks, sports centres or at roadsides, as well as agriculture and forestry. Use in any other way is considered contrary to the intended use. Compliance with the operation, service and repair (as specified in this instruction manual) also constitutes essential elements of the intended use.

Warning Symbols



IMPORTANT!

Please read all of the safety and operating instructions carefully before using this tool. Pay particular attention to all sections of this user guide that carry warning symbols and notices.



WARNING!

This is a warning symbol. This symbol is used throughout the user guide whenever there is a risk of personal injury. Ensure that these warnings are read and understood at all times.



The product complies with the applicable European directives, and an evaluation method of conformity for these directives was done.



The exhaust gas is poisonous and asphyxiating. If inhaled, it may even be lethal. Do not operate the engine in closed or poorly-ventilated places.



Petrol and petrol vapours are extremely flammable.



Hot surfaces = burns to fingers or hands. To prevent burns, do not touch.



Cutting of fingers or hand. Keep fingers and hands away from the moving cutting device!



Wear hearing protection and eye protection (PPE) when using the device.



Wear robust footwear when using the device.



Wear protective gloves when using the device.



Guaranteed sound power level.



'I' means ON

'STOP' means OFF



Choke. Move choke lever to the 'RUN' position.
See the Starting and Stopping Engine Section.



Choke. Move choke lever to the 'CHOKE' position.
See the Starting and Stopping Engine Section.

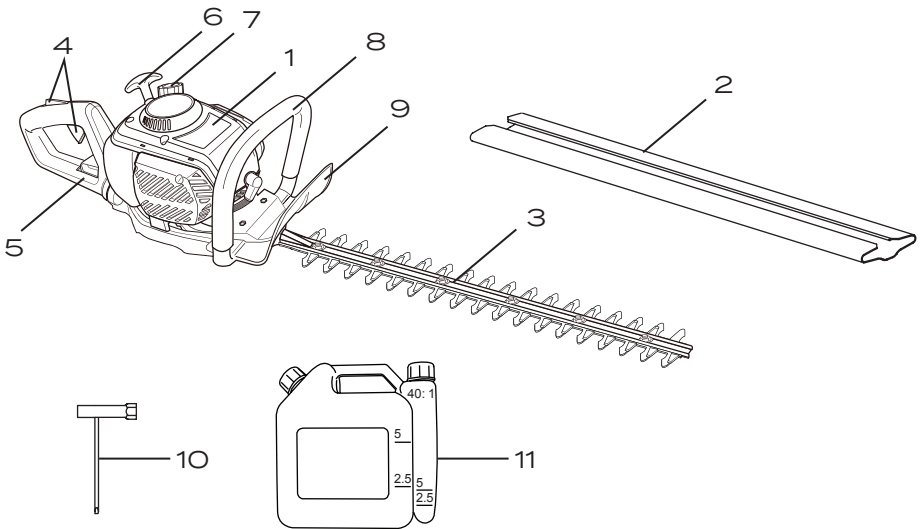
In The Box

Parts

1. Hedge trimmer
2. Blade cover
3. Trimmer blade
4. Switch
5. Handle rotating switch
6. Engine start pull handle
7. Fuel tank cap
8. Front handle
9. Front guard

Tools

10. Plug wrench and Phillips screwdriver x 1
11. Mixing bottle



You will also need:

- 2-stroke oil - Unleaded fuel - Funnel

If there are any parts missing, please call the customer helpline on 01904 727 509.

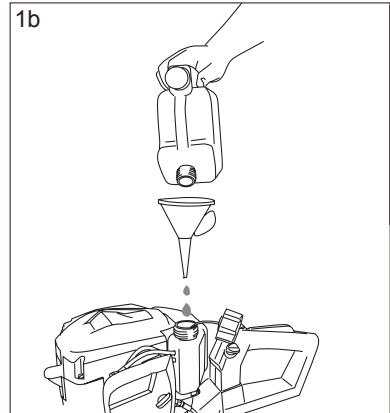
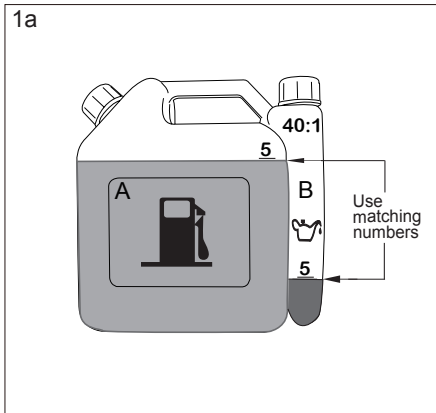
Preparing to Operate the Hedge Trimmer



WARNING!

Always shut off the engine before fuelling. Never add fuel to a machine with a running or hot engine. Move at least 30ft. (9m) from the refuelling site before starting the engine. Do not smoke!

IMPORTANT! It is crucial that the fuel is mixed correctly. Wrongly mixed fuel can cease the engine and void the warranty. Carefully read these instructions and use the supplied bottle for mixing. When filling the mixing bottle, use a funnel while keeping the bottle flat, to ensure a good reading.



This product is powered by a 2-stroke engine and requires pre-mixing of petrol and 2-stroke oil.

Mix a high quality 2-stroke engine oil according JASO FC classic. Do not use automotive oil or 2-cycle outboard oil. DO NOT mix quantities larger than usable in a 30-day period.

1a. FUEL MIXTURE: 1 Litre (1000ml) petrol and 25cc (25ml) 2-stroke engine oil (40:1 ratio)

Using the markings under the label 40:1 on the bottle and pour the fuel in the left hand side (A) up to the required level, e.g. 2.5 or 5, then fill the right hand side (B) up to the same corresponding mark with oil. Please ensure that no fuel has leaked into B prior to pouring in oil. Shake vigorously to mix the two products prior to pouring into the tank of the hedge trimmer.

NOTE: Use 5 for 500ml fuel mixture and 2.5 for 250ml fuel mixture.

1b. FILLING THE FUEL TANK

Clean the surface around the fuel cap to prevent contamination. Loosen the fuel cap slowly.

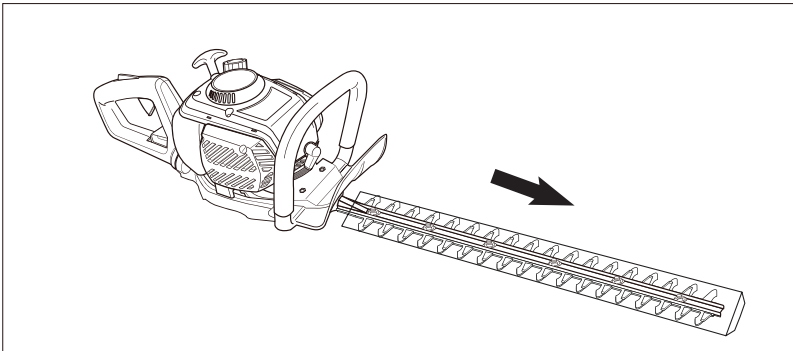
Remove and rest the cap on a clean surface. Carefully pour fuel into the tank using a funnel to avoid spillage. Prior to replacing the fuel cap, clean and inspect the seal located in the fuel cap. Immediately replace the fuel cap and hand tighten. Wipe up any fuel spillage.

NOTE: It is normal for smoke to be emitted from a new engine after first use.

Operate the Hedge Trimmer


Step 1 - Removing the blade protector


Carefully slide off the blade protector.



Step 2 - Starting the engine

2a To start a cold engine


- 1) Set the stop switch (A) into the I (on) position. If starting a cold engine, the choke lever (F) must be moved to the  position.
- 2) Press the primer bulb 5-6 times so the fuel can be pumped into the carburettor. This will reduce the number of start attempts after a longer break.
- 3) Now stand the hedge trimmer on the ground, placing the left hand on the top cover. Use your right hand to quickly pull the starter grip (B) 3-4 times; the engine would normally not start at this stage.










- 4) Move the choke lever (F) to the  position.
- 5) Pull the starter grip until the engine runs.
- 6) Let it run for about 30 seconds then operate the hedge trimmer.

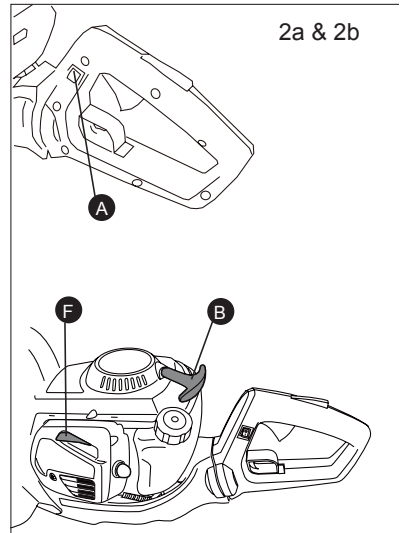


ATTENTION! Don't touch the blade.

2b Starting under warm conditions

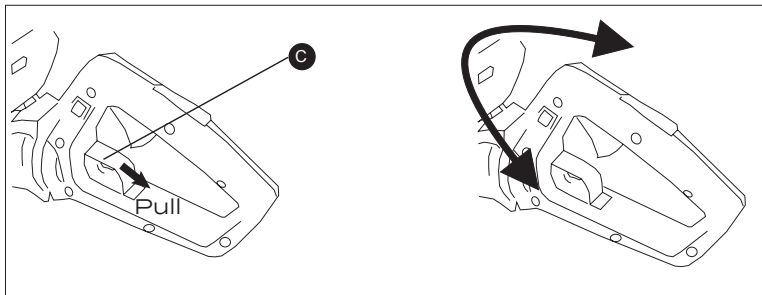
- 1) Set the switch (A) to I (on).
- 2) Set the choke lever (F) to .
- 3) Quickly pull the starter grip (B) until the engine runs.

	Cold	Hot
1 Set START/STOP switch to START position		
2 Press primer bulb 5-6 times		
3 FULL CHOKE		
4 Pull cord 3-4 times so that motor turns over (the engine may start)		
5 RUN position		
6 Pull cord until the motors runs		



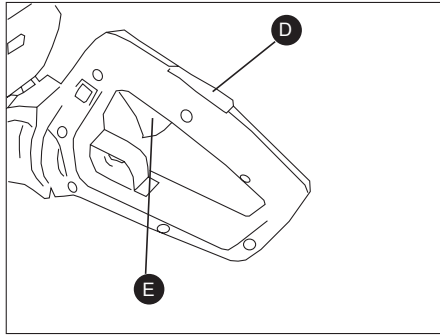
Step 3 - Change rear handle position

Pull the handle lock switch (C) to enable rotation of the handle. There are three working positions (0°, 90°, -90°).



Step 4 – Trimming

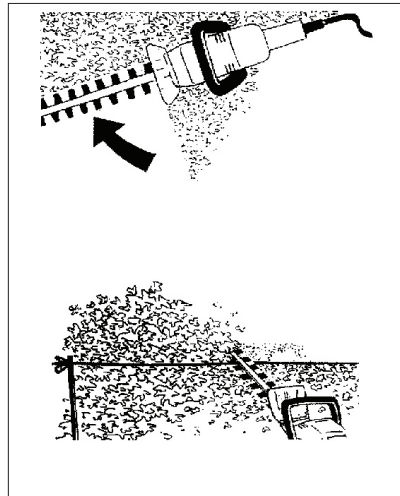
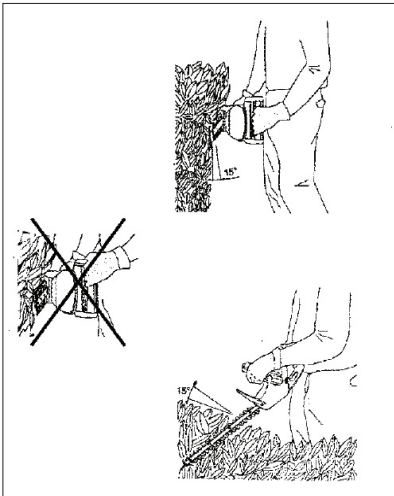
Depress the throttle lever lock (D) and throttle lever (E) to activate the blade.



Always start with the sides of the hedge. Guide the trimmer along an arch route up and down and keep cutting. You should be using both blade sides.

When cutting, hold the hedge trimmer at the angle of about 15° and guide it horizontally across the hedge. When cutting the top part, guide the trimmer in a sickle like movement toward the hedge edges. Cut branches will then fall on the ground.

- Do not cut hedges out of the main trimming and pruning season.
- If the branches are bigger than 22mm, they must be removed by pruning shears.
- If heavy pruning is required, you should work in stages.



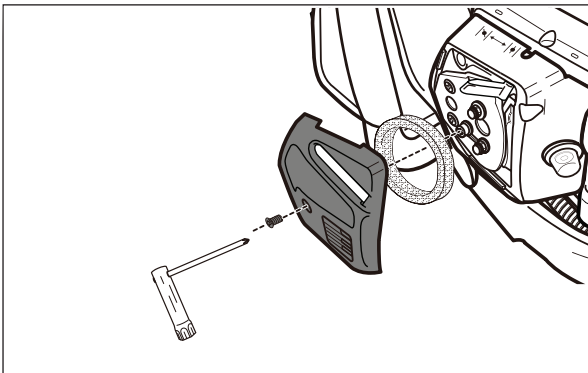
Stopping

The hedge trimmer is equipped with an automatic brake system for quick stopping, which stops the blade immediately once the throttle is released to prevent a possible accident.

If you want to switch off the machine completely, you must move the switch into the 'STOP' position.

Cleaning the Air Filter

- 1) Loosen the screw from the air filter housing and remove the cap.
- 2) Remove the air filter.
- 3) Wash the air filter in warm water (with a small amount of detergent).
- 4) Rinse the air filter through with clean water.
- 5) Leave the air filter to dry out completely.
- 6) Replace the air filter.
- 7) Replace the cover with the lugs positioned in the notches in the air filter casing.
- 8) Close the lid, and tighten the bolt again by screwdriver.

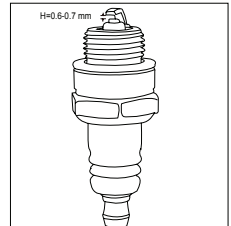
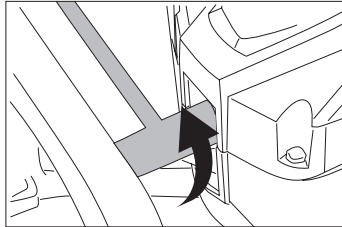
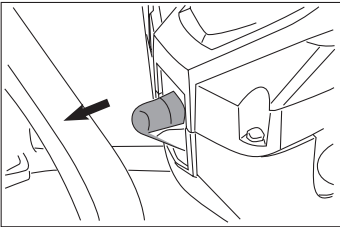


Replacing the Spark Plug



WARNING! Always turn off the engine before performing maintenance tasks.

- 1) Pull off the ignition cable plug.
- 2) Use the plug wrench to unscrew and remove the spark plug.
- 3) Insert a new spark plug and tighten it carefully with the plug wrench.
- 4) Snap the ignition cable plug back on.



Maintenance and Storage

Storing the hedge trimmer for short periods

- Drain all fuel from the tank into a container approved for petrol. Run the engine until it stops. Clean all foreign material from the trimmer. Store it in a well-ventilated place that is out of the reach of children.
- Keep away from corrosive agents, such as garden chemicals and de-icing salts.
- Abide by all ISO and local regulations for the safe storage and handling of petrol. Excess fuel should be used up in other 2-stroke engine-powered equipment or disposed of at your local recycle centre.
- Remove any coarse dirt.
- Wipe the machine with a soft, damp cloth.

Storing the hedge trimmer for extended periods

- All the above plus: Clean the air filter and replace the spark plug with an exact replacement.

Maintenance schedule

Performing routine maintenance correctly on your hedge trimmer will ensure you get years of trouble-free use. Please keep this manual safe for future reference.

It is recommended that the following maintenance schedule is adhered to. This will ensure the hedge trimmer operates correctly and is safe to use.

	12 hours of use	24 hours of use	36 hours of use
Air filter	clean	clean	replace
Spark plug	check	clean	replace

Blade lubrication

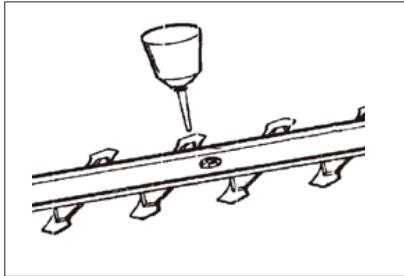


WARNING!

Always switch off the hedge trimmer and remove the spark plug before carrying out any maintenance work.

Only clean the machine after it has been switched off. Use only mild soap and a damp cloth to clean it. Never allow fluid to get into the machine. Do not use caustic cleaning products.

Ensure that the blades cutting edge is always well oiled.



List of consumable Powerbase parts

984125	Air filter
984002	Spark plug
984168	Fuel filter

Troubleshooting



CAUTION!

- Always switch off the engine and pull the ignition cable before starting any inspection or adjustment work.
- Remember that the exhaust and other parts will get hot after running the engine, even if only for a few minutes.

The following table provides solutions to common problems encountered with the hedge trimmer.

Fault	Possible Cause	Solution
Engine not starting	<ol style="list-style-type: none">1. Empty tank2. Flooded engine3. Fouled spark plug (remains of carbon on the electrodes)4. Electrode gap too large5. Fouled carburettor or its jets6. Damaged spark plug connection or damaged spark plug	<ol style="list-style-type: none">1. Fill up2. Close the throttle, pull cord several times. If required, take out the spark plug and dry it3. Clean the spark plug, check its temperature, replace if needed4. Adjust at 0.6-0.7mm5. Clean the carburettor with air6. Replace the spark plug
Engine runs too fast when idle	<ol style="list-style-type: none">1. Cold engine	<ol style="list-style-type: none">1. Warm up slowly; alternatively, close the choke a bit

<p>Engine does not reach its maximum speed</p>	<ol style="list-style-type: none"> 1. Fouled spark plug (remains of carbon on the electrodes) spark gap to large 2. Fouled carburettor or its jets 3. Fouled air filter 4. Exhaust, exhaust channel 5. Sealing ring in crankcase not sealing properly 6. Worn cylinders, pistons and piston rings 7. Wrong fuel mix (too much oil) 8. Bad ignition 	<ol style="list-style-type: none"> 1. Clean the spark plug, check its temperature, replace if needed. Adjust at 0.6-0.7mm 2. Clean the carburettor with air 3. Clean 4. Take out the exhaust and clean it, remove remains of carbon 5. Replace 6. Replace the cylinder, piston or piston rings, replace the cylinder and piston, assembly 7. Fill up according to the instructions 8. Adjust the ignition coil gap (0.3-0.4mm)
<p>Engine would not stop</p>	<ol style="list-style-type: none"> 1. The switch has failed 2. The wiring terminal was disconnected 	<ol style="list-style-type: none"> 1. Change the switch 2. Connect up the wiring terminal

Technical Data

Property	Value
Model no.	SLK26B
Engine type	Single-cylinder, 2-stroke
Displacement (cc)	26cm ³
Max. power/engine speed	0.75 kW/8000 min ⁻¹
Tank capacity	460ml
Idle speed	3000min ⁻¹
Clutch speed	4000min ⁻¹
Ignition	C.D.I
Cutting length	550mm
Fuel ratio (petrol: 2-stroke engine oil)	40:1
Net weight	5.3kg
Sound pressure level L _{PA} (dB)	94.6 dB(A) K=3 dB(A)
Sound power level L _{WA} (dB)	105.6 dB(A) K=2.04 dB(A)
Guaranteed sound power level L _{WA} (dB)	108 dB(A)
Vibration (m/s ²)	Front handle 7.152m/s ² ; Rear handle 3.378m/s ² Uncertainty 1.5M/S ²
Spark type	Torch L8RTC

The declared vibration value has been measured in accordance with a standard test method and may be used for comparing one tool with another. The declared vibration value may also be used in a preliminary assessment of exposure.

For health & safety reasons, please insert the HAVS copy, below and attached.



WARNING! This tool may cause Hand-Arm Vibration Syndrome (HAVS) if its use is not adequately monitored and managed.

Preventative measures include, among others, regular maintenance and care of the product and cutting attachments, keeping hands warm and periodical breaks, as well as proper planning of work processes.

Disposal

The hedge trimmer and its accessories are made of various recyclable materials. Dispose of the hedge trimmer in accordance with your local recycling regulations.

Getting Help

Our dedicated UK-based customer helpline is open 7 days a week to assist you with assembly, parts queries and technical support. We are open during office hours but you can always send an email via **support@coreservice.co.uk**. Our experts are here to get you back enjoying your garden in no time.

For useful assembly, starting and maintenance videos, and for ordering spares, please visit **www.coreservice.co.uk**.

Calling our service by 01904 727509 does not affect your statutory rights.

Warranty

This product is covered by a 2-year warranty.

The warranty covers any manufacturing defect in materials, workmanship, and finish.

Any claim under this warranty must be made by going to your nearest Homebase store, taking your proof of purchase with you. Claims must be made within 2 years of the date of purchase.

We will offer you a free repair of the item where this is possible, or a replacement or a refund. Your statutory rights remain unaffected, in particular, any rights you may have under the Consumer Rights Act 2015.

This warranty is given by HHGL Limited, MK9 1BA, HHGL (ROI) Limited, DO2 X576.

PLEASE NOTE: This warranty does not apply to products misused or neglected, and only covers domestic use. It does not apply to commercial use of the product.