

POWERBASE

52cm 40V Cordless
Hedge Trimmer 577166

Instruction Manual

IMPORTANT!
Please read these
instructions fully before
starting assembly.



These instructions contain important information that will help you get the best from your product, ensuring it is assembled correctly and safely. If you need help or have damaged or missing parts, call the Customer Helpline on 01904 727 509.

Contents

General safety warnings	3
Intended use	15
Warning symbols	15
In the box	18
Operating the hedge trimmer	21
Maintenance and storage	24
Troubleshooting	25
Technical data	25
Disposal	27
Getting help	27
Warranty	27

General Safety Warnings

General power tool safety warnings



WARNING! Read all safety warnings and instructions.

Failure to follow the warnings and instructions may result in electric shock, fire and/or serious injury.

Save all warnings and instructions for future reference.

The term 'power tool' in the warnings refers to your mains-operated (corded) power tool or battery-operated (cordless) power tool.

Work area safety

- **Keep the work area clean and well lit.** Cluttered or dark areas invite accidents.
- **Do not operate power tools in explosive atmospheres,** such as in the presence of flammable liquids, gases or dust. Power tools create sparks which may ignite the dust or fumes.
- **Keep children and bystanders away while operating a power tool.** Distractions can cause you to lose control.

Personal safety

- **Stay alert, watch what you are doing and use common sense when operating a power tool. Do not use a power tool while you are tired or under the influence of drugs, alcohol or medication.** A moment of inattention while operating power tools may result in serious personal injury.
- **Use Personal Protective Equipment (PPE). Always wear eye protection.** Protective equipment, such as a dust mask, non-skid safety shoes, hard hat, or hearing protection used for appropriate conditions, will reduce personal injuries.
- **Prevent unintentional starting. Ensure the switch is in the off-position before connecting to a power source and/or battery pack, picking up or carrying the tool.** Carrying power tools with your finger on the switch or energising power tools that have the switch on invites accidents.
- **Remove any adjusting key or wrench before turning the power tool on.** A wrench or a key left attached to a rotating part of the power tool may result in personal injury.
- **Do not overreach. Keep proper footing and balance at all times.** This enables better control of the power tool in unexpected situations.

- **Dress properly. Do not wear loose clothing or jewellery. Keep your hair, clothing and gloves away from moving parts.** Loose clothes, jewellery or long hair can be caught in moving parts.

Power tool use and care

- **Do not force the power tool. Use the correct power tool for your application.** The correct power tool will do the job better and safer at the rate for which it was designed.
- **Do not use the power tool if the switch does not turn it on and off.** Any power tool that cannot be controlled with the switch is dangerous and must be repaired.
- **Disconnect the plug from the power source and/or the battery pack from the power tool before making any adjustments, changing accessories, or storing power tools.** Such preventive safety measures reduce the risk of starting the power tool accidentally.
- **Store idle power tools out of the reach of children and do not allow persons unfamiliar with the power tool or these instructions to operate the power tool.** Power tools are dangerous in the hands of untrained users.

- **Maintain power tools. Check for misalignment or binding of moving parts, breakage of parts and any other condition that may affect the power tools operation. If damaged, have the power tool repaired before use.** Many accidents are caused by poorly maintained power tools.
- **Keep cutting tools sharp and clean.** Properly maintained cutting tools with sharp cutting edges are less likely to bind and are easier to control.
- **Use the power tool, accessories and tool bits, etc. in accordance with these instructions, taking into account the working conditions and the work to be performed.** Use of the power tool for operations different from those intended could result in a hazardous situation.

Battery use and care

- **Recharge only with the charger specified by the manufacturer.** A charger that is suitable for one type of battery pack may create a risk of fire when used with another battery pack.
- **Use power tools only with specifically designated battery packs.** Use of any other battery packs may create a risk of injury and fire.

- **When the battery pack is not in use, keep it away from other metal objects, like paper clips, coins, keys, nails, screws, or other small metal objects that can make a connection from one terminal to another.** Shorting the battery terminals together may cause burns or a fire.
- **Under abusive conditions, liquid may be ejected from the battery; avoid contact. If contact accidentally occurs, flush immediately with water.** If liquid contacts the eyes, immediately seek medical help. Liquid ejected from the battery may cause irritation or burns.

Servicing

Have your power tool serviced by a qualified repair person using only identical replacement parts. This will ensure that the safety of the power tool is maintained.

Hedge trimmer safety warnings

- **Keep all parts of the body away from the cutter blade. Do not remove any cut material or hold material to be cut when the blades are moving. Make sure the switch is off when clearing jammed material.** A moment of inattention while operating the hedge trimmer may result in

serious personal injury.

- **Carry the hedge trimmer by the handle with the cutter blade stopped. When transporting or storing the hedge trimmer, always fit the cutting device cover.** Proper handling of the hedge trimmer will reduce possible personal injury from the cutter blades.
- **Keep the cable away from the cutting area.** During operation, the cable may be hidden in shrubs and can be accidentally cut by the blade.
- **Hold the hedge trimmer properly, e.g. with both hands if two handles are provided.** Hold the power tool by the insulated gripping surfaces only; the cutter blade may contact hidden wiring. Cutter blades contacting a 'live' wire may make exposed metal parts of the power tool 'live' and could give the operator an electric shock.
- **Check cutting blades regularly for damage, and if damaged repair immediately.**
- **Always ensure all handles and guards are fitted when using the tool.**
- **Do not use the trimmer when it is raining or on wet hedges.**
- **Never allow children to use the tool.**
- **Choose a stable and safe position, especially on steps.** When operating the

trimmer, take great care and always hold it firmly with both hands.

- **Make yourself familiar with your working area and be alert for possible hazards, which you might not hear due to the motor noise.**
- **Never attempt to use a damaged or incomplete tool or one fitted with an unauthorised modification.**
- **When the hedge trimmer is not in use, i.e. for transport or storage, keep it in a dry place and out of the reach of children.**
After use, the tool should be stored so that the blade is not exposed.
- **Only use original spare parts and accessories supplied with the tool or recommended by the manufacturer.**
- **Always wear suitable clothing, e.g. anti-slip shoes and unrestrictive close-fitting garments that can not get caught.**
- **Always wear safety goggles or a face guard, protective gloves and wear ear guards (PPE).**
- **Within the working area, the person using the power tool is responsible for any damage or injury sustained by third parties or their property, which has been caused by the power tool.** Watch your working area and do not allow third persons or animals to be nearby.

- **When operating the power tool, take great care and always hold it firmly with both hands.** Adopt a stable and safe position, especially on slopes.
- **Never touch the unprotected blades and never carry the trimmer by the blades.**
- **Only use original spare parts and accessories supplied with the trimmer or recommended by the manufacturer.**

General safety warnings for battery chargers



WARNING! This power tool is not intended for use by persons (including children) with reduced physical, sensory or mental capabilities, or lack of experience and knowledge, unless they have been given supervision or instruction concerning the use of the power tool by a person responsible for their safety.



WARNING! Children must be supervised to ensure that they do not play with the power tool.

- Before charging the battery, read all the instructions carefully.

- After charging, disconnect the battery charger from the mains supply. Remove the chassis connection and then the battery connection.
- Do not charge a leaking battery.
- Do not use chargers for works other than those for which they are designed and intended.
- Before charging, ensure your charger matches the local AC supply.
- For indoor use. DO NOT expose to rain. The charging device must be protected from moisture.
- Do not use the charging device in the open.
- Do not short out the contacts of the battery or charger.
- Respect the polarity (+/-) when charging.
- Do not open the unit, and keep out of the reach of children.
- Do not charge the batteries of other manufacturers or ill-suited models.
- Ensure that the connection between the battery charger and battery is correctly positioned, and is not obstructed by foreign bodies.
- Keep the battery chargers slots free of foreign objects and protect it from dirt and humidity. Store in a dry and frost-free place.
- When charging batteries, ensure that

the battery charger is in a well-ventilated area and away from flammable materials. Batteries can get hot during charging. Do not overcharge any batteries. Ensure that batteries and chargers are not left unsupervised during charging.

- Do not attempt to recharge non-rechargeable batteries, as they can overheat and break.
- Longer life and better performance can be obtained if the battery pack is charged when the air temperature is between 18°C and 24°C. Do not charge the battery pack in air temperatures below 0°C or above 45°C. This is important as it can prevent serious damage to the battery pack.
- Only charge a battery pack of the same model provided by the manufacturer or different models recommended by them.

Safety warnings for battery packs

- Do not dismantle, open or shred cells or battery packs.
- Do not short-circuit a battery pack. Do not store battery packs haphazardly in a box or drawer where they may short circuit each other, or be short-circuited by conductive materials. When the battery pack is not in use, keep it away from other metal objects, like paper clips, coins, keys, nails, screws or other small metal objects that can make a

connection from one terminal to another. Shorting the battery terminals together may cause burns or a fire.

- Do not expose the battery pack to heat or fire. Avoid storing in direct sunlight.
- Do not subject the battery pack to mechanical shock.
- In the event of battery leakage, do not allow the liquid to come into contact with the skin or eyes. If contact has been made, wash the affected area with copious amounts of water and seek medical advice.
- Seek medical advice immediately if a cell or battery pack has been swallowed.
- Keep the battery pack clean and dry.
- Wipe the battery pack terminals with a clean, dry cloth if they become dirty.
- The battery pack needs to be charged before use. Always refer to this instruction manual and use the correct charging procedure.
- Do not keep the battery pack on charge when it is not in use.
- After extended periods of storage, it may be necessary to charge and discharge the battery pack several times to obtain maximum performance.
- The battery pack gives its best performance when it is operated at normal room temperature ($20^{\circ}\text{C} \pm 5^{\circ}\text{C}$).

- When discharging several battery packs, keep battery packs of different electrochemical systems separate from each other.
- Recharge only with the charger specified by the manufacturer. Do not use any charger other than that specifically provided for use with the equipment. A charger that is suitable for one type of battery pack may create a risk of fire when used with another battery pack.
- Do not use any battery pack which is not designed for use with the equipment.
- Keep the battery pack out of the reach of children.
- Retain the original product literature for future reference.
- Remove the battery from the equipment when it is not in use.
- Dispose of safely in an environmentally-friendly manner. Not with domestic, household waste.

Intended use

This Li-ion cordless hedge trimmer is intended for trimming hedges, bushes and shrubs. Observe the technical data for the maximum cutting capacity. Do not cut non plant material or branches exceeding the stated maximum capacity. For safety reasons, it is essential to read this entire instruction manual before first operation and to observe all the instructions herein. This product is intended for private domestic use only, not for any commercial trade use. It must not be used for any purposes other than those described in this manual.

Warning symbols on the power tool



WARNING!



Conforms to all relevant safety standards.



To reduce the risk of injury, the user must read the instruction manual.



Wear eye protection (PPE).



Wear ear protection.



Wear a dust mask.



DANGER! Keep hands away from the blades.



Do not operate or expose the product to rain or wet conditions.



Guaranteed sound power level in 94dB.



Keep bystanders away.



Remove the battery pack before any adjustment or maintenance.



WEEE symbol. Waste electrical products should not be disposed of with household waste. Please recycle where facilities exist. Check with your local authority or local store for recycling guidelines.

Warning symbols on the charger



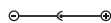
Before use, carefully read through the user manual.



The charger is for indoor use only.



Class II equipment.



Pole orientation.



Protective 5A limited.

Warning symbols on the battery



Do not dispose of batteries in rivers or immerse in water.



Do not subject the battery to strong sunlight over long periods, and do not leave it on a heater (max. 45°C).



Do not throw on fire.

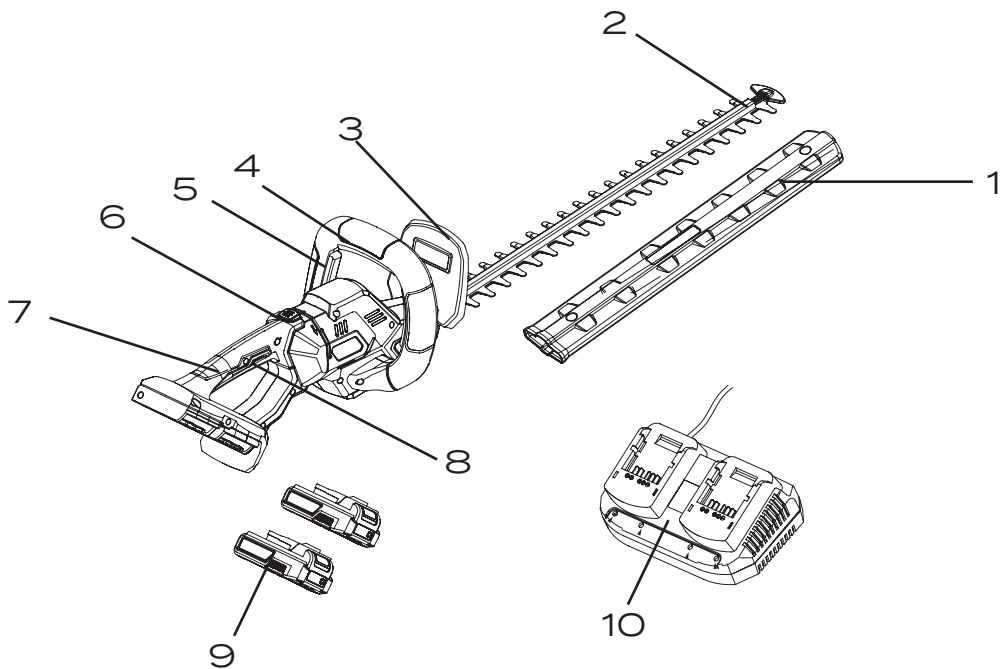


Contains a Li-ion battery. Do not dispose of waste batteries in domestic waste. Contact your local authority to find out how to dispose of batteries.

In the box

Parts

1. Blade sheath
2. Blade
3. Guard
4. Front handle
5. Safety switch
6. Handle rotating button
7. Rear handle
8. Trigger
9. Battery pack
10. Charger





WARNING!

Before using the tool, read all instructions carefully.

Charging the battery



NOTE: The battery pack comes partly charged. Charge the battery pack prior to first use, ideally at least 60 minutes.

- Always pull out the plug of the charger from the mains before removing or connecting the battery pack to the charger.
- Never charge the battery pack when the ambient temperature is below 0°C or above 45°C.
- Never recharge a battery pack again immediately after rapid charging. This could overcharge the battery pack, thus reducing the lifespan of the battery pack and charger.
- Rest the charger for at least 15 minutes between continuously charging sessions.
- If no battery pack is inserted into the charger and the charger is connected to mains, the charging status LED shows red.

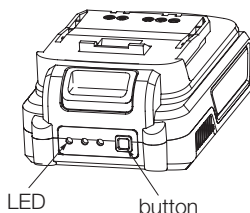


NOTE: Always fully charge the two batteries at same time.

Checking battery capacity

Press the battery capacity level button to check the charging level of the battery pack. The status/remaining charge will be shown on the battery charging level indication light.

3 Green LEDs continuously Lit	Battery pack fully charged
2 Green LEDs continuously Lit	Battery pack 65% charged
1 Green LED continuously Lit	Battery pack 35% charged
No LED lit	Battery is dead and needs to be charged

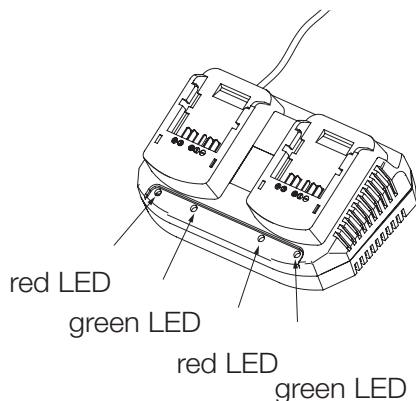


Charge the battery pack before operating when it is at medium or low battery charging level.

- I. Connect the battery pack to the battery charger.
- II. Insert the mains plug into the socket. The green charging status LED light will flash. Once the battery pack is completely charged, the green charging status LED is lit continuously, indicating that the charging process is complete.
- III. Disconnect the charger from the mains and remove the battery pack from the charger.
- IV. Attach the battery pack back to the product.

Charging status LEDs

Red LED turns on	Charger ready
Green LED flashes	Battery pack charging
Green LED continuously lit	Battery pack fully charged
Red and green LEDs flashing	Battery pack defect
Red and green LEDs continuously lit	Battery pack too cold or warm



Operating the hedge trimmer

Switching on/off

WARNING!



If any parts are missing, damaged or broken, do not operate your hedge trimmer until all damaged parts have been replaced or repaired. Failure to do so could result in serious personal injury.

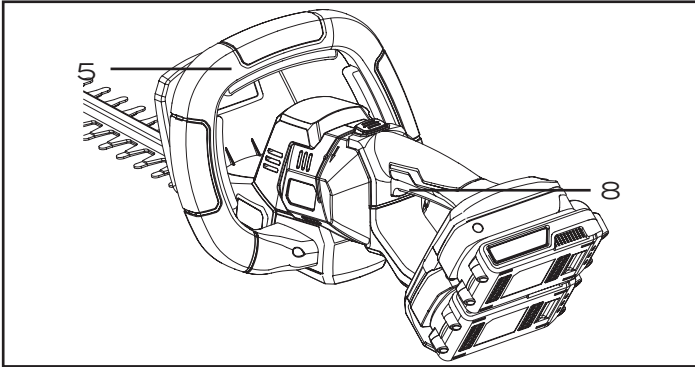
For your safety, this tool is equipped with a dual safety-switch system. This system prevents starting the tool inadvertently and will only allow operation while holding the tool with both hands.

Switching on

Hold the product with one hand at the rear handle and the other at the front handle. Press the trigger (8) and the front handle safety switch (5) at the same time to switch the product on.

Switching off

Release the front handle safety switch (5) or the trigger (8).



Never attempt to lock the dual safety-switch system in the on position.

Cutting the hedge

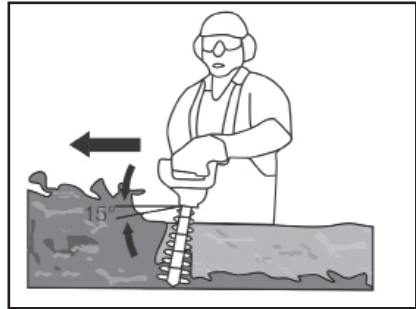


WARNING!

Before using this hedge trimmer, make sure that you have read all of the safety instructions.

When operating the unit, check for the following:

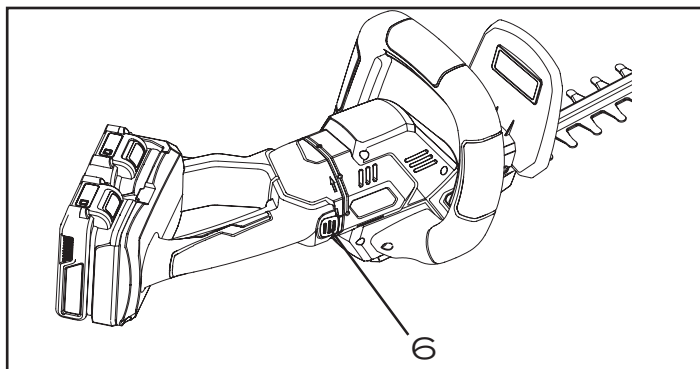
- Wear eye protection and appropriate clothing (PPE).
 - Hold the front handle with one hand and the rear handle with the other hand.
1. When trimming, the blade should be tilted towards the hedge. Always trim from the bottom upwards.
 2. Trim the sides of the hedge first and then trim the top.
 3. If the branches are very long, they should be cut back in several stages.
 4. Make sure that there are no hard objects in the hedge, such as railings, that could damage the blade.
 5. If the blade becomes jammed, switch it off and remove the battery pack before clearing the obstruction.
 6. Do not force the hedge trimmer to cut oversized branches. These should be cut by hand using secateurs or shears.



Note: Evergreen hedges and shrubs that retain their leaves in the winter, should be trimmed in April and August. Conifers and other fast-growing shrubs can be trimmed every six weeks throughout the growing season.

Use the rotating handle

This hedge trimmer has a rotating handle which allows you to rotate the rear handle to 5 positions (-90° , -45° , 0° , 45° , 90°). Press the handle rotating button (6) to switch the handle to the position you need for easily trimming the side of the hedge.



Maintenance and storage



WARNING!

Before performing any repair work, always remove the battery pack.

Cleaning the product

- Use a soft brush to remove any accumulated debris.
- Wear safety glasses to protect your eyes whilst cleaning.
- Wipe down the product enclosure with a slightly damp cloth.
- Do not spray the unit with water. Ingress of water may destroy the switch and the electric motor.

Maintenance

1. Keep all nuts, bolts and screws tight to be sure that the machine is in safe working condition.
2. For safety, examine the trimmer and replace any worn or damaged parts.
3. Check that the guards are undamaged and correctly fitted. Carry out necessary maintenance or repairs before using.
4. Do not use the trimmer if the blades are blunt or worn. This will overstress the motor and gearbox of the machine.

Blade maintenance

1. Wear gloves when handling or cleaning the cutting blade.
2. Always clean the cutting blade after operation and lubricate with protective spray. During longer cutting jobs, we recommend periodically lubricating the cutting blade with protective spray.
3. Visually check the condition of the edges of the cutting blade. Check the tightness of the blade bolts. Ensure that the blade is covered with the blade protector supplied.

Storage and transport

1. After cleaning the unit thoroughly. Store the unit in a safe, dry place, allowing the motor to cool down beforehand.
2. Store the machine out of the reach of children.
3. Use the original packaging whenever possible.

Troubleshooting

Although your new cordless hedge trimmer is really easy to operate, if you do experience problems, please check the following:

Problem	Possible cause	Solution
Product does not start	1. Not connected to battery pack	1. Connect to battery pack
	2. Low battery capacity	2. Charge the battery pack
	3. Other defect to the product	3. Check with a specialist
Product does not reach full power	1. Low battery capacity	1. Charge the battery pack
	2. Air vents are blocked	2. Clean the air vents
Does not cut	Cutting device worn	Have a specialist replace it

Technical data

Model no.	GY2271
Voltage	40V \equiv (2x20V)
Battery type	Lithium-ion
No load speed	1600/min
Cutting length	520mm
Cutting dia.	20mm
Battery pack	
Model	BOP-SP07-20-ZJ
Battery type	Lithium-ion
Battery capacity	20V \equiv 2.5Ah
Charging time	2 hours
Charger	
Model no.	BOQ-SP07-2040ZB
Input	220-240V AC, 50/60Hz 120W
Output	20V \equiv 4A
Protection category	IP20

Noise and vibration data	
A weighted sound pressure	78.7dB(A) K_{PA} : 3dB(A)
A weighted sound power	89.5dB(A)
The guaranteed sound power level	94dB(A)
Typical weighted vibration	3.24m/s ² $K=1.5m/s^2$



WARNING!

The sound values have been determined according to the noise test code given in EN 60745-2-15, using the basic standards EN ISO 11094 and EN ISO 3744.

The sound intensity level for the operator may exceed 80dB(A) and ear protection measures are necessary.

The declared vibration value (according to EN 60745-1) has been measured in accordance with a standard test method, and may be used for comparing one product with another. The declared vibration value may also be used in a preliminary assessment of exposure.

Depending on the actual use of the product, the vibration values can differ from the declared total. Adopt proper measures to protect yourself against vibration exposures. Take the whole work process into consideration, including times the product is running under no load or switched off.



WARNING! This tool may cause Hand-Arm Vibration Syndrome (HAVS) if its use is not adequately managed.

Preventative measures include, among others, regular maintenance and care of the product and cutting attachments, keeping hands warm and periodical breaks, as well as proper planning of work processes.

Disposal

The hedge trimmer and its accessories are made of various recyclable materials. Dispose of the hedge trimmer in accordance with your local recycling regulations.

Getting help

Our dedicated UK-based customer helpline is open 7 days a week to assist you with assembly, parts queries and technical support. We are open during office hours but you can always send an email via **support@coreservice.co.uk**. Our experts are here to get you back enjoying your garden in no time.

For useful assembly, starting and maintenance videos, and for ordering spares, please visit **www.coreservice.co.uk**.

Calling our service does not affect your statutory rights.

Warranty

This product is covered by a 2 year warranty.

The warranty covers any manufacturing defect in materials, workmanship and finish.

Any claim under this warranty must be made by going to your nearest Homebase store, taking your proof of purchase with you, and claims must be made within 2 years of the date of purchase.

We will offer you a free repair of the item where this is possible, or a replacement or a refund. Your statutory rights remain unaffected, in particular any rights you may have under the Consumer Rights Act 2015.

This warranty is given by HHGL Limited, MK9 1BA;HHGL (ROI) Limited, DO2 X576.

Please note: This warranty does not apply to products misused or neglected and only covers domestic use.