

POWERBASE

41cm 20V Cordless
Pole Hedge Trimmer 577167

Instruction Manual

IMPORTANT!
Please read these
instructions fully before
starting assembly.



These instructions contain important information that will help you get the best from your product, ensuring it is assembled correctly and safely. If you need help or have damaged or missing parts, call the Customer Helpline on 01904 727 509.

Contents

General Safety Warnings	3
Intended use	18
Warning symbols	18
In the box	21
Assembly	25
Operating the hedge trimmer	26
Maintenance and storage	28
Troubleshooting	29
Technical data	30
Disposal	31
Getting help	31
Warranty	32

General Safety Warnings

General power tool safety warnings



WARNING! Read all safety warnings and all instructions.

Failure to follow the warnings and instructions may result in electric shock, fire and/or serious injury.

Save all warnings and instructions for future reference.

The term 'power tool' in the warnings refers to your mains-operated (corded) power tool or battery-operated (cordless) power tool.

Work area safety

- **Keep work area clean and well lit.** Cluttered or dark areas invite accidents.
- **Do not operate power tools in explosive atmospheres,** such as in the presence of flammable liquids, gases or dust. Power tools create sparks which may ignite the dust or fumes.
- **Keep children and bystanders away while operating a power tool.** Distractions can cause you to lose control.

Electrical safety

- **Power tool plugs must match the socket. Never modify the plug in any way. Do**

not use any adaptor plugs with earthed (grounded) power tools.

Unmodified plugs and matching sockets will reduce the risk of electric shock.

- **Avoid body contact with earthed or grounded surfaces, such as pipes, radiators, ranges and refrigerators.**

There is an increased risk of electric shock if your body is earthed or grounded.

- **Do not expose power tools to rain or wet conditions.** Water entering a power tool will increase the risk of electric shock.

- **Do not abuse the cord. Never use the cord for carrying, pulling or unplugging the power tool. Keep the cord away from heat, oil, sharp edges or moving parts.**

Damaged or entangled cords increase the risk of electric shock.

- **When operating a power tool outdoors, use an extension cord suitable for outdoor use.** Use of a cord suitable for outdoor use reduces the risk of electric shock.

- **If operating a power tool in a damp location is unavoidable, use a residual current device (RCD with a tripping current of 30mA or less) protected supply.** Use of an RCD reduces the risk of electric shock.

Personal safety

- **Stay alert, watch what you are doing and use common sense when operating a power tool. Do not use a power tool while you are tired or under the influence of drugs, alcohol or medication.**

A moment of inattention while operating power tools may result in serious personal injury.

- **Use Personal Protective Equipment (PPE). Always wear eye protection.**

Protective equipment, such as a dust mask, non-skid safety shoes, hard hat, or hearing protection used for appropriate conditions will reduce personal injuries.

- **Prevent unintentional starting. Ensure the switch is in the off-position before connecting to the power source and/or battery pack, picking up or carrying the tool.**

Carrying power tools with your finger on the switch or energising power tools that have the switch on invites accidents.

- **Remove any adjusting key or wrench before turning the power tool on.**

A wrench or a key left attached to a rotating part of the power tool may result in personal injury.

- **Do not overreach. Keep proper footing and balance at all times.** This enables better control of the power tool in

unexpected situations.

- **Dress properly. Do not wear loose clothing or jewellery. Keep your hair, clothing and gloves away from moving parts.** Loose clothes, jewellery or long hair can be caught in moving parts.

Power tool use and care

- **Do not force the power tool. Use the correct power tool for your application.**
The correct power tool will do the job better and safer at the rate for which it was designed.
- **Do not use the power tool if the switch does not turn it on and off.**
Any power tool that cannot be controlled with the switch is dangerous and must be repaired.
- **Disconnect the plug from the power source and/or the battery pack from the power tool before making any adjustments, changing accessories, or storing power tools.**
Such preventive safety measures reduce the risk of starting the power tool accidentally.
- **Store idle power tools out of the reach of children and do not allow persons unfamiliar with the power tool or these instructions to operate the power tool.**
Power tools are dangerous in the hands of

untrained users.

- **Maintain power tools. Check for misalignment or binding of moving parts, breakage of parts and any other condition that may affect the power tools operation. If damaged, have the power tool repaired before use.**

Many accidents are caused by poorly maintained power tools.

- **Keep cutting tools sharp and clean.** Properly maintained cutting tools with sharp cutting edges are less likely to bind and are easier to control.
- **Use the power tool, accessories and tool bits, etc.** in accordance with these instructions, taking into account the working conditions and the work to be performed. Use of the power tool for operations different from those intended could result in a hazardous situation.

Service

- **Have your power tool serviced by a qualified repair person using only identical replacement parts.** This will ensure that the safety of the power tool is maintained.

Battery safety warnings



WARNING! This power tool is not intended for use by persons (including

children) with reduced physical, sensory or mental capabilities, or lack of experience and knowledge, unless they have been given supervision or instruction concerning the use of the power tool by a person responsible for their safety.



WARNING! Children must be supervised to ensure that they do not play with the power tool.

- Before charging the battery, read all the instructions carefully.
- After charging, disconnect the battery charger from the mains supply. Remove the chassis connection and then the battery connection.
- Do not charge a leaking battery.
- Do not use chargers for works other than those for which they are designed and intended.
- Before charging, ensure your charger matches the local AC supply.
- For indoor use. DO NOT expose to rain. The charging device must be protected from moisture.
- Do not use the charging device in the open.
- Do not short out the contacts of the battery

or charger.

- Respect the polarity (+/-) when charging.
- Do not open the unit, and keep out of the reach of children.
- Do not charge the batteries of other manufacturers or ill-suited models.
- Ensure that the connection between the battery charger and battery is correctly positioned, and is not obstructed by foreign bodies.
- Keep the battery chargers slots free of foreign objects and protect it from dirt and humidity. Store in a dry and frost-free place.
- When charging batteries, ensure that the battery charger is in a well-ventilated area and away from flammable materials. Batteries can get hot during charging. Do not overcharge any batteries. Ensure that batteries and chargers are not left unsupervised during charging.
- Do not attempt to recharge non-rechargeable batteries, as they can overheat and break.
- Longer life and better performance can be obtained if the battery pack is charged when the air temperature is between 18°C and 24°C. Do not charge the battery pack in air temperatures below 0°C or above 45°C. This is important as it can prevent serious damage to the battery pack.
- Only charge a battery pack of the same

model provided by the manufacturer or different models recommended by them.

Safety warnings for battery packs

- Do not dismantle, open or shred cells or battery packs.
- Do not short-circuit a battery pack. Do not store battery packs haphazardly in a box or drawer where they may short circuit each other, or be short-circuited by conductive materials. When the battery pack is not in use, keep it away from other metal objects, like paper clips, coins, keys, nails, screws or other small metal objects that can make a connection from one terminal to another. Shorting the battery terminals together may cause burns or a fire.
- Do not expose the battery pack to heat or fire. Avoid storing in direct sunlight.
- Do not subject the battery pack to mechanical shock.
- In the event of battery leakage, do not allow the liquid to come into contact with the skin or eyes. If contact has been made, wash the affected area with copious amounts of water and seek medical advice.
- Seek medical advice immediately if a cell or battery pack has been swallowed.
- Keep the battery pack clean and dry.
- Wipe the battery pack terminals with a

clean, dry cloth if they become dirty.

- The battery pack needs to be charged before use. Always refer to this instruction manual and use the correct charging procedure.
- Do not keep the battery pack on charge when it is not in use.
- After extended periods of storage, it may be necessary to charge and discharge the battery pack several times to obtain maximum performance.
- The battery pack gives its best performance when it is operated at normal room temperature ($20^{\circ}\text{C} \pm 5^{\circ}\text{C}$).
- When discharging several battery packs, keep battery packs of different electrochemical systems separate from each other.
- Recharge only with the charger specified by the manufacturer. Do not use any charger other than that specifically provided for use with the equipment. A charger that is suitable for one type of battery pack may create a risk of fire when used with another battery pack.
- Do not use any battery pack which is not designed for use with the equipment.
- Keep the battery pack out of the reach of children.
- Retain the original product literature for

future reference.

- Remove the battery from the equipment when it is not in use.
- Dispose of safely in an environmentally-friendly manner. Not with domestic, household waste.

Charger safety warnings

- Before charging, ensure your charger matches the local AC supply.
- Only use your charger to charge batteries of the type supplied with your power tool. Other batteries could explode, causing personal injury and property damage.
- Only two battery packs are allowed to be charged continuously, in order to prevent overheating of the charger. It is necessary to allow the charger to cool down before charging another battery.
- When charging is complete, unplug the charger from the mains socket and remove the battery pack from the charger. Do not leave the battery pack in the charger.
- Never carry the charger by its cord or pull the cord to disconnect from the socket. Keep the cord away from heat, oil and sharp edges.
- Never attempt to charge non-rechargeable batteries.
- The cord of the charger is not changeable;

do not continue to use it, if the cord is damaged.

- Do not use in damp or wet conditions.
- Do not open or probe the charger.
- The charger is intended for indoor use only.

Hedge trimmer safety warnings

- **Keep all parts of the body away from the cutter blade. Do not remove any cut material or hold material to be cut when the blades are moving. Make sure the switch is off when clearing jammed material.**

A moment of inattention while operating the hedge trimmer may result in serious personal injury.

- **Carry the hedge trimmer by the handle with the cutter blade stopped. When transporting or storing the hedge trimmer always fit the cutting device cover.**

Proper handling of the hedge trimmer will reduce possible personal injury from the cutter blades.

- **Hold the hedge trimmer properly, eg. with both hands if two handles are provided.**
- **Keep the cable away from the cutting area.** During operation, the cable may be hidden in shrubs and can be accidentally cut by the blade.

- **Hold the power tool by insulated gripping surfaces only; the cutter blade may contact hidden wiring.**

Cutter blades contacting a 'live' wire may make exposed metal parts of the power tool 'live' and could give the operator an electric shock.



Never let children or untrained persons use the device.

WARNING! The cutting elements continue to rotate a little after the trimmer has been switched off.

- Only use the device in daylight or with sufficient artificial lighting.
- Remove the battery before carrying out investigation or maintenance or the hedge trimmer.
- Store the device out of the reach of children.
- Beware of overhead power lines.
- Avoid operating while people, especially children and pets, are nearby.
- While operating the tool, always hold a safe and secure operating position, especially when using steps or a ladder.
- Do not attempt to repair the tool yourself.
- Do not operate the tool with a damaged or excessively worn cutting blades.
- Always wear ear protection, goggles and a helmet during operation.

- Always ensure that all guards are fitted when using the device. Never attempt to use an incomplete tool or a tool with unauthorised modifications.
- Always use two hands to operate the power tool.
- When transporting or storing the tool, always fit the blade sheath.
- Always be aware of your surroundings and stay alert for possible hazards that you may not hear due to the noise of the tool.
- If you have not used a hedge trimmer before, please study this manual thoroughly before operating.
- Never touch the blades while the tool is running.
- Never attempt to force the blades to come to a standstill.
- Do not put the tool down until the blade has come to a complete stop.
- Regularly check the blades for damage and wear. Do not use the machine when the blades are damaged.
- Take care to avoid hard objects (e.g. metal wire, railings) when trimming. Should you accidentally hit any such object, immediately switch the tool off, remove the battery, and check for any damage.
- Should the tool start to vibrate abnormally,

immediately switch it off, remove the battery, and check for any damage.

- Always be aware of falling debris when cutting the higher sides of a hedge.

Information about noise reduction

A certain amount of noise caused by this device is unavoidable. Carry out noise-intensive work at authorised and designated times. If necessary, keep to rest periods and limit the working time to the bare essential. For your personal protection and protection of nearby persons, suitable hearing protection must be worn.

Emergency

Familiarise yourself with the use of this product by means of this instruction manual. Memorise the safety directions and follow them to the letter; this will help to prevent risks and hazards.

- Always be alert when using this product so that you can recognise and handle risks early. Fast intervention can prevent serious injury and damage to property.
- Switch off and remove the battery pack if there is any malfunction. Have the product checked by a qualified specialist and repaired, if necessary, before you put it back into operation.

Residual risks

Even if you are operating this product in accordance with all the safety requirements, potential risks of injury and damage remain. The following dangers can arise in connection with the structure and design of this product:

- Health defects resulting from vibration emissions if the product is being used over long periods of time or not adequately managed and properly maintained.
- Injuries and damage to property due to broken tools or the sudden impact of hidden objects during use.
- Danger of injury and property damage caused by flying objects or debris.



WARNING! This product produces an electromagnetic field during operation. This field may, under some circumstances, interfere with active or passive medical implants. To reduce the risk of serious or fatal injury, we recommend persons with medical implants consult their doctor and the medical implant manufacturer before operating this product.

Intended use

This Li-ion cordless pole hedge trimmer is intended for trimming hedges, bushes and shrubs. Observe the technical data for the maximum cutting capacity. Do not cut non plant material or branches exceeding the stated maximum capacity. For safety reasons, it is essential to read this entire instruction manual before first operation and to observe all the instructions herein. This product is intended for private domestic use only, not for any commercial trade use. It must not be used for any purposes other than those described in this manual.

Warning symbols on the power tool



Warning!



Conforms to all relevant safety standards.



To reduce the risk of injury, the user must read the instruction manual.



Wear safety glasses, ear protection and safety helmet (PPE).



Wear a dust mask.



Wear suitable foot protection.



Wear suitable hand protection.



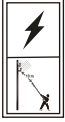
Keep bystanders away.



DANGER! Keep hands away from the blades.



Do not operate or expose the product to rain or wet conditions.



WARNING! The device is not protected against electric shocks when it touches high voltage lines! Maintain a safe distance of 10m from live electrical lines.



Guaranteed sound power level data is 90dB.



Remove the battery pack before any adjustment or maintenance.

Warning symbols on the charger



Before use, carefully read through the user manual.



The charger is for indoor use only.



Class II equipment.



Pole orientation.



WEEE symbol. Waste electrical products should not be disposed of with household waste. Please recycle where facilities exist. Check with your local authority or local store for recycling guidelines.



Fuse 3.15A.

Warning symbols on the battery



Do not dispose of batteries in rivers or immerse them in water.



Do not subject the battery to strong sunlight over long periods, and do not leave it on a heater (max. 45°C).



Do not throw on fire.

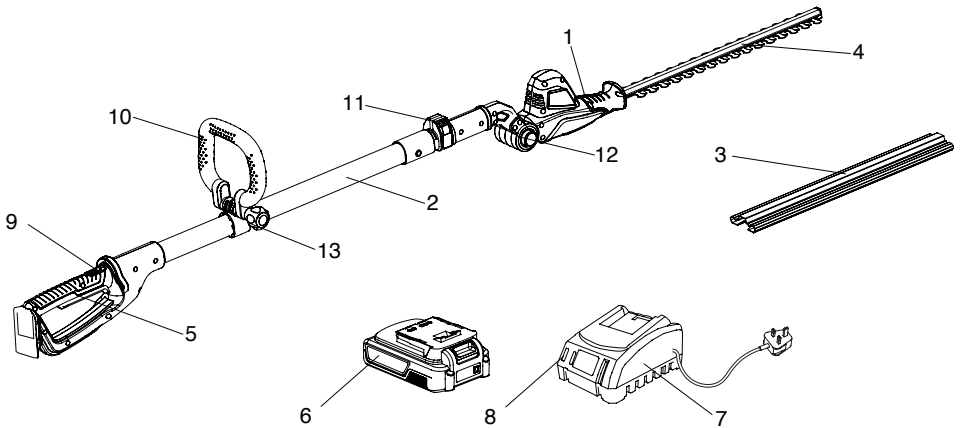


Contains a Li-ion battery. Do not dispose of waste batteries in domestic waste. Contact your local authority to find out how to dispose of batteries.

In the box

Parts

1. Working head
2. Pole tube
3. Blade sheath
4. Blade
5. Main switch
6. Battery pack
7. Charger
8. LED light
9. Safety lock-off button
10. Front handle
11. Quick release knob
12. Pivot knob
13. Front handle adjusting knob





WARNING: Ensure the battery pack is disconnected from the hedge trimmer before carrying out assembly.

Charging the battery



WARNING!

The charger and battery pack are specifically designed to work together, do not attempt to use any other devices. Never insert or allow metallic objects into your charger or battery pack connections; an electrical failure and hazard will occur.

The battery needs to be charged before first use and whenever it fails to produce sufficient power on jobs that were easily done before.



WARNING! NEVER LEAVE THE BATTERY AND CHARGER UNATTENDED WHEN CHARGING THE BATTERY.

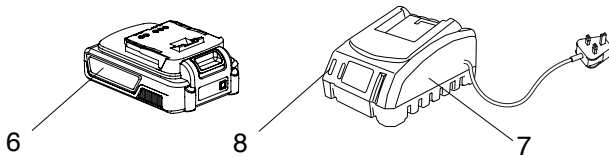
This product comes with a Lithium-ion battery pack. Lithium-ion batteries don't lose charge when they are not in use, and don't lose charging capacity over time. Nevertheless, it is best practice to only charge the battery when empty or if there is insufficient charge to do the job.

Charging procedure



WARNING! The battery cannot be charged immediately after use, it should cool down for 30 minutes. The LED light (8) switching from green to red means it is being charged.

1. Slide the battery pack (6) into the charger (7), make sure the battery pack is fully seated in position.
2. Plug the charger into an appropriate AC power socket.
3. When the LED light (8) switches to red, the battery pack is charging. The battery pack will be fully charged after one hour. The LED light will switch to green, once the battery is fully charged.
4. Disconnect the charger from the mains and remove the battery pack from the charger.



Important charging notes

1. Never allow the battery to completely discharge before recharging. The battery pack should be placed on the charger whenever the battery pack is noticeably running down or the tool no longer performs a task it previously performed.
2. Avoid conducting short charges. Make sure that the battery is fully charged each time by allowing the charger to complete its full charging cycle.
3. Avoid allowing loose items like screws or nails, etc., to be stored with battery packs, as these or similar items can short battery packs and cause a fire or explosion.
4. Always unplug the charger when not in use and store in a dry and secure place.
5. Avoid charging or storing your battery in temperatures below 0°C and above 40°C.
6. After use, allow the battery pack to cool down for approximately 30 minutes before attempting to recharge.

If the battery pack does not charge properly:

- Check the main socket by plugging in a lamp or other appliance.
 - Move the charger and battery pack to a location where the surrounding air temperature is approximately 18–24°C.
 - If charging problems persist, take the tool, battery pack and charger to your local store.
7. The battery pack should be recharged when it fails to produce sufficient power on jobs which were easily done before. **DO NOT CONTINUE** to use under these conditions. Follow the charging procedure. You may also charge a partially used pack whenever you desire with no adverse effect on the battery pack.
 8. Under certain conditions with the charger plugged into the power supply, the exposed charging contacts inside the charger can be shorted by foreign materials. Foreign materials of a conductive nature, such as, but not limited to, steel wool, aluminium foil, or any build-up of metallic particles, should be

kept away from charger cavities. Always unplug the charger from the power supply when there is no battery pack in the cavity. Unplug the charger before attempting to clean.

9. Do not immerse the charger in water or any other liquid.



WARNING!

Never attempt to open the battery pack for any reason. If the plastic housing of the battery pack breaks or cracks, dispose of the battery pack in accordance with local regulations; do not put it into further use.

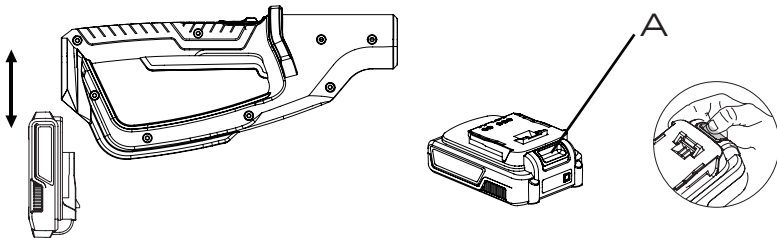
Install the battery pack



WARNING! Always release the On/Off switch before inserting or removing the battery pack.

Remove the battery pack: Press the button (A) on the end of the battery pack, then remove the pack from the trimmer.

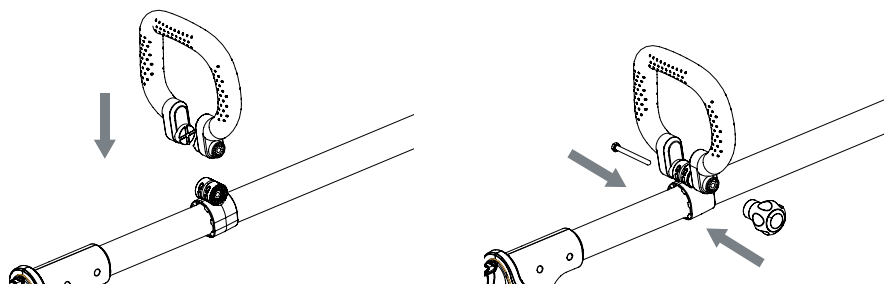
Install the battery pack: Align the ribs on both sides of the battery pack with the slots in the housing, and slip it into place. Always insert it all the way until it locks in place with a click sound. If it's not correctly inserted, it may accidentally fall out of the trimmer, causing injury to you or bystanders. To release the battery from the trimmer, push the button (A) on the end of the battery pack and pull away from the trimmer.



Assembly

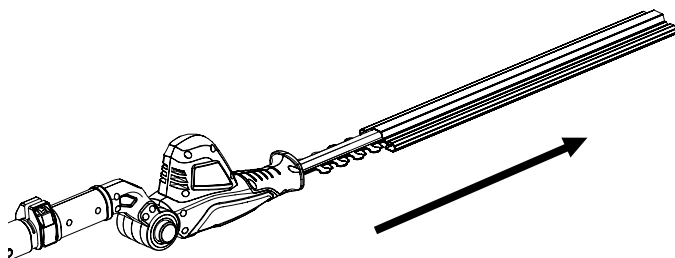
Assemble the front handle

Attach the front handle (10) to the block on the pole tube (2) and insert the bolt. Tighten the knob (13) to the bolt.



Take off the blade sheath

Slide the blade sheath off before you start the trimmer.



Operating the hedge trimmer

Switch ON/OFF



WARNING! If any parts are missing, damaged or broken, do not operate your hedge trimmer until all damaged parts have been replaced or repaired. Failure to do so could result in serious personal injury.

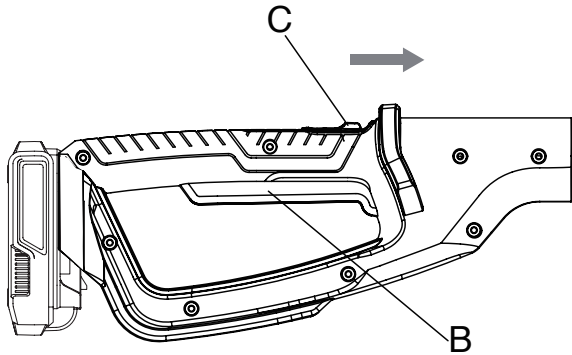
Switching on

Push forward the safety lock-off button (**C**) and then press the main switch (**B**) on the handle.

Release the safety lock-off button (**C**).

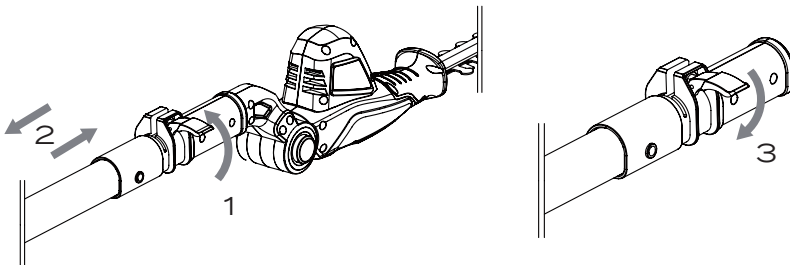
Switching off

Release the main switch (**B**) on the handle.



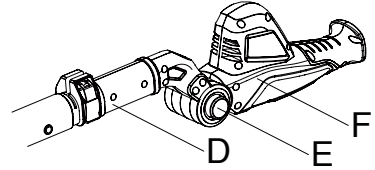
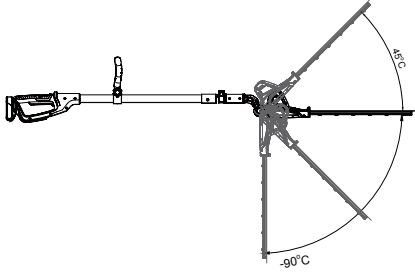
Telescopic handle

Open the quick release knob (1) and extend the upper part of the handle to the desired handle length. Then click the quick release knob to fix the tube tight.



Function of the swivel head

Note: The cutter head can be locked in nine positions (-45° ~ 90°). Hold the handle (**D**) tightly. Push the lock button (**E**) and then turn the cutter head (**F**) to the desired position. Release the lock button (**E**) again and check whether the cutter head is locked in place.



Using the hedge trimmer



WARNING! DO NOT exceed the cutting capacity of this product!

With its unique design, the pole trimmer can be used to trim and shape hard to reach areas on hedges and bushes, such as those shown below.



Seasonal hedges and shrubs that lose their leaves in the winter should be trimmed in June and October.

Evergreen hedges and shrubs that retain their leaves in the winter should be trimmed in April and August.

Conifers and other fast-growing shrubs can be trimmed every six weeks from May onwards throughout the growing season.

Maintenance and Storage

Maintenance



WARNING!

Before any maintenance, always take off the battery pack and wear protective gloves.

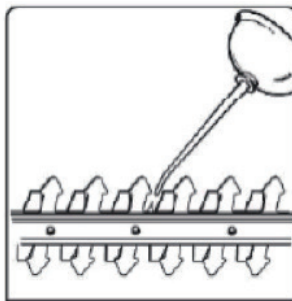
- Keep all nuts, bolts and screws tight to be sure that the machine is in safe working condition. Regularly examine the machine and replace worn or damaged parts for safety.
- Check that the guards are undamaged and correctly fitted. Carry out necessary maintenance or repairs before using.
- Do not use the unit if the blades are blunt or worn. This will overstress the motor and gearbox of the machine.

Lubrication of the blade

For easier operation and longer life, lubricate the cutting blades before and after each use.

Before lubricating, make sure the battery is disconnected from the hedge trimmer.

Apply the oil (any kind of lubrication oil) so that it runs between the two blades.



Cleaning the Trimmer



WARNING!

Before commencing these cleaning procedures or when clearing a blockage, make sure that the hedge trimmer is switched off and the battery is disconnected. Wear safety glasses to protect your eyes whilst cleaning.

- Use a soft brush to remove any accumulated debris.
- Wipe down the product enclosure with a slightly damp cloth.
- Do not spray the unit with water. Ingress of water may destroy the switch and the electric motor.

Storage and transport

After cleaning the unit thoroughly. Store the unit in a safe, dry room, allowing the motor to cool down beforehand.

Store the unit out of the reach of children.

Use the original packaging to store the unit, whenever possible.

Troubleshooting

Although your new cordless hedge trimmer is really easy to operate, if you do experience problems, please check the following:

Problem	Possible cause	Solution
Product does not start	1. Not connected to battery pack	1. Connect to battery pack
	2. Low battery capacity	2. Charge the battery pack
	3. Other defect to the product	3. Check with a specialist
Product does not reach full power	1. Low battery capacity	1. Charge the battery pack
	2. Air vents are blocked	2. Clean the air vents
Does not cut	Cutting device worn	Have a specialist replace it

Technical data

Technical data table

Model	MOE-16ET20-410
Voltage	20V d.c.
Battery type	Lithium-ion
No load speed	1200/min.
Cutting length/tooth spacing	410mm/14mm
Battery pack	
Battery pack	BOP-SPO7-20-ZJ
Battery type	Lithium-ion
Battery capacity	20Vd.c. 2.5Ah
Charging time	1.5 hours
Charger	
Charger	BOQ-SPO6-2OZB
Input	220-240V~ 50/60Hz 50W
Output	20V d.c 2.4A
Protection class	II/ 
Noise and vibration data	
A weighted sound pressure	75dB(A) K_{PA} : 3dB(A)
A weighted sound power	89dB(A) K_{WA} : 3dB(A)
The guaranteed sound power level	90dB(A)
Typical weighted vibration	2.0m/s ² K=1.5m/s ²



WARNING!

The sound values have been determined according to the noise test code given in EN 60745-2-15, using the basic standards EN ISO 11094 and EN ISO 3744.

The sound intensity level for the operator may exceed 80dB(A) and ear protection measures are necessary.

The declared vibration value (according to EN 60745-1) has been measured in accordance with a standard test method, and may be used for comparing one product with another. The declared vibration value may also be used in a preliminary assessment of exposure.

Depending on the actual use of the product, the vibration values can differ from the declared total. Adopt proper measures to protect yourself against vibration exposures. Take the whole work process into consideration, including times the product is running under no load or switched off.



WARNING! This tool may cause Hand-Arm Vibration Syndrome (HAVS) if its use is not adequately managed.

Preventative measures include, among others, regular maintenance and care of the product and cutting attachments, keeping hands warm and periodical breaks, as well as proper planning of work processes.

Disposal

The pole hedge trimmer and its accessories are made of various recyclable materials. Dispose of the pole hedge trimmer in accordance with your local recycling regulations.

Getting help

Our dedicated UK-based customer helpline is open 7 days a week to assist you with assembly, parts queries and technical support. We are open during office hours but you can always send an email via **support@coreservice.co.uk**. Our experts are here to get you back enjoying your garden in no time.

For useful assembly, starting and maintenance videos, and for ordering spares, please visit **www.coreservice.co.uk**.

Calling our service does not affect your statutory rights.

Warranty

This product is covered by a 2 year warranty.

The warranty covers any manufacturing defect in materials, workmanship and finish.

Any claim under this warranty must be made by going to your nearest Homebase store, taking your proof of purchase with you, and claims must be made within 2 years of the date of purchase.

We will offer you a free repair of the item where this is possible, or a replacement or a refund. Your statutory rights remain unaffected, in particular any rights you may have under the Consumer Rights Act 2015.

This warranty is given by HHGL Limited, MK9 1BA; HHGL (ROI) Limited, DO2 X576.

Please note: This warranty does not apply to products misused or neglected and only covers domestic use. It does not apply to commercial use of the product.