

# POWERBASE

30cm 20V Cordless  
Grass Trimmer 577172

## Instruction Manual

**IMPORTANT!**  
Please read these  
instructions fully before  
starting assembly.



These instructions contain important information that will help you get the best from your product, ensuring it is assembled correctly and safely. If you need help or have damaged or missing parts, call the Customer Helpline on 01904 727 509.

# Contents

General safety warnings	3
Intended use	11
Warning symbols	12
In the box	15
Assemble the grass trimmer	16
Operate the grass trimmer	20
Maintenance and storage	24
Troubleshooting	25
Technical data	26
Disposal	28
Getting help	28
Warranty	28

# General Safety Warnings

## Safety warnings



**WARNING! Read all safety warnings and instructions.**

Failure to follow the warnings and instructions may result in electric shock, fire and/or serious injury.



**WARNING! Read all safety warnings and instructions designated by the  symbol.**

**Save all warnings and instructions for future reference.**

- The term 'power tool' in the warnings refers to your mains-operated (corded) power tool or battery-operated (cordless) power tool.

## Work area safety

- **Keep the work area clean and well lit.** Cluttered or dark areas invite accidents.
- **Do not operate power tools in explosive atmospheres,** such as in the presence of flammable liquids, gases or dust. Power tools create sparks which may ignite the dust or fumes.
- **Keep children and bystanders away while operating a power tool.** Distractions can cause you to lose control.

## Personal safety

- **Use common sense when operating a power tool. Do not use a power tool while you are tired or under the influence of drugs, alcohol or medication.** A moment of inattention while operating power tools may result in serious personal injury.
- **Use Personal Protective Equipment (PPE). Always wear eye protection.** Protective equipment, such as a dust mask, non-skid safety shoes, hard hat, or hearing protection used for appropriate conditions, will reduce personal injuries.
- **Prevent unintentional starting. Ensure the switch is in the off-position before connecting to a power source and/or battery pack, picking up or carrying the tool.** Carrying power tools with your finger on the switch or energising power tools that have the switch on invites accidents.
- **Remove any adjusting key or wrench before turning the power tool on.** A wrench or a key left attached to a rotating part of the power tool may result in personal injury.
- **Do not overreach. Keep proper footing and balance at all times.** This enables better control of the power tool in unexpected situations.
- **Dress properly. Do not wear loose clothing or jewellery. Keep your hair, clothing and gloves away from moving parts.** Loose clothes, jewellery or long hair can be caught in moving parts.

- **If devices are provided for the connection of dust extraction and collection facilities, ensure these are connected and properly used.** Use of a dust collection device can reduce dust-related hazards.

## Power tool use and care

- **Do not force the power tool. Use the correct power tool for your application.** The correct power tool will do the job better and safer at the rate for which it was designed.
- **Do not use the power tool if the switch does not turn it on and off.** Any power tool that cannot be controlled with the switch is dangerous and must be repaired.
- **Disconnect the plug from the power source and/or the battery pack from the power tool before making any adjustments, changing accessories, or storing power tools.** Such preventive safety measures reduce the risk of starting the power tool accidentally.
- **Store idle power tools out of the reach of children and do not allow persons unfamiliar with the power tool or these instructions to operate the power tool.** Power tools are dangerous in the hands of untrained users.
- **Maintain power tools. Check for misalignment or binding of moving parts, breakage of parts and any other condition that may affect the power**

**tools operation. If damaged, have the power tool repaired before use.**

Many accidents are caused by poorly maintained power tools.

- **Keep cutting tools sharp and clean.** Properly maintained cutting tools with sharp cutting edges are less likely to bind and are easier to control.
- **Use the power tool, accessories and tool bits, etc. in accordance with these instructions, taking into account the working conditions and the work to be performed.** Use of the power tool for operations different from those intended could result in a hazardous situation.

## **Servicing**

1. Have your power tool serviced by a qualified repair person using only identical replacement parts. This will ensure that the safety of the power tool is maintained.

## **Grass trimmer safety warnings**

**IMPORTANT  
READ CAREFULLY BEFORE USE  
KEEP FOR FUTURE REFERENCE**

## **Training**

- Read the instructions carefully. Be familiar with the controls and the correct use of the machine.

- Never allow children or people unfamiliar with these instructions to use the machine. Local regulations can restrict the age of the operator
- Keep in mind that the operator or user is responsible for accidents or hazards occurring to other people or their property.

## **Preparation**

- Before use check the supply and extension cord for signs of damage or aging. If the cord becomes damaged during use, disconnect the cord from the supply immediately. **DO NOT TOUCH THE CORD BEFORE DISCONNECTING THE SUPPLY.** Do not use the machine if the cord is damaged or worn.
- Before use, always visually inspect the machine for damaged, missing or misplaced guards or shields.
- Never operate the machine while people, especially children, or pets are nearby.

## **Operation**

- Keep supply and extension cords away from cutting means.
- Wear eye protection and stout shoes at all times while operating the machine.
- Avoid using the machine in bad weather conditions especially when there is a risk of lightning.
- Use the machine only in daylight or good artificial light.

- Never operate the machine with damaged guards or shields or without guards or shields in place.
- Switch on the motor only when the hands and feet are away from the cutting means.
- Always disconnect the machine from the power supply (i.e. remove the plug from the mains, remove the disabling device or removable battery)
  - a) whenever the machine is left unattended;
  - b) before clearing a blockage;
  - c) before checking, cleaning or working on the machine;
  - d) after striking a foreign object;
  - e) whenever the machine starts vibrating abnormally.
- Take care against injury to feet and hands from the cutting means.
- Always ensure that the ventilation openings are kept clear of debris.
- Do not touch moving hazardous parts before the machine is disconnected from the mains and the moving hazardous parts have come to a complete stop.



## General safety warnings for battery chargers



**WARNING!** This appliance is not intended for use by persons (including children) with reduced physical, sensory or mental capabilities, or lack of experience and knowledge, unless they have been given supervision or instruction concerning the use of the appliance by a person responsible for their safety.



**WARNING!** Children should be supervised to ensure that they do not play with the appliance.

- Before charging the battery, read all the instructions carefully.
- After charging, disconnect the battery charger from the mains supply. Then remove the chassis connection and then the battery connection.
- Do not charge a leaking battery.
- Do not use chargers for works other than those for which they are designed and intended.
- Before charging, ensure your charger matches the local AC supply.
- For indoor use. DO NOT expose to rain. The charging device must be protected from moisture.
- Do not use the charging device in the open.
- Do not short out the contacts of the battery or charger.

- Respect the polarity (+/-) when charging.
- Do not open the unit and keep out of the reach of children.
- Do not charge the batteries of other manufacturers or ill-suited models.
- Ensure that the connection between the battery charger and battery is correctly positioned, and is not obstructed by foreign bodies.
- Keep the battery charger's slots free of foreign objects and protect it from dirt and humidity. Store in a dry and frost-free place.
- When charging batteries, ensure that the battery charger is in a well-ventilated area and away from flammable materials. Batteries can get hot during charging. Do not overcharge any batteries. Ensure that batteries and chargers are not left unsupervised during charging.
- Do not attempt to recharge nonrechargeable batteries, as they can overheat and break.
- Longer life and better performance can be obtained if the battery pack is charged when the air temperature is between 18°C and 24°C. Do not charge the battery pack in air temperatures below 0°C, or above 45°C. This is important as it can prevent serious damage to the battery pack.
- Only charge a battery pack of the same model provided by the manufacturer or different models recommended by them.

## **Safety warnings for battery packs**

- Do not dismantle, open or shred cells or battery packs.
- Do not short-circuit a battery pack. Do not store battery packs haphazardly in a box or drawer where they may short circuit each other, or be short-circuited by conductive.

## **Intended Use**

This Li-ion cordless grass trimmer is intended for cutting weeds, grass or similar soft vegetation in areas that are hard to reach, e.g. under bushes, on slopes and hedges. It may not be used to work on unusually thick, dry or wet grass, e.g. pasture grass, or to shred leaves.

For safety reasons, it is essential to read this entire instruction manual before first operation and to observe all the instructions herein.

This product is intended for private domestic use only, not for any commercial trade use. It must not be used for any purposes other than described in this manual.

# Warning Symbols

The purpose of safety symbols is to attract your attention to any possible dangers. The safety symbols and their explanations deserve your careful attention and full understanding. The symbol warnings do not, by themselves, eliminate any danger. The instructions and warnings they give are no substitute for proper accident prevention measures.



**WARNING:** Be sure to read and understand all safety instructions within this operator's manual, including all safety alert symbols such as "**DANGER**", "**WARNING**", and "**CAUTION**" before using this tool. Failure to follow all instructions listed below may result in electric shock, fire and/or serious personal injury.

**SAFETY ALERT SYMBOLS:** Indicate **DANGER**, **WARNING**, or **CAUTION**. May be used in conjunction with other symbols or pictographs.

## Symbol meanings



Warning!

WARNING!



This is a warning symbol. This symbol is used throughout the instruction manual whenever there is a risk of personal injury. Ensure that these warnings are read and understood at all times.

Read the instruction manual before operating this machine.



Wear eye protection.



Wear ear protection.



Wear a dust mask.



Do not expose to rain.



Guaranteed sound power level.



Keep bystanders away.



Keep by-standers well away. They could be injured by flung out objects.



The product complies with the applicable European directives and an evaluation method of conformity for these directives was done.



WEEE symbol. Waste electrical products should not be disposed of with household waste. Please recycle where facilities exist. Check with your local authority or local store for recycling guidelines

### Warning symbols on the battery pack



To reduce the risk of injury, user must read instruction manual carefully.



Do not throw into water.



Do not dispose of batteries in a fire. They will explode and cause injury.



Do not subject the battery to strong sunlight over long periods of time. Do not leave on a heater (max.45°C).



Batteries contain Li-ion. Do not dispose of waste batteries in domestic waste. Contact local authority to find out how to dispose of batteries.



The product complies with the applicable European directives and an evaluation method of conformity for these directives was done.



WEEE symbol. Waste electrical products should not be disposed of with household waste. Please recycle where facilities exist. Check with your Local Authority or local store for recycling advice.

### Warning symbols on the charger



To reduce the risk of injury, user must read instruction manual carefully.



The charger is for indoor use only.



Class II equipment

T3.15A



Protective 3.15 A limited



WEEE symbol. Waste electrical products should not be disposed of with household waste. Please recycle where facilities exist. Check with your Local Authority or local store for recycling advice.

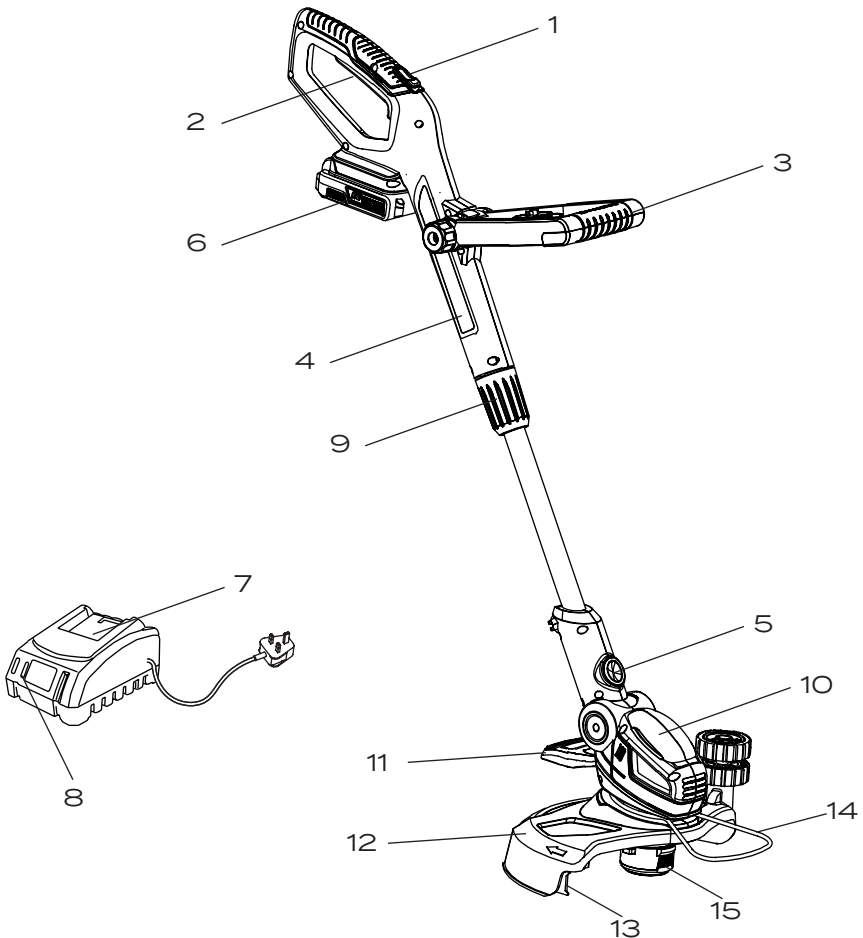


The product complies with the applicable European directives and an evaluation method of conformity for these directives was done.

# In The Box

## Parts

1. Safety switch lock
2. Main switch
3. Front handle
4. Upper tube
5. Edge button
6. Battery pack
7. Charger
8. LEDs (indicators on charger)
9. Telescopic knob
10. Motor housing
11. Tilt-adjustment pedal
12. Protection guard
13. Line blade
14. Plant protector
15. Spool head



# Assemble the grass trimmer



**WARNING:** Ensure the battery pack is disconnected from the mower before making the assembly.

## Charging the battery



**WARNING!** The charger and battery pack are specifically designed to work together so do not attempt to use any other devices. Never insert or allow metallic objects into your charger or battery pack connections; an electrical failure and hazard will occur.

The battery needs to be charged before first use and whenever it fails to produce sufficient power on jobs that were easily done before.

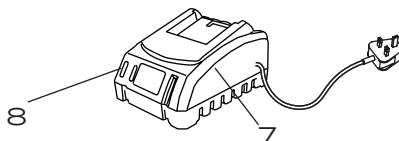


**WARNING!** NEVER LEAVE THE BATTERY AND CHARGER UNATTENDED WHEN CHARGING THE BATTERY.

This product comes with a lithium-ion battery pack. Lithium-ion batteries don't lose charge when not in use, and don't lose charging capacity overtime. Nevertheless, it is best practice to charge the battery when empty or insufficient to do the job.

## Charging procedure

1. Slide the battery pack(6) into the charger(7),make sure the battery pack is fully seated in position.
2. Plug the charger into an appropriate AC power socket.
3. When the LED light (8) switches to red, the battery pack is on charging. The battery pack will be fully charged after one hour. The LED light will switch to green once the battery is fully charged.
4. Disconnect the charger from the mains and remove the battery pack from the charger.





## Important charging notes

1. Never allow the battery to completely discharge before recharging. The battery pack should be placed on the charger whenever the battery pack is noticeably running down or the tool no longer performs a task it previously performed.
2. Avoid conducting short charges. Make sure that the battery is fully charged each time by allowing the charger to complete its full charging cycle.
3. Avoid allowing loose items like screws or nails etc. to be stored with battery packs as these or similar items can short battery packs and cause a fire or explosion
4. Always unplug the charger when not in use and store in a dry and secure place.
5. Avoid charging or storing your battery in temperatures below 5°C and above 45°C.
6. After use, allow the battery to pack to cool down for approximately 30 minutes before attempting to recharge.



**WARNING!** Don't allow any liquid to get inside the charger; electric shock may result. To facilitate the cooling of the battery pack after use, avoid placing the charger or battery pack in a warm environment, such as in a metal shed, or an uninsulated trailer.



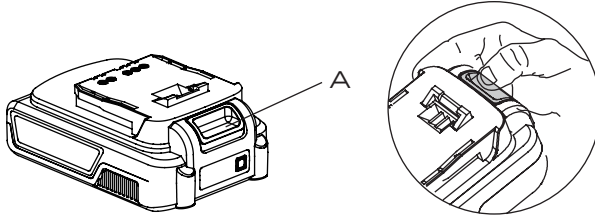
**WARNING!** Never attempt to open the battery pack for any reason. If the plastic housing of the battery pack breaks or cracks, return it to a service centre for recycling; do not put it into further use.

## Removing or installing the battery pack



**WARNING!** Always release the on/off trigger before insertion or removal of the battery pack.

To remove the battery pack: Depress button (A) on the end of the battery pack, and then remove the pack from the tool.



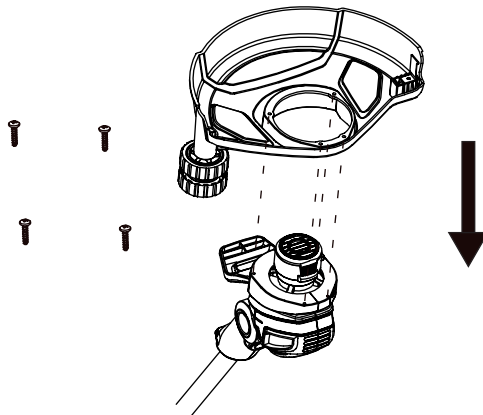
Install the battery pack: Align the ribs on both sides of the battery pack with the slots in the housing, and slip it into place. Always insert it all the way until it locks in place with a click sound. If not, it may accidentally fall out of the tool, causing injury to you or someone around you.

## Install the guard

1. Remove four mounting screws from motor housing.

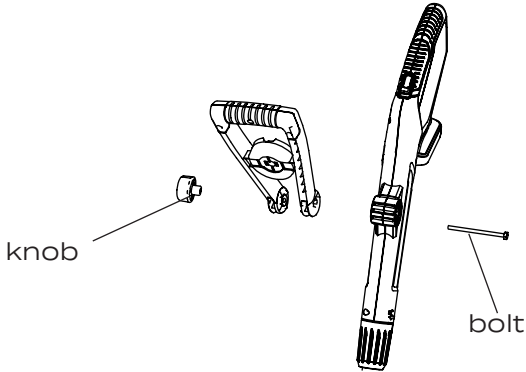
**Note:** They are pre-mounted on the motor housing by factory to help the end-user find them quickly and indicate to the end-user where these four screws should be used.

2. Put the safety guard onto the motor housing.
3. Fix the safety guard in place by using these four screws.



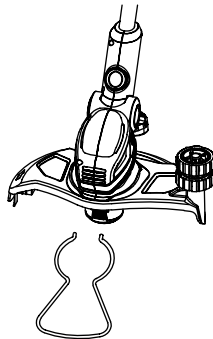
## Front handle assembly

1. Loosen the knob and remove it together with the bolt from the front handle.
2. Align the front handle to the support and place it onto it.
3. Insert the bolt from the right through the opening. Ensure that the bolt head sits properly in the recessed shape in the support, then tighten the knob.



## Plant protector assembly

Assemble the plant protector into the slot in between the guard and the motor housing.



# Operate the grass trimmer

## Starting

Before starting the grass trimmer for the first time, check that the nylon lines touch or pass over the wire cutting blade. If they are not long enough, follow these steps:

- Take off the battery pack from the machine.
- Press the spool button.
- Pull more nylon wire to lengthen.

Install the battery pack. Switch the trimmer on. Press and hold the safety lock-off button and then press the trigger on the handle. Release the safety lock-off button.

The lengthened nylon line will be cut to size automatically by the wire cutting blade once the grass trimmer is turned on.

During use, the nylon line will become shortened or worn. To automatically lengthen or advance the nylon cutting line. The lines trimmer will automatically elongate every time you turn on the grass trimmer.

These operations should be repeated a few times before starting work to make sure that everything is functioning properly and to familiarise you with the grass trimmer. Start off slowly; when you have gained experience, you will be able to use the grass trimmer to its full potential.

## Switch on/off

### Switching the trimmer on:

Press and hold the safety lock-off button and then press the trigger on the handle. Release the safety lock-off button again.

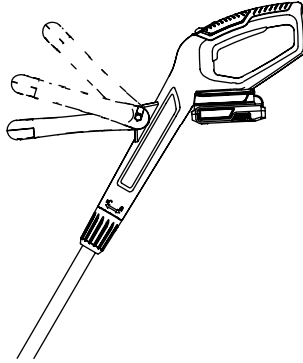
### Switching the trimmer off:

Release the trigger on the handle.

## Front handle adjustment

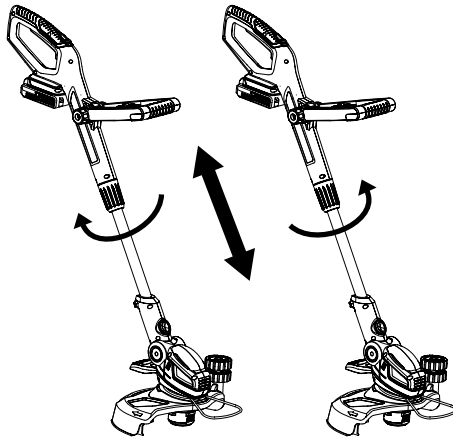
Adjust the angle of the auxiliary handle to ease operation and prevent loss of control:

1. Loosen the knob and move the handle up or downward.
2. Tighten the knob to secure the auxiliary handle in the adjusted position.



## Height adjustment

1. Loosen the locking sleeve counter clockwise.
2. Adjust the pole length to fit your body height.
3. Tighten the locking sleeve anti-clockwise.

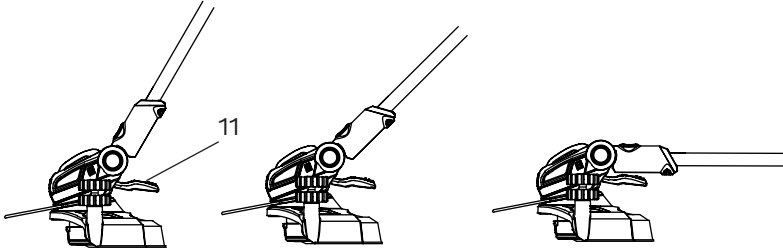


## Setting the cutting angle

Adjust the vertical angle of the trimmer head to fit the trimming conditions:

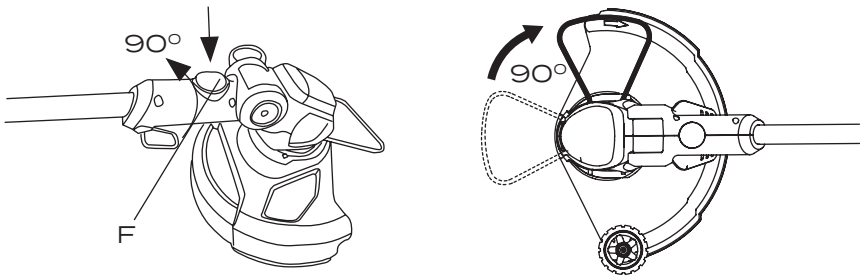
1. Press the tilt-adjustment pedal (11) down with your foot.
2. Adjust the angle of the pole, up or down.
3. Release the pedal and keep moving the pole until it locks in place.

**Note:** Always ensure that the pedal snaps into place after adjusting the trimmer in one of these three positions!



## Edging function

Set the cutting angle to  $0^\circ$  (see setting the cutting angle). Press the edging button (F), rotate the lower tube  $90^\circ$ .



## Automatic line feeding

The equipment features a fully automatic single line-feed system.

The lines will automatically elongate every time you turn on the appliance. To support proper line elongation, ensure that the coil has stopped moving completely before turning on the appliance again.

The lines are automatically cut to the correct length by the line cutter.

## Cutting guide



### **WARNING!**

Always wear eye protection (PPE). Never lean over the trimmer head. Stones or debris can bounce or be thrown into the eyes and face, and cause blindness or other serious injury.

### **When operating the unit:**

Hold the front handle with one hand and auxiliary handles with the other hand.

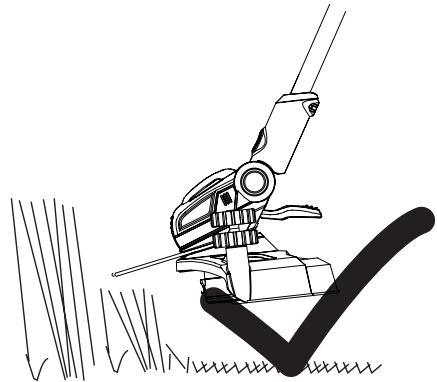
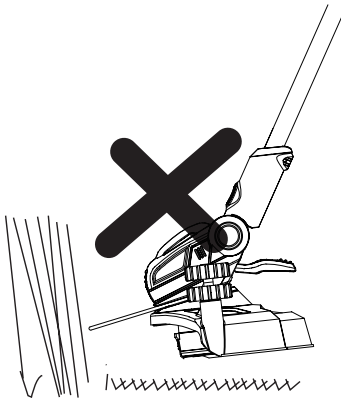
Keep the unit below waist level. Work only from your right to your left to ensure debris is thrown away from you. The guard should face you, protecting you from debris.

Do not switch the machine on with the cutting head on or near material to be cut. Ensure the cutting line is at full speed before contacting the grass.

Use the trimmer at an angle of approximately 15° to the working area.

In a controlled manner, swing the trimmer head from side to side.

If the grass is very long, cut it in stages rather than trying to cut it all in one go. Do not overload your trimmer; take small cuts, this will keep the machine operating at high speed and improve the cutting efficiency.



# Maintenance and Storage

## Replace the spool



### **WARNING!**

Before replacing the spool, always switch off the machine and take off the battery pack!

**RISK OF INJURY!** Cutting elements continue to rotate after the motor is switched off. Do not try to stop the cutting device (nylon blade) with your hands. Always let it come to a stop by itself.

Remove the spool assembly from the trimmer. To do so, hold the outer ribbed part of the assembly with one hand, while pushing down and turning the spool head with the other to unlock it. The spool carrier and spool will now disassemble easily.

**Note:** There is a spring inside the head that could easily be lost. Ensure that it is put in a safe place.

Choose either Option 1 or Option 2 below for spool or line replacement.

## Option 1: Replacing the spool

Insert the line from the replacement spool through the eyelet in the spool carrier and slide the spool into it.

Making sure to insert the spring, assemble the spool and spool carrier back onto the trimmer. To do so, push the head on and turn it clockwise until it locks.

To test if the line is advancing properly, push the button with your thumbs while pulling the line with your fingers. It should advance freely.

## Option 2: Replacing the line



### **WARNING!**

Please use 1.2mm or 1.4mm diameter line only.

Line for your trimmer is available at extra cost from your local store or the customer support service. Replace the line, as follows:

Insert one end of the line into the hole in the spool, about 3mm.

Wind the line tight and evenly onto the spool in the direction of the arrow until the line builds up to the notches in the spool rim. Do not overfill the spool. The spool holds about 6.5m of line.



## Cleaning and storage

After use, remove the battery pack from the trimmer.

When not in use, store the machine in a dry, safe place, out of the reach of children.

Use only manufacturer recommended replacement parts and accessories.

To clean the tool, remove the battery pack and use a mild soap solution and a damp cloth to clean it. Do not immerse the tool in water or spray it with a hose. Do not allow any liquid to get inside it. Do not clean with a pressure washer.

## Troubleshooting

Suspected malfunctions are often due to causes that the user can fix themselves.

Therefore, check the product using this section. In most cases the problem can be solved quickly.



**WARNING!** Only perform the steps described within these instructions! All further inspection, maintenance and repair work must be performed by an authorised service centre or a similarly qualified specialist if you cannot solve the problem yourself! Gloves and appropriate protective clothing must be worn when performing these instructions.

Fault	Possible cause	Solution
Product does not start	Not connected to power supply	Connect to a proper power supply.
	Power cord or plug is defective	Call after sales support at 01904 727509
	Other electrical defect to the product	Call after sales support at 01904 727509
Product does not reach full power	Extension cord is not suitable for this product	Use a proper extension cord
	Power source (e.g. generator) has too low a voltage	Connect to another proper power supply
	Air vents are blocked	Clean the air vents
Unsatisfactory result	Line spool does not have sufficient line	Lengthen cutting line or exchange a new spool
	Line has not been conducted out of the spool or only one side	Remove spool and place line through opening outwards

# Technical Data

Property	Value
Model no.	NOF-GT-300/20-E
Voltage	20V d.c.
Battery type	Lithium-ion
No load speed	8000/min
Cutting diameter	30cm
Net weight	2.7kg
<b>Battery pack Model</b>	BOP-SPO7-20-ZJ
Battery capacity	20v d.c.2.5Ah
Charging time	1.5 hours
<b>Battery charger Model</b>	BOQ-SPO6-20ZB
Input	220-240V~ 50/60Hz 50W
Output	20V d.c 2.4A

## Noise and vibration data

A weighted sound pressure 73dB(A)  $K_{PA}$ : 3dB(A)

A weighted sound power 86dB(A)

The guaranteed sound power level: 94dB(A)

## Wear ear protection

Typical weighted vibration  $2\text{m/s}^2$   $K=1.5\text{m/s}^2$



**WARNING:** The sound values have been determined according to the noise test code given in EN 60745-2-15, using the basic standards EN ISO 11094 and EN ISO 3744.

The sound intensity level for the operator may exceed 80dB(A) and ear protection measures are necessary.

The declared vibration value (according to EN 60745-1) has been measured in accordance with a standard test method, and may be used for comparing one product with another. The declared vibration value may also be used in a preliminary assessment of exposure.

Depending on the actual use of the product, the vibration values can differ from the declared total. Adopt proper measures to protect yourself against vibration exposures. Take the whole work process into consideration, including times the product is running under no load or switched off.



**WARNING!** This tool may cause Hand-Arm Vibration Syndrome (HAVS) if its use is not adequately managed. Preventative measures include, among others, regular maintenance and care of the product and cutting attachments, keeping hands warm and periodical breaks, as well as proper planning of work processes.

# Disposal

The grass trimmer and its accessories are made of various recyclable materials. Dispose of the grass trimmer in accordance with your local recycling regulations.

# Getting Help

Our dedicated UK-based customer helpline is open 7 days a week to assist you with assembly, parts queries and technical support. We are open during office hours but you can always send an email via **support@coreservice.co.uk**. Our experts are here to get you back enjoying your garden in no time.

For useful assembly, starting and maintenance videos, and for ordering spares, please visit **www.coreservice.co.uk**.

Calling our helpline does not affect your statutory rights.

# Warranty

This product is covered by a 2 year warranty.

The warranty covers any manufacturing defect in materials, workmanship and finish.

Any claim under this warranty must be made by going to your nearest Homebase store, taking your proof of purchase with you, and claims must be made within 2 years of the date of purchase.

We will offer you a free repair of the item where this is possible, or a replacement or a refund. Your statutory rights remain unaffected, in particular any rights you may have under the Consumer Rights Act 2015.

This warranty is given by HHGL Limited, MK9 1BA, HHGL (ROI) Limited, DO2 X576

Please note This warranty does not apply to products misused or neglected and only covers domestic use. It does not apply to commercial use of the product. In addition the warranty will be void for the following reasons: Any damage resulting from product misuse or product neglect.