

# POWERBASE

1850W  
Pressure Washer 577601

## Instruction Manual

**IMPORTANT!**  
Please read these  
instructions fully before  
starting assembly.



These instructions contain important information that will help you get the best from your product, ensuring it is assembled correctly and safely. If you need help or have damaged or missing parts, call the Customer Helpline on 01904 727 509.

# Contents

Safety information	3
In the box	19
Assembly	21
Operation	24
Application	27
Technical Data	29
Maintenance	29
Troubleshooting	28
Recycling and Disposal	30
Getting help	30
Warranty	31

# Description of symbols

The following warning symbols appear throughout this manual and indicate the appropriate safety measures you should take when operating and maintaining the pressure washer.



Caution/Warning.



Read operator's manual.



Wear ear protection.



Disconnect the mains plug if the cord becomes damaged or entangled.



WARNING! Never directly discharge a stream of liquid at people, animals, the unit or electrical components.



Guaranteed sound power level value is 97 dB(A).



Machine not suitable for connection to the potable water mains.



Double insulation, Class II appliance.



The product complies with the applicable European directives and an evaluation method of conformity for these directives was done.



Recycle unwanted materials instead of disposing of them as household waste. All tools, cables and packaging should be sorted, taken to the local recycling centre and disposed of in an environmentally-friendly way.

## General safety



**WARNING!** High pressure jets can be dangerous if subject to misuse. The jet must not be directed at persons, live electrical equipment or the machine itself.



**WARNING!** Do not use the machine within range of persons unless they wear protective clothing.



**WARNING!** Do not direct the jet against yourself or others in order to clean clothes or foot-wear.



**WARNING!** High pressure cleaners shall not be used by children or untrained personnel.



**WARNING!** High pressure hoses, fittings and couplings are important for the safety of the machine. Use only hoses, fittings and couplings recommended by the manufacturer.



**WARNING!** To ensure machine safety, use only original spare parts from the manufacturer or approved by the manufacturer.



**WARNING!** Water that has flowed through backflow preventers is considered to be non-potable.



**WARNING!** Do not use the machine if a supply cord or important parts of the machine are damaged, e.g. safety devices, high pressure hoses or trigger guns.



**WARNING!** Inadequate extension cords can be dangerous. If an extension cord is used, it shall be suitable for outdoor use, and the connection has to be kept dry and off the ground. It is recommended that this is accomplished by means of a cord reel which keeps the socket at least 60mm above the ground.



**WARNING!** Always switch off the mains disconnecting switch when leaving the machine unattended.



**WARNING!** High pressure may cause parts to rebound. Always wear appropriate personnel protective equipment (PPE) in operation, e.g. safety boots, safety gloves, safety helmets with visors, hearing protection etc., to ensure the operator's safety.



**WARNING!** There is a risk of kickback and sudden torque load against the jet spray when the spray gun is opened. Ensure that you are standing firmly and that you are holding the gun securely, otherwise you could injure yourself or other people.

## **IMPORTANT!**

- Keep this instruction manual in a safe place for future reference.
- Read the instructions carefully. Be familiar with the controls and how to properly use the equipment.
- Never use the machine while people, especially children, or pets are nearby. Keep in mind that the operator or user is responsible for accidents or hazards occurring to other people or their property.
- This machine can be used by people with reduced physical, sensory or mental capabilities or lack of experience and knowledge if they are being supervised or given instruction concerning the use of the machine in a safe way and understand the hazards involved.
- Don't use the machine without reading the instruction sheet.
- Machines shall not be used by children. Children should be supervised to ensure that they do not play with the machine.

## **Personal safety**

### **WARNING!**

- **RISK OF FATAL INJURY!** Use special care when cleaning tyres. Vehicle tyres/tyre valves may become damaged or burst when
- Handled improperly. First signs of damage include discolourations on the tyre. Damaged vehicle tyres/tyre valves pose a lifeth-

reatening risk. Keep the jet at a distance of at least 30cm!

- The appliance is not designed for connecting to tap water. If necessary,
- Please use only with a water backflow preventer or inlet hose-set approved by IEC 61770.
- Risk of injury, do not directly discharge a stream of liquid at people.
- Ensure you know how to stop the product and bleed pressure quickly. Be thoroughly familiar with the controls.
- Stay alert, watch what you are doing.
- Do not operate the product when fatigued or under the influence of alcohol or drugs.
- Keep the operating area clear of all persons.
- Do not overreach or stand on unstable support structures. Keep good footing and balance at all times.
- The operator or user is responsible for accidents or damages to other people or their property.

## **Operating safety**

- For safety reasons, high pressure hoses, valves and couplings must be used with the unit. The new hose-sets supplied with the appliance are to be used. Old hose-sets should not be reused.
- High-pressure hose fittings and couplings are important for the safety of the appliance. Use only hose fittings and couplings supplied by the manufacturer.

- Inadequate extension cords can be dangerous. If an extension cord is used, it should be suitable for outdoor use, be kept dry and off the ground. It is recommended that this is accomplished by means of a cord reel which keeps the socket at least 60mm above the ground.
- The electric supply connection shall be made by a qualified electrician and comply with IEC 60364-1. It is recommended that the electric supply to this machine should include either a residual current device that will interrupt the supply if the leakage current to earth exceeds 30mA for 30ms or a device that will prove the earth circuit.
- Disconnect from the electrical power supply before carrying out user maintenance.
- Do not use the machine if a supply cord or important parts of the machine are damaged, e.g. safety devices, high pressure hoses and trigger guns.
- If extension cable is used, the plug and socket outlet must be of a watertight construction.
- If the supply cord is damaged, it must be replaced by the manufacturer or its service agent or a similarly qualified person in order to avoid a hazard.
- The PVC or polychloroprene sheathed power cord or extension cables (HO5VV-F) are acceptable for use at temperatures at or above 0°C.
- Never carry the appliance by the cable or the hose. Do not carry the equipment with



your finger on the On/Off switch when it is connected to the mains. **WARNING** Removing the plug from the socket:

- When you are not using the equipment.
  - When transporting equipment.
  - When left unattended.
  - When checking or cleaning equipment.
  - When removing blockages or performing maintenance or changing accessories.
  - When the cable is damaged.
  - After contact with foreign bodies.
  - If the machine begins to vibrate abnormally.
- Do not use the appliance near flammable liquids or gases. In case of nonobservance, there is a risk of fire or explosions.
  - Ensure that the mains voltage matches the information on the label.
  - Before each use check the equipment, power cable and plug for damage, this is to avoid an electric shock.
  - Damaged cables, coupling and plugs or connecting leads that are not compliant with specifications are not to be used. Remove the plug from the plug socket immediately in case of damage or cutting through of the mains cable.
  - Do not use the equipment when the switching action of the On/Off switch is impaired. Contact our Services Centre to have damaged switches replaced.
  - Do not overload your appliance. Work only within the indicated range of performance.

For heavy work, do not use a machine with insufficient

- power. Do not use your appliance for purposes other than those specified.

## **Maintenance and storage safety**

- Retrofitting or making any unauthorised changes to the machine, as well as the use of unapproved parts will invalidate your warranty.
- Do not attempt to repair the equipment yourself. All work not indicated in these instructions is to be carried out only by service stations authorized by us.
- Store the appliance in a dry location and out of the reach of children.
- Handle the appliance with care. Keep the equipment clean for safe and more efficient working. Follow the maintenance directions.
- The appliance may be damaged by frost. There is always residual water left inside the high pressure washer and in the pump. Do not store the machine at temperatures below freezing point in order to avoid frost damage.

## **Intended use**

This high-pressure cleaner is designed for domestic use only.

- To clean machines, vehicles, buildings, tools, facades, terraces, garden equipment etc. using a high-pressure water jet (and detergents if required).

- Only use accessories, replacement parts and detergents which are compatible with this pressure washer.
- Observe the instructions provided with these detergents.
- Any use of the machine that deviates from its intended use and is not included in these instructions is considered unauthorized use and relieves the manufacturer from his or her legal liability.

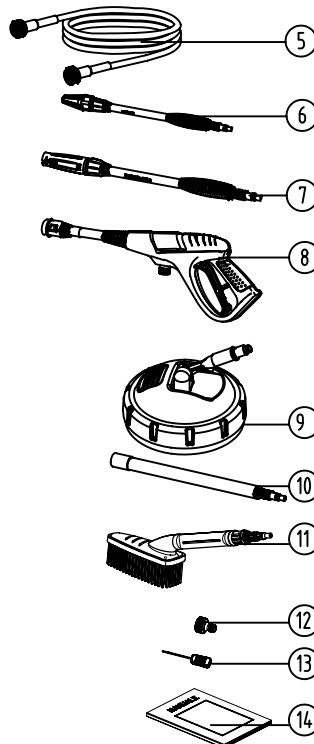
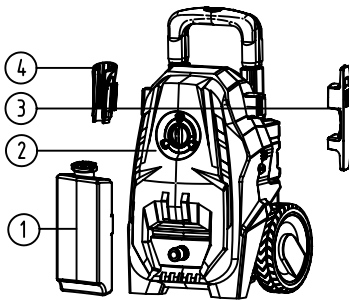
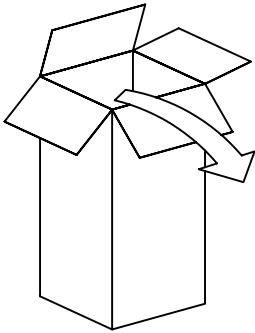
## **ATTENTION!**

Through poor conditions of the electrical MAINS, shortly voltage drops can appear when starting the EQUIPMENT. This can influence other equipment (e.g. Blinking of a lamp). If the MAINS-IMPEDANCEZ  $\max < 0.444 \text{ OHM}$ , such disturbances are not expected. (In case of need, you may contact your local supply authority for further information).

# In the box

## Parts

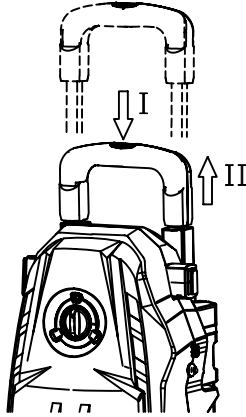
1. Detergent bottle
2. High pressure washer
3. Cord bracket
4. Gun holster
5. High pressure hose
6. Turbo lance
7. Spray lance
8. Spray gun
9. Patio brush
10. Patio brush lance
11. Triangular brush
12. Water inlet adapter
13. Nozzle pin
14. Operating manual



# Assembly

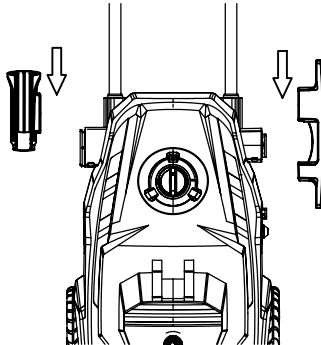
## Stretch out the transport handle

Stretch out the transport handle to the top position..



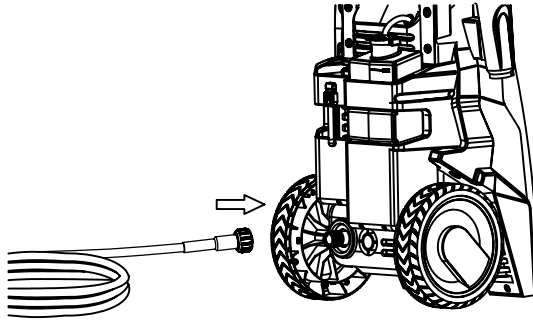
## Assemble cord bracket and gun holster

Assemble the cord bracket(3)and gun holster(4)onto pressure washer.



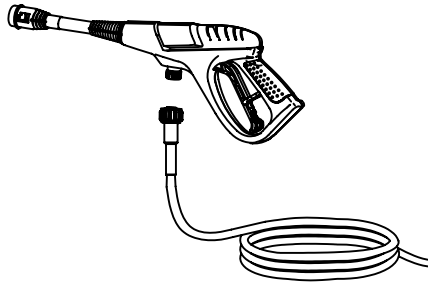
## Connect the hose and pressure washer

Attach high pressure hose(5) to the machine's water outlet (hand tighten only).



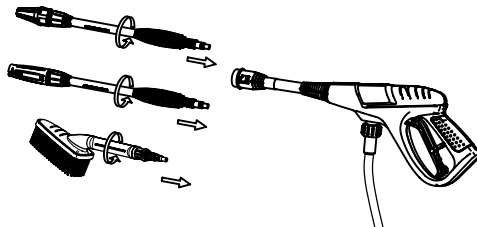
Push the high pressure hose (5) into the spray gun(8) until it locks audibly.

Note:Check the secure connction by pulling on the high pressure hose.



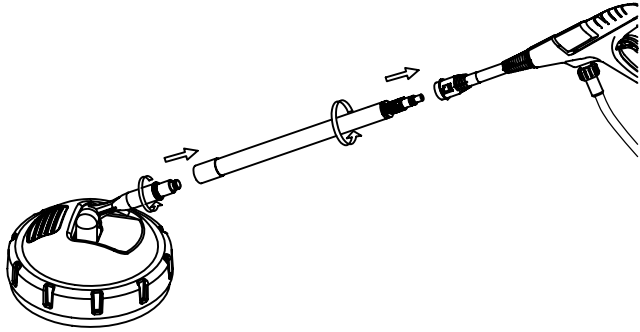
## Fit the gun extension to spray gun

Push the the turbo lance(6) or spray lance(7)or triangular brush( 11) into the gun spray(8)

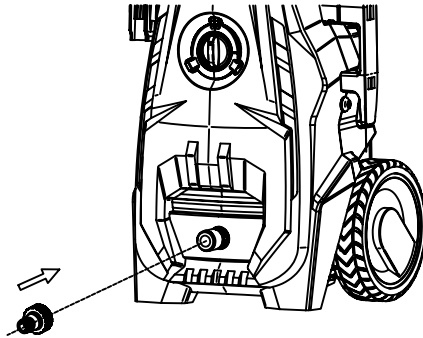


## Fit the gun extension to spray gun

Push the the patio brush (9) and patio brush lance (10) into the gun spray(8)



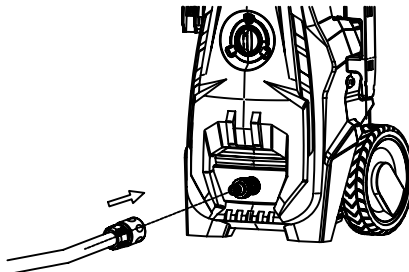
Attach water inlet adapter(12) to the machine's water inlet. Hand tighten only.



## Connect garden hose and inlet adapter

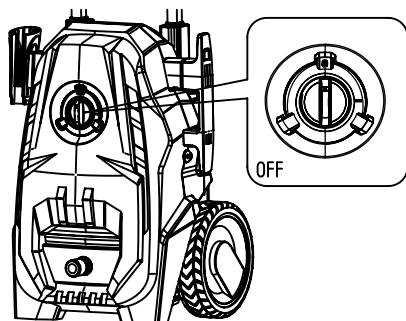
Attach a hose with a quick connect coupling (not included) to the high pressure washer.

Connect garden hose and water supply.  
Attach garden hose to water supply and turn water on.



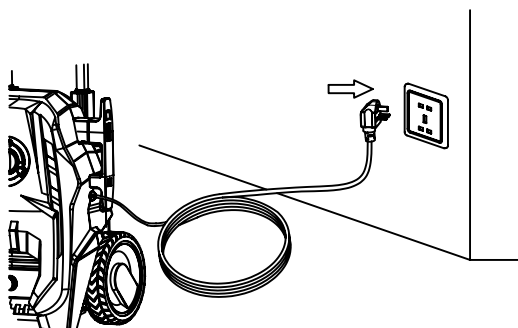
## OFF position

Make sure the ON(1) /OFF(O) switch is in the OFF(O) position.



## Connect socket

Insert the main plug into the socket.





# Operation



## WARNING!

Wear suitable clothing, ears and eyes protecting when working with the equipment. Ensure that the equipment is functional before each use. Ensure that the mains voltage value matches the label on the equipment. Check the safe condition of the machine:

- Check it for visual defects.
- Check that all parts of the machine have been securely fitted.
- Check if the water connector and the high-pressure pipes are tight.

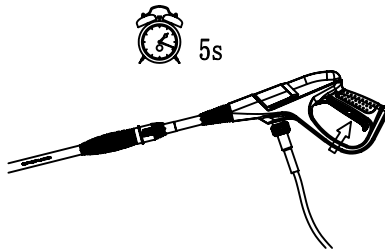
## Starting and stopping

Note: put the high pressure washer on a smooth ground. Stand in a secure and stable position.

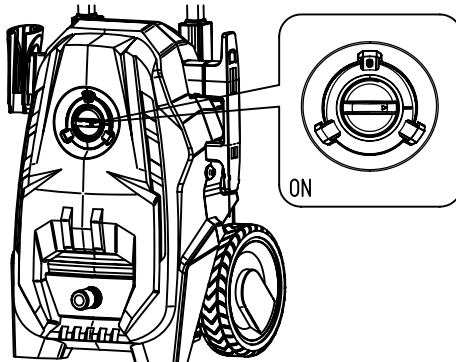
### Starting:

A. Open the water inlet valve

B. Press the safety button on the spray gun, and press the trigger until there is a steady stream of water.



C. To switch the machine on, set the On/Off switch to ON.



**Stopping:**

- A. Release the trigger.
- B. To switch the machine off, set the On/Off switch to OFF.
- C. Close the water inlet valve

**Attention!****Risk of machine damage!**

Never operate the machine without water inlet as dry running may damage the pump. Use a water filter if the inlet water is contaminated.

## Working with the Electric High pressure washer

**Risk of fatal injury!**

Use special care when cleaning tyres. Vehicle tyres/tyre valves may become damaged or burst when handled improperly. First signs of damage included discolorations on the tyre. Damaged vehicle tyres/tyre valves pose a life-threatening risk. Keep the jet at a distance of at least 30 cm!

**WARNING! Risk of fatal injury!**

The high-pressure jet may be dangerous when handled improperly. The jet may not be directed towards living beings (persons, animals), live equipment or the machine itself.

In case of contact with detergents: rinse with an abundance of clean water

Turn on the pressure washer. Pull trigger to operate unit. The liquid detergent will automatically mix with water, and be discharged through the nozzle. Apply detergent to a DRY work surface, from bottom to top.

Allow detergent to remain on the surface for a short time before rinsing. Do not allow detergent to dry on surface

Rinse with clean water under high pressure. On a vertical surface, rinse from the bottom up, then rinse from the top down to avoid streaking. Hold nozzle 6-8" (15-20 cm) from the work surface, at a 45° angle.

When you have finished using the detergent injection system, fill detergent bottle with clean water. Siphon water at low pressure for one minute, so that all detergent is flushed through system. Remove detergent bottle, and rinse it until it is thoroughly cleaned

Adequate information about the nozzles to be used, the danger of the kickback force and the sudden torque on the spray assembly when opening the trigger gun;

Clogging of the spray tips causes the pump pressure to be too high and cleaning is immediately required. You can clean the spray tips by carefully inserting a needle, or a thin, sharp instrument (e.g. paperclip) into the tip to rid it of deposits.

Hold with both hands.

The trigger gun safety lock prevents the trigger from being engaged accidentally.

The safety feature DOES NOT lock trigger in the ON position.

# APPLICATION

## High pressure working.

Hold the hand-held spray gun and the jet tube firmly with both hands. Be aware of the recoil when switching on the high-pressure jet.

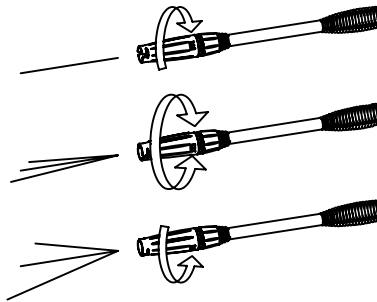
Unlock the safety button and press the trigger on the handheld spray gun.

The high pressure pump starts running as soon as you operate the hand held spray gun.

The high pressure pump stops running as soon as you release the trigger on the hand-held spray gun.

## Use with vario pressure nozzle.

A certain angle rotation of the nozzle without turning the gun, adjust the spray to desired pressure (range from zero to the working pressure) by turning the nozzle with the marking as shown.

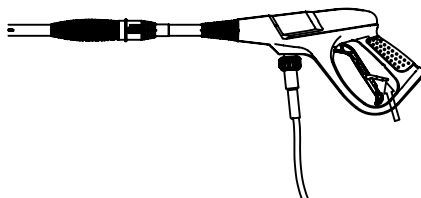


**CAUTION! Jet spray adjustment is very aggressive. Do not adjust while spraying.**

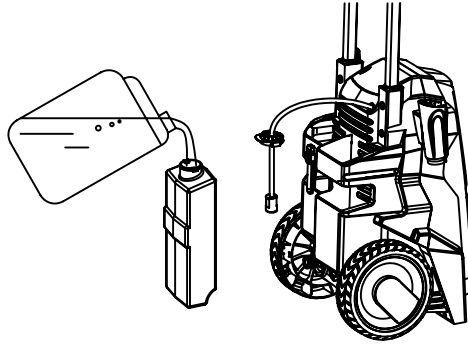
Switch the machine off when interrupting your work for extended periods of time.

## Use the detergent bottle.

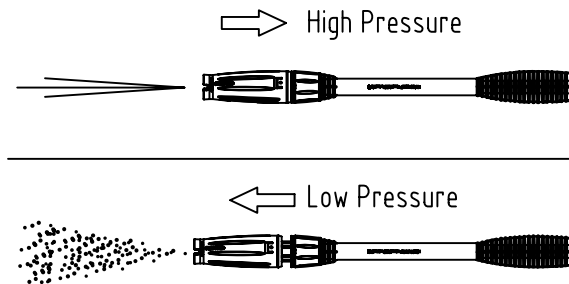
- Engage gun safety lock



- Gently pull the detergent containers out of storage position, and fill with detergent. Push the containers back into storage position.



-Turning the nozzle to low pressure marking as shown, configuring the machine to LOW PRESSURE. Unlock the trigger.



Do not use the detergent bottle in horizontal position.

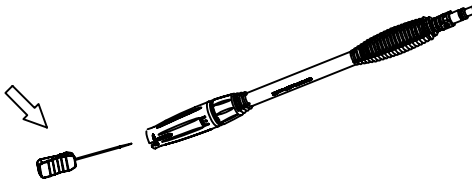
# Technical Data

Model	Q1W-SP19-1900H
Input voltage rating	230-240V, 50 Hz
Input power	1850W
Working pressure	10.3MPa
Max pressure	13MPa
Rated flow	5.5l/min
Max. flow	7l/min
Degree of protection against liquids	IPX5
Safety class	Class II
Inlet pressure:	0.6MPa
Supply water temperature (max.):	40°C

## MAINTENANCE

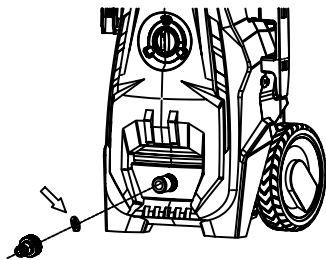
### Overview of cleaning

The pressure washer is equipped with a water filter to protect the pump. If the filter is not kept clean, the water flow to the machine will be restricted and the pump may be damaged.



To clean water filter, remove inlet adapter and get the filter out.

- Rinse filter until it is free of debris and blockage.
- Replace the filter and inlet adapter.



## Maintenance

The machine is maintenance-free.

### Storing, transport

#### Storing

Store the machine where it is dry and well ventilated.

When placing the machine out of service for an extended period of time, remove the cleaning agent and drain all the water left in the hoses.

#### Transport

If shipping, use the original packaging wherever possible.

## TROUBLESHOOTING

Suspected malfunctions are often due to causes that the user can fix their selves.. Therefore, check the product using this section. In most cases the problem can be solved quickly.



**WARNING!** Only perform the steps described within these instructions! All further inspection, maintenance and repair work must be performed by an authorized service center or a similarly qualified specialist if you cannot solve the problem yourself!

Gloves and appropriate protective clothing must be worn when performing these instructions.

<b>Problem</b>	<b>Possible cause</b>	<b>Solution</b>
1. No Power.	<ul style="list-style-type: none"> <li>• Check if the plug socket, cable, line and plug are in good condition.</li> <li>• If any of the parts are defective, such as the On/Off switch / motor etc.</li> </ul>	<ul style="list-style-type: none"> <li>• Please contact the after sales support team at 01904 727509.</li> </ul>
2.The high pressure washer operates intermittently.	<ul style="list-style-type: none"> <li>• Internal loose electrical connection.</li> <li>• On/Off switch defective.</li> </ul>	<ul style="list-style-type: none"> <li>• Please contact the after sales support team at 01904 727509.</li> <li>• Please contact the after sales support team at 01904 727509.</li> </ul>
3. None or only little pressure is built up.	<ul style="list-style-type: none"> <li>• There is an air pocket in the hose.</li> <li>• Check all inlet pipes leading to the pump for leaks or clogs.</li> </ul>	<ul style="list-style-type: none"> <li>• Turn off the machine. Run the machine without the high pressure hose connected until water starts to flow without bubbles. Reattach the high pressure hose.</li> <li>• Please contact the after sales support team at 01904 727509.</li> </ul>
4. Great pressure variances.	<ul style="list-style-type: none"> <li>• Check if the nozzle is blocked.</li> <li>• Inlet water is blocked.</li> </ul>	<ul style="list-style-type: none"> <li>• Clean the high pressure jet nozzle with the nozzle pin provided.</li> <li>• Make sure the inlet hose is not twisted or kinked.</li> </ul>
5. Machine is leaking.	<ul style="list-style-type: none"> <li>• Sealing parts are broken.</li> </ul>	<ul style="list-style-type: none"> <li>• Please contact the after sales support team at 01904 727509.</li> </ul>



# DISPOSAL

## Disposing of the machine

Machines which are labeled with the adjacent symbol must not be disposed of in household rubbish. You must dispose of such old electrical and electronic appliances separately.

Please check with your local authority about the possibilities for correct disposal. Through separate disposal you send old equipment for recycling or for other forms of re-use. You will thus help to avoid in some cases that damaging material gets into the environment.

## Disposing of the packaging

The packaging consists of cardboard and correspondingly marked sheets that can be recycled. Make these materials available for recycling.

# GETTING HELP

Our dedicated UK-based customer helpline is open 7 days a week to assist you with assembly, parts queries and technical support. We are open during office hour but you can always send an email via [support@coreservice.co.uk](mailto:support@coreservice.co.uk). Our experts are here to get you back enjoying your garden in no time.

For useful assembly, starting and maintenance videos, and for ordering spares, please visit [www.coreservice.co.uk](http://www.coreservice.co.uk).

Calling our service does not affect your statutory rights.

# WARRANTY

This product is covered by a 2 years warranty.

The warranty covers any manufacturing defect in materials, workmanship and finish.

Any claim under this warranty must be made by going to your nearest Homebase store, taking your proof of purchase with you, and claims must be made within 2 years of the date of purchase. We will offer you a free repair of the item where this is possible, or a replacement or a refund. Your statutory rights remain unaffected, in particular any rights you may have under the Consumer Rights Act 2015.

This warranty is given by HHGL Limited, MK9 1BA, HHGL (ROI) Limited, DO2 X576.

Please note: This warranty does not apply to products misused or neglected and only covers domestic use. It does not apply to commercial use of the product.