

# POWERBASE

3000W Electric  
Blower and Vacuum 577177

## Instruction Manual

**IMPORTANT!**  
Please read these  
instructions fully before  
starting assembly.



These instructions contain important information that will help you get the best from your product, ensuring it is assembled correctly and safely. If you need help or have damaged or missing parts, call the Customer Helpline on 01904 727 509.

# Contents

|                         |    |
|-------------------------|----|
| General safety warnings | 3  |
| Warning symbols         | 16 |
| In the box              | 17 |
| Assembly                | 19 |
| Operation               | 22 |
| Maintenance and repair  | 27 |
| Troubleshooting         | 29 |
| Technical data          | 30 |
| Disposal                | 32 |
| Getting help            | 32 |
| Warranty                | 32 |

# General Safety Warnings

## General power tool safety warnings



**WARNING! Read all safety warnings and instructions.**

Failure to follow the warnings and instructions may result in electric shock, fire and/or serious injury.

**Save all warnings and instructions for future reference.**

The term 'power tool' in the warnings refers to your mains-operated (corded) power tool or battery-operated (cordless) power tool.

- This product is not intended for use by persons (including children) with reduced physical, sensory or mental capabilities, or lack of experience and knowledge, unless they have been given supervision or instruction concerning use of the appliance by a person responsible for their safety.
- Only use the product in the manner and for the functions described in these instructions.

## Work area safety

- **Keep the work area clean and well lit.** Cluttered or dark areas invite accidents.
- **Do not operate power tools in explosive atmospheres,** such as in the presence of flammable liquids, gases or dust. Power tools create sparks which may ignite the dust or fumes.
- **Keep children and bystanders away while operating a power tool.** Distractions can cause you to lose control.

## Electrical safety

- **Power tool plugs must match the outlet.** Never modify the plug in any way. Do not use any adaptor plugs with earthed (grounded) power tools. Unmodified plugs and matching outlets will reduce risk of electric shock.
- **Avoid body contact with earthed or grounded surfaces, such as pipes, radiators, ranges and refrigerators.** There is an increased risk of electric shock if your body is earthed or grounded.
- **Do not expose power tools to rain or wet conditions.** Water entering a power tool will increase the risk of electric shock.

- **Do not abuse the cord.** Never use the cord for carrying, pulling or unplugging the power tool. Keep cord away from heat, oil, sharp edges or moving parts. Damaged or entangled cords increase the risk of electric shock.
- **When operating a power tool outdoors, use an extension cord suitable for outdoor use.** Use of a cord suitable for outdoor use reduces the risk of electric shock.
- **If the supply cord is damaged, it must be replaced by the manufacturer, its service agent or similarly qualified persons in order to avoid a hazard.**
- **It is recommended that appliances should be supplied via a residual current device (RCD) with a tripping current of not more than 30mA.**

## Personal safety

- **Stay alert, watch what you are doing and use common sense when operating a power tool. Do not use a power tool while you are tired or under the influence of drugs, alcohol or medication.** A moment of inattention while operating power tools may result in serious personal injury.
- **Use Personal Protective Equipment (PPE). Always wear eye protection.** Protective equipment, such as a dust mask, non-skid

safety shoes, hard hat, or hearing protection used for appropriate conditions, will reduce personal injuries.

- **Prevent unintentional starting. Ensure the switch is in the ‘off’ position before connecting to a power source and/or battery pack, picking up or carrying the tool.** Carrying power tools with your finger on the switch or energising power tools that have the switch on invites accidents.
- **Remove any adjusting key or wrench before turning the power tool on.** A wrench or a key left attached to a rotating part of the power tool may result in personal injury.
- **Do not overreach. Keep proper footing and balance at all times.** This enables better control of the power tool in unexpected situations.
- **Dress properly. Do not wear loose clothing or jewellery. Keep your hair, clothing and gloves away from moving parts.** Loose clothes, jewellery or long hair can be caught in moving parts.
- **If devices are provided for the connection of dust extraction and collection facilities, ensure these are connected and properly used.** Use of a dust collection device can reduce dust-related hazards.

## Power tool use and care

- **Do not force the power tool. Use the correct power tool for your application.** The correct power tool will do the job better and safer at the rate for which it was designed.
- **Do not use the power tool if the switch does not turn it on and off.** Any power tool that cannot be controlled with the switch is dangerous and must be repaired.
- **Disconnect the plug from the power source and/or the battery pack from the power tool before making any adjustments, changing accessories, or storing power tools.** Such preventive safety measures reduce the risk of starting the power tool accidentally.
- **Store idle power tools out of the reach of children and do not allow persons unfamiliar with the power tool or these instructions to operate the power tool.** Power tools are dangerous in the hands of untrained users.
- **Maintain power tools. Check for misalignment or binding of moving parts, breakage of parts and any other condition that may affect the power tools operation. If damaged, have the power tool repaired before use.** Many accidents are caused by poorly maintained power tools.
- **Keep cutting tools sharp and clean.**

Properly maintained cutting tools with sharp cutting edges are less likely to bind and are easier to control.

- **Use the power tool, accessories and tool bits, etc., in accordance with these instructions, taking into account the working conditions and the work to be performed.** Use of the power tool for operations different from those intended could result in a hazardous situation.

## Training

- Read the instructions carefully. Be familiar with the controls and the correct use of the machine.
- Never allow children or people unfamiliar with these instructions to use the machine. Local regulations can restrict the age of the operator.
- Keep in mind that the operator or user is responsible for accidents or hazards occurring to other people or their property.

## Preparation

- Obtain ear protection and safety glasses. Wear them at all times while operating the machine.
- While operating the machine, always wear substantial footwear and long trousers.



Do not operate the machine when barefoot or wearing open-toed sandals. Avoid wearing clothing that is loose fitting or that has hanging cords or ties.

- Do not wear loose clothing or jewellery that can be drawn into the air inlet. Keep long hair away from the air inlets.
- Operate the machine in a recommended position and only on a firm, level surface.
- Do not operate the machine on a paved or gravel surface where ejected material could cause injury.
- Before using, always visually inspect to see that the shredding means, shredding means bolts and other fasteners are secure, the housing is undamaged and that guards and screens are in place. Replace worn or damaged components in sets to preserve balance. Replace damaged or unreadable labels.
- Before use, check the supply and extension cord for signs of damage or aging. If the cord becomes damaged during use, disconnect the cord from the supply immediately. **DO NOT TOUCH THE CORD BEFORE DISCONNECTING THE SUPPLY.** Do not use the machine if the cord is damaged or worn.

## Operation

- Before starting the machine, make certain that the feeding chamber is empty.
- Keep your face and body away from the feed intake opening.
- Do not allow hands or any other part of the body or clothing inside the feeding chamber, discharge chute, or near any moving part.
- Keep proper balance and footing at all times. Do not overreach. Never stand at a higher level than the base of the machine when feeding material into it.
- Always stand clear of the discharge zone when operating this machine.
- When feeding material into the machine be extremely careful that pieces of metal, rocks, bottles, cans or other foreign objects are not included.
- If the cutting mechanism strikes any foreign objects or if the machine should start making any unusual noise or vibration, immediately shut off the power source and allow the machine to stop. Disconnect the machine from the supply and take the following steps before restarting and operating the machine:
  - inspect for damage;
  - replace or repair any damaged parts;

- check for and tighten any loose parts.
- Do not allow processed material to build up in the discharge zone; this may prevent proper discharge, and can result in kickback of material through the intake opening.
- If the machine becomes clogged, shut off the power source and disconnect the machine from supply before cleaning debris.
- Never operate the machine with defective guards or shields, or without safety devices, for example debris collector in place.
- Keep the power source clean of debris and other accumulations to prevent damage to the power source or possible fire.
- Do not transport this machine while the power source is running.
- Stop the machine, and remove the plug from the socket. Make sure that all moving parts have come to a complete stop:
  - whenever you leave the machine;
  - before clearing blockages or unclogging the chute;
  - before checking, cleaning or working on the machine.
- Do not tilt the machine while the power source is running. Switch off the machine before attaching or removing the bag.

## Maintenance and storage

- When the machine is stopped for servicing, inspection, or storage, or to change an accessory, shut off the power source, disconnect the machine from the supply and make sure that all moving parts come to a complete stop. Allow the machine to cool before making any inspections, adjustments, etc. Maintain the machine with care and keep it clean.
- Store the machine in a dry place out of the reach of children.
- Always allow the machine to cool before storing.
- When servicing the shredding means, be aware that, even though the power source is switched off due to the interlock feature of the guard, the shredding means can still be moved.
- Replace worn or damaged parts for safety. Use only genuine replacement parts and accessories.

## Intended use

- The device is designed only for blowing and suction of light DRY debris, such as leaves, grass, mulch and clippings from domestic gardens. Avoid wet materials, as it may lead to congestion in the shredder unit and lead to reduced functionality. Every other

utilisation, which is not explicitly approved in these directions, can lead to damage to the device and represents a serious danger to the user.

- For safety reasons, it is essential to read the entire instruction manual before first operation and to observe all the instructions herein.
- This product is intended for private domestic use only, not for any commercial trade use. It must not be used for any other purposes.

## **Recommendation**

- The machine should be supplied via a residual current device (RCD) with a tripping current of not more than 30mA.
- If the supply cord is damaged, it must be replaced by the manufacturer, its service agent or similarly qualified persons, in order to avoid a hazard.
- Supply cords shall not be lighter than
  - if rubber insulated, ordinary tough rubber sheathed flexible cord (code designation HO5 RN-F).
  - if polyvinyl chloride insulated, ordinary polyvinyl chloride sheathed flexible cord (code designation HO5 VV-F).

## Emergency



### **WARNING!**

**Familiarise yourself with the use of this machine by means of this instruction manual. Memorise the safety directions and follow them to the letter. This will help to prevent risks and hazards.**

- Always be alert when using the machine so that you can recognise and handle risks early. Fast intervention can prevent serious injury and damage to property.
- If there is any malfunction, switch off and disconnect from the power supply. Have the machine checked by a qualified specialist and repaired if necessary before you put it into operation again.

## Residual risks



### **WARNING!**

**Even if you are operating the machine in accordance with all safety requirements, potential risks of injury and damage remain. The following dangers can arise in connection with the structure and design of this machine:**

- Health defects resulting from vibration emission, e.g. if the machine is being used over long periods of time, or not adequately managed and properly maintained.

- Injuries and damage to property due to broken tools or sudden impact of hidden objects during use. Danger of injury and property damage caused by flying objects.
- Do not abuse the cord. Never use the cord for carrying, pulling or unplugging the machine. Keep the cord away from heat, oil, sharp edges and moving parts. Damaged or entangled cords increase the risk of electric shock.



**WARNING!**

**This machine produces an electromagnetic field during operation! This field may, under some circumstances, interfere with active or passive medical implants! To reduce the risk of serious or fatal injury, we recommend persons with medical implants consult their doctor and medical implant manufacturer before operating this product!**

# Warning Symbols



Caution/Warning!



Read operator's manual.



There is a risk that some objects could be thrown out by the machine. Keep bystanders away.



Disconnect the mains plug if the cord becomes damaged or entangled.



Do not expose and operate the product to rain or wet conditions.



Wear eye protection

Wear hearing protection



Guaranteed sound power level value in 106 dB (A).



WEEE symbol. Waste electrical products should not be disposed of with household waste. Please recycle where facilities exist. Check with your local authority or retailer for recycling device.





Conforms to relevant EU regulatory requirements.



Conforms to relevant UK regulatory requirements.



Class II equipment.



Do not open or remove safety shields while motor is running.



Severing of fingers or hand - impeller blade.

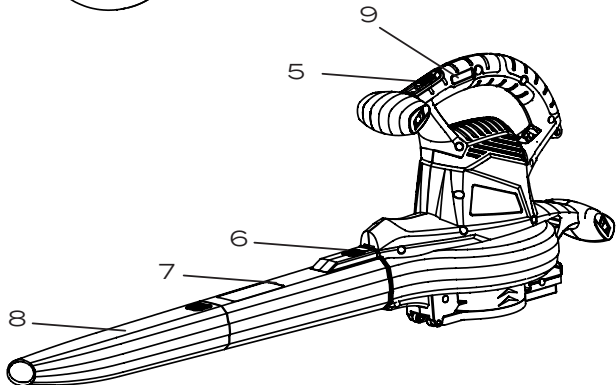
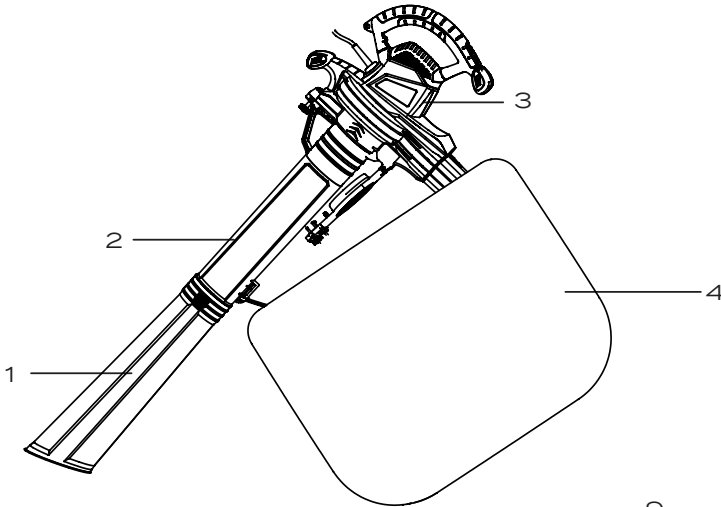


SWITCH OFF: Remove plug from mains before cleaning or maintenance

# In the Box

## Parts

1. Lower vacuum tube
2. Upper vacuum tube
3. Motor housing
4. Collection bag
5. On/Off switch
6. Blower tube lock button
7. Upper blower tube
8. Lower blower tube
9. Speed control



# Assembly



**Caution!** Read all the instructions before assembly. Failure to do so may result in faulty assembly and potential injury! Assemble product on a soft, non-abrasive surface, such as carpet or cardboard, to avoid damaging the item. Seek assistance to assemble bulky or heavy items.

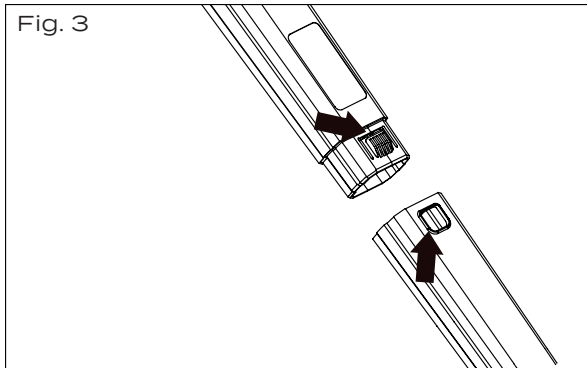


**WARNING!** Remove the plug from the power supply before assembly or adjustment.

## Assembly for blower mode

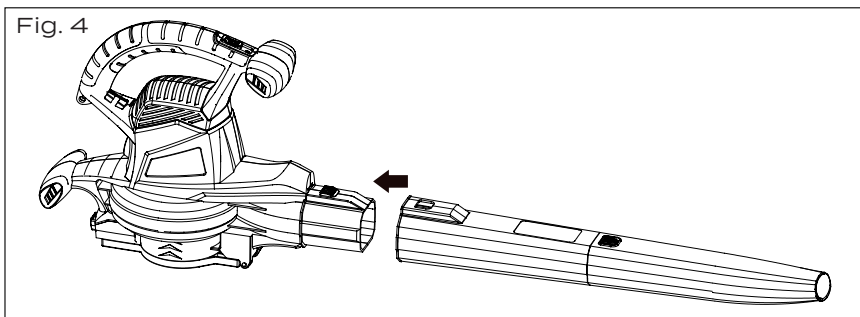
### Attaching the blower tube (fig. 3 & 4)

1. Push the lower tube firmly into the upper tube until the tubes 'click' into place.



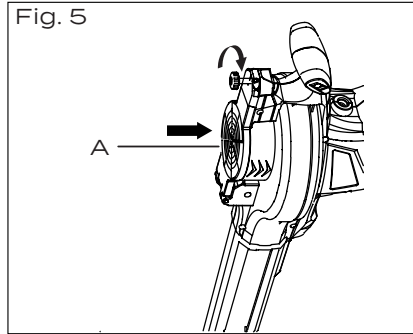
2. Push the blower tube forward until the notched areas on the blower housing lock into the slots on the tube, as shown in Fig. 4.

**NOTE:** Blower tube must be assembled to the motor housing before use. Never operate without tube assembled.



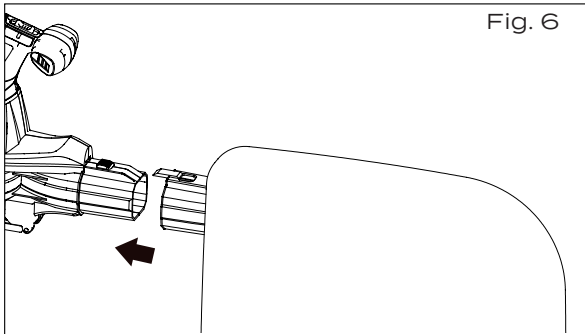
3. Ensure vacuum cover (A) is attached to the motor housing. If not, screw the vacuum cover as shown in Fig. 5.

**NOTE:** Tool will not operate in blower mode without vacuum cover in place.

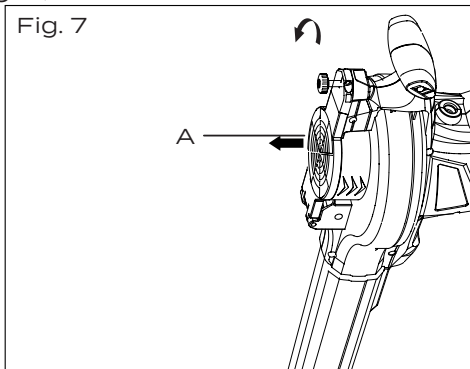


## Assembly for vacuum mode

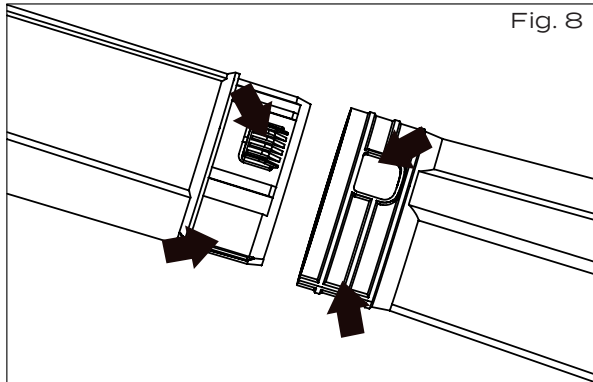
1. Attach the push-on collection bag connector to the outlet tube of the housing. Push the fitting of the collection bag directly onto the outlet until it 'clicks' into the position as shown in Fig. 6.



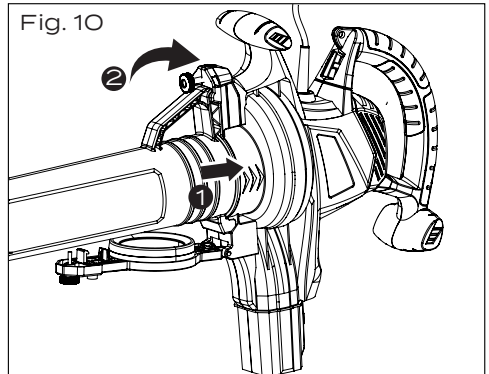
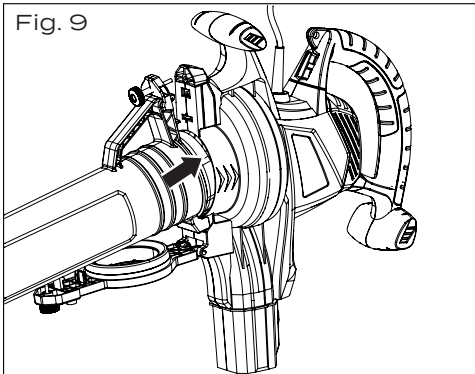
2. Open the vacuum cover (A) from the bottom of the motor housing by unscrewing the lock button and pulling the cover down (Fig. 7).



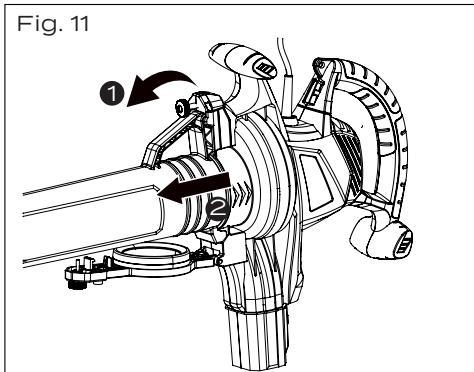
3. Align the lower vacuum tube to the upper vacuum tube until the tubes 'click' into place (Fig. 8).



4. Attach the vacuum tube assembly to the motor housing by locating the assembly, as indicated by the arrow, then pivot about this point until the locking/release catch is fully engaged (Fig. 9 & 10).



5. To remove the vacuum tube, unscrew the lock bottom and pull straight off (Fig. 11).



# Operation



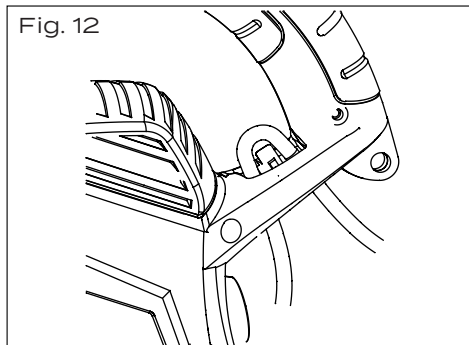
**WARNING!** Flying debris can cause serious personal injury to the operator, bystanders or pets. Keep bystanders and pets at least 15 feet away from the area of work, and always wear suitable eye and ear protection, long pants and sturdy shoes or boots while operating the tool.

## Use of extension cord



**WARNING!** A damaged extension cord can cause electric shock or a fire. Please inspect the extension cord periodically. The tool must not be used if the cord is damaged in any way. Replace a damaged extension cord before use.

1. Use a heavy-duty extension cord suitable for outdoor use and so marked. An ordinary duty extension cord will cause loss of power and may overheat.
2. Keep the extension cord behind you, away from the area of operation.
3. Use the extension as shown in Fig. 12.



## Operation of the Blower Vac

The blower vac is fitted with a variable speed switch located on the top of the motor housing below the handle. Prior to using the blower vac, ensure you have read and understood this user manual.

Ensure you are wearing suitable clothing and also safety equipment like safety glasses, ear protection and mask if necessary. Ensure the attachments to the blower vac are correctly fitted and adjusted. Be aware of other people and animals in the area where you are to be operating the blower vac.

### To turn the blower vac on

1. Plug the power cord into an approved electrical extension cord, and connect to the power source.
2. To turn the tool on, push the switch button to position 'I', see Fig. 13.
3. To adjust the speed, turn the speed control switch (9) from '1' to '6' (Min. to Max.), see Fig. 14.

Fig. 13

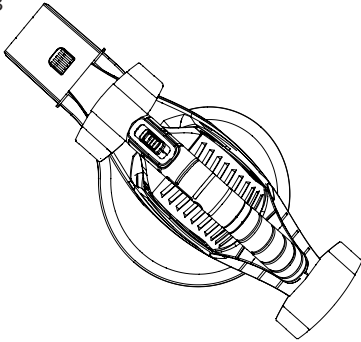
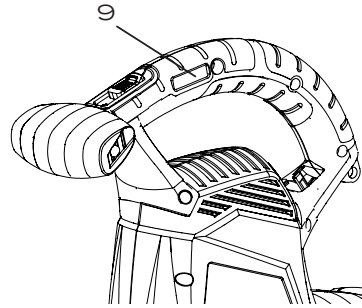


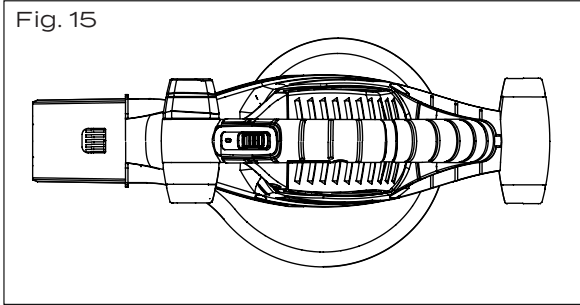
Fig. 14



**WARNING!** Be sure to hold the blower vac firmly on start up.

## To turn the blower vac off

To turn the tool off, pull the switch button back to position 'O' (Fig. 15).



**IMPORTANT:** After you have turned the blower vac off, remove the plug from the power supply.



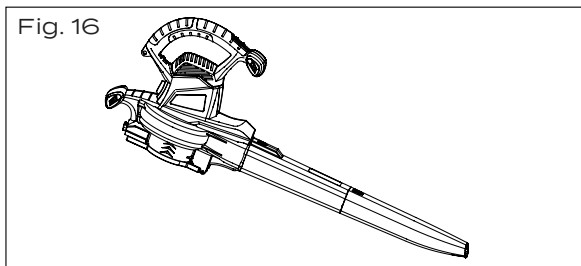
**WARNING!** The tool runs for approximately 5 seconds after it has been switched off. Let the motor come to a complete standstill before setting the tool down.



**WARNING!** Ensure product is switched off and disconnected from the power supply.

## Blower mode (Fig. 16)

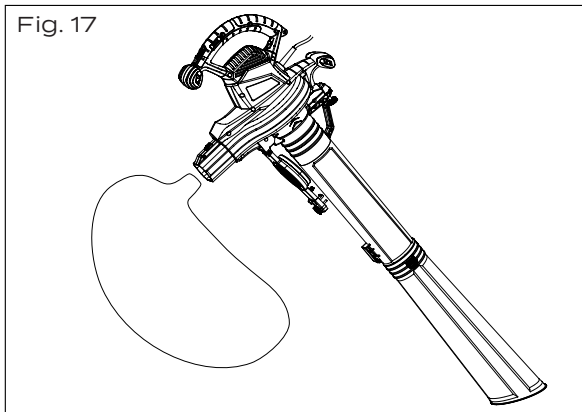
- Attach the blower tube assembly to the motor housing.
- Connect the extension cord to the tool, then plug into a power supply.
- Hold the blower tube approximately 2 to 4 inches above the ground, turn the blower vac on and using a sweeping motion from side to side, advance slowly keeping the accumulated debris/leaves in front of you.
- Once you have blown the debris/leaves into a pile, you can convert to vacuum mode to collect the debris.





## Vacuum mode (Fig. 17)

- Remove blower tube and attach the shoulder collection bag onto the tool.
- Attach the vacuum tube.
- Attach the collection bag to the motor housing.
- Connect the extension cord to the tool, then plug into a power supply.
- Position the tube slightly above the debris/leaves. Turn the blower vac on, then using a sweeping motion the debris/leaves will be sucked up the tube, mulched and deposited into the collection bag.
- As the bag fills, the power of the suction will decrease. Turn off the blower vac and unplug from the power supply.



**WARNING!** Always make sure the collection bag is correctly attached.

Always be aware of what is being drawn up into the blow/vacuum tube. This product is only designed for dry garden debris like leaves, twigs and garden cuttings.

## To empty the collection bag

The collection bag is attached to the blower vac in two places. It is not necessary to remove the collection bag from the blower vac when the bag needs to be emptied. The rear of the bag has a full length zip. Simply open the zip and empty the contents. Be sure to close the zip prior to operating the blower vac again.



**WARNING!** Normal usage of the bag causes it to wear and deteriorate over time. A worn or deteriorated bag allows small objects to be thrown through the bag, possibly injuring the operator or bystanders. Check the bag frequently. If it is worn or deteriorated, replace it with a new vacuum bag.

## Operating Tips

The following points may assist you in the operation of the blower vac. Always try to vacuum dry leaves, cuttings or general garden debris. Wet materials are difficult to mulch and can cause the blower vac to clog. If the leaves or other debris are damp, then use the blower vac in blow selection to pile the leaves or other debris into one area. Vacuum and mulch the leaves when dry. Avoid using the vacuum on areas where there are stones or other hard objects. These objects will damage the impellor of the blower vac. It is also advisable not to allow the blower vac to pick up soil. Soil generally contains moisture and when combined with other garden debris can clog the blower vac. The blower vac is not a garbage disposal unit. Do not attempt to mulch any material other than general garden debris. For better performance and comfort, it is recommended the collection bag is emptied when it becomes approximately half full. This reduces the weight and allows the vacuum to operate at its highest level.

# Maintenance and Repair

## Maintenance and Repair



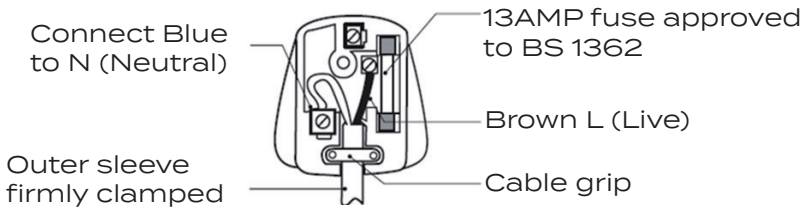
**WARNING!** Always switch the product off and let the product cool down before performing inspection, maintenance and cleaning work!

If you need to replace the fitted plug, then follow the instructions below.

**IMPORTANT:** The wires in the mains lead are coloured in accordance with the following code:

Blue – Neutral / Brown – Live

As the colours of the wire in the mains lead of this product may not correspond with the coloured markings identifying the terminals in your plug, proceed as follows. The blue wire must be connected to the terminal marked 'N' or coloured black. The brown wire must be connected to the terminal marked 'L' or coloured red.



### **WARNING!**

Never connect live or neutral wires to the earth terminal of the plug.



### **WARNING!**

Always wear protective gloves during maintenance operations. Do not carry out maintenance when the engine is running or hot.



### **WARNING!**

Use only manufacturer approved replacement parts, accessories and attachments. Failure to do so can cause possible injury and poor performance.

1. Store the tool, user manual and accessories in a secure, dry place. This way, you will always have the information ready.
2. Keep the tools air vents unclogged and clean at all times.
3. Remove dust and dirt regularly. Cleaning is best done with a rag or brush.

4. Never use caustic agents to clean plastic parts.
5. Empty the bag after each use to avoid deterioration and obstructing air flow, which will reduce the performance of the tool.
6. Wash the bag regularly and let it fully dry before zipping it closed.



**WARNING!**

Do not use cleaning agents to clean the plastic parts of the tool. A mild detergent on a damp cloth is recommended. Water must never come into contact with the tool.

## Storage

1. Clean the blower or vacuum tubes thoroughly before storing.
2. Store the blower vac in a dry, well-ventilated place that is inaccessible to children. Store the tool locked up to prevent unauthorised use or damage.

# Troubleshooting

## General Troubleshooting



**WARNING! Read the user guide first! Follow all safety precautions whenever diagnosing or servicing the tool. Disconnect power supply before service.**

| <b>Problem</b>        | <b>Possible Cause</b>  | <b>Fault Correction</b>  |
|-----------------------|--|--|
| Tool does not start.  | <ol style="list-style-type: none"><li>1. Tools On/Off switch is in the Off position.</li><li>2. Cord not connected.</li><li>3. No power at outlet.</li></ol> | <ol style="list-style-type: none"><li>1. Check whether the On/Off switch is in the On position.</li><li>2. Check that cord is plugged in.</li><li>3. Check power at outlet. If outlet is unpowered, turn off tool and check circuit breaker. If breaker is tripped, make sure circuit is right capacity for tool and circuit has no other loads.</li></ol> |
| Tool does not vacuum. | <ol style="list-style-type: none"><li>1. Leaf collection bag is full.</li><li>2. Internal damage or wear.</li></ol>  | <ol style="list-style-type: none"><li>1. Empty leaf collection bag.</li><li>2. Have authorised service centre service tool.</li></ol>  |
| Tool does not blow.   | <ol style="list-style-type: none"><li>1. Internal damage or wear.</li></ol>  | <ol style="list-style-type: none"><li>1. Have authorised service centre service tool.</li></ol>  |

**NOTE:** If the tool vibrates, please immediately stop using it. Have the tool inspected by an authorised service centre.

# Technical Data

## Technical Data Table

| Property                      | Value  |
|-------------------------------|--|
| Model no.                     | BV-14EG-3000B                                  |
| Motor voltage                 | 230-240V~/50Hz                                 |
| Power input                   | 3000W  |
| No-load speed                 | 7000-15000/min                                 |
| Max. blower air speed         | 336km/h  |
| Max. air flow                 | 12m <sup>3</sup> /min                          |
| Collection bag capacity       | 40L  |
| Net weight                    | 4.4kg  |
| Measured sound pressure level | 91.9dB(A), K=3dB(A)                            |
| Measured sound power level    | 103.15dB(A), K=3dB(A)                          |
| Guaranteed sound power level  | 106dB(A)                                       |
| Vibration (m/s <sup>2</sup> ) | 14.728m/s <sup>2</sup> , K=1.5m/s <sup>2</sup> |

The sound values have been determined according to noise test code given in EN 50636-2-100, using the basic standards EN ISO 8662 and EN ISO 3744.

The sound intensity level for the operator may exceed 80dB(A) and ear protection measures are necessary.

The declared vibration value has been measured in accordance with a standard test method and may be used for comparing one product with another. The declared vibration value may also be used in a preliminary assessment of exposure.



**WARNING! The vibration emission value during actual use of the machine can differ from the declared value, depending on the ways in which the machine is used. Identify safety measures to protect the operator that are based on an estimation of exposure in the actual conditions of use (taking account of all parts of the operating cycle, such as the times when the machine is switched off and when it is running idle, in addition to the trigger time).**



**WARNING!** This machine may cause Hand-Arm Vibration Syndrome (HAVS) if its use is not adequately monitored and managed.

Preventative measures include, among others, regular maintenance and care of the product and cutting attachments, keeping hands warm and periodical breaks, as well as proper planning of work processes.

# Disposal

The blower vac and its accessories are made of various recyclable materials. Dispose of the blower vac in accordance with your local recycling regulations.

# Getting Help

Our dedicated UK-based customer helpline is open 7 days a week to assist you with assembly, parts queries and technical support. We are open during office hours but you can always send an email via **support@coreservice.co.uk**. Our experts are here to get you back enjoying your garden in no time.

For useful assembly, starting and maintenance videos, and for ordering spares, please visit **www.coreservice.co.uk**.

Calling our service does not affect your statutory rights.

# Warranty

This product is covered by a 2 year warranty.

The warranty covers any manufacturing defect in materials, workmanship and finish.

Any claim under this warranty must be made by going to your nearest Homebase store, taking your proof of purchase with you, and claims must be made within 2 years of the date of purchase.

We will offer you a free repair of the item where this is possible, or a replacement or a refund. Your statutory rights remain unaffected, in particular any rights you may have under the Consumer Rights Act 2015.

This warranty is given by HHGL Limited, MK9 1BA; HHGL (ROI) Limited, DO2 X576.

Please note: This warranty does not apply to products misused or neglected and only covers domestic use. It does not apply to commercial use of the product. In addition, the warranty will be void for the following reasons: Any damage resulting from product misuse or product neglect.