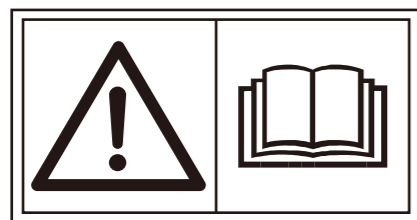
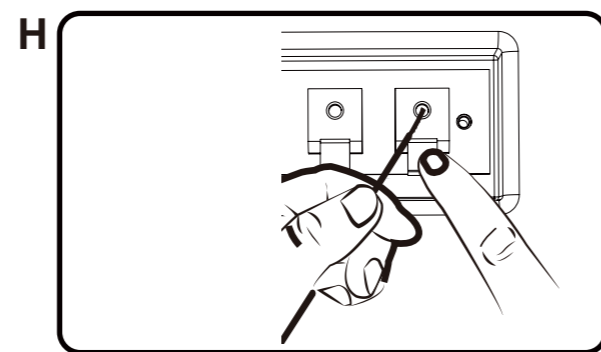
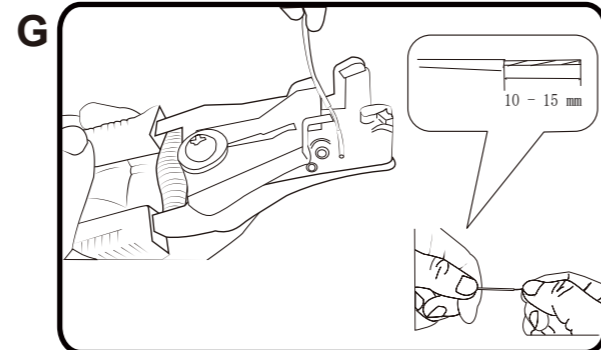
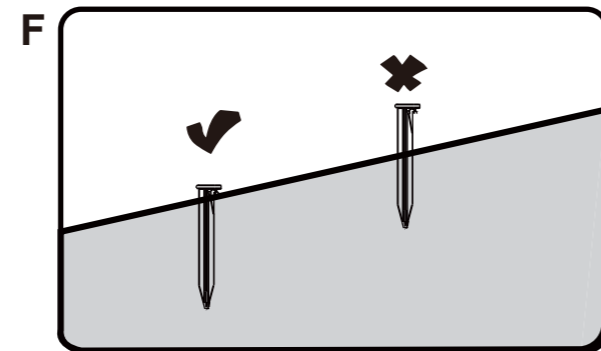
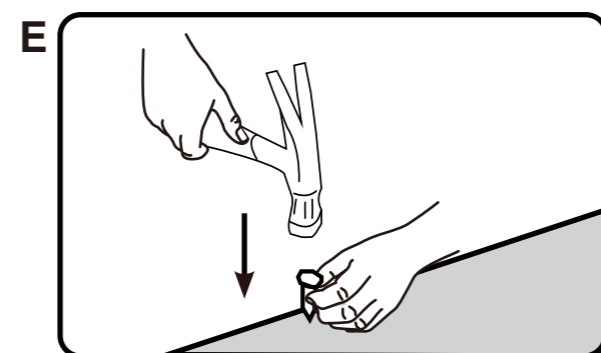
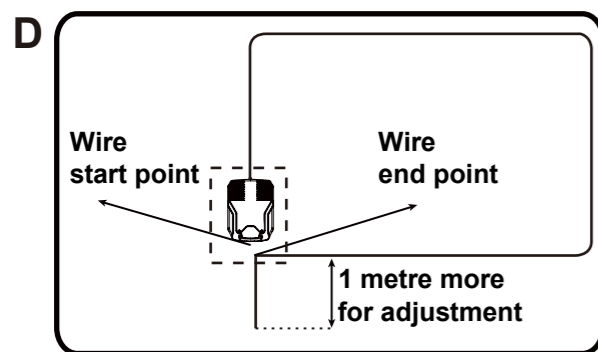
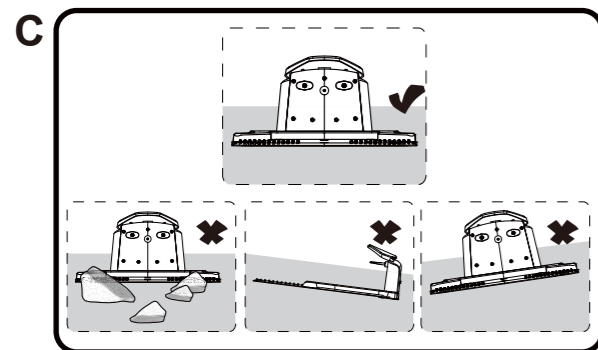
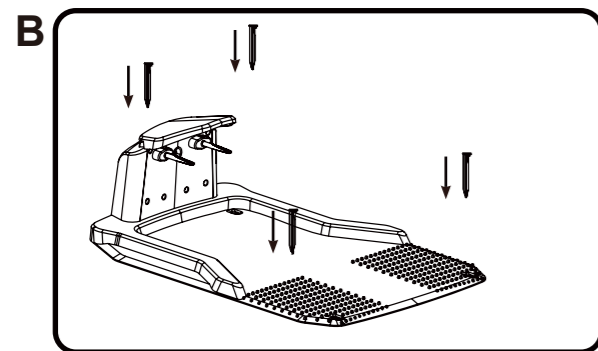
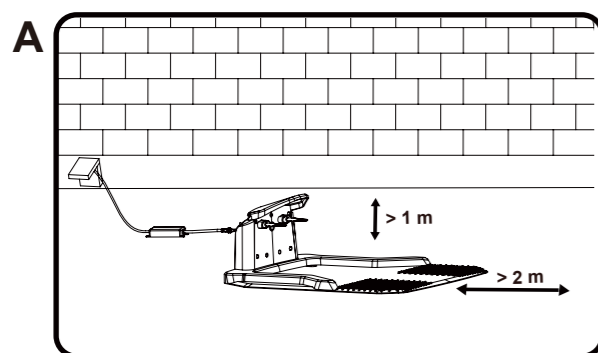


1

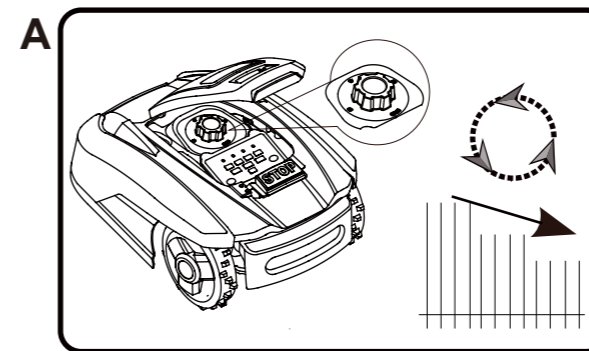


2

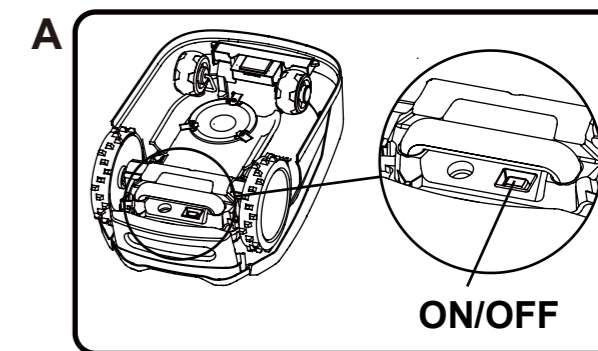
Positioning the docking station



3 Cutting height adjustment



4 Main switch location



5 Programming

