

OLYMPIATOOLS®

GOOD QUALITY. GREAT VALUE.

USER MANUAL

X20s™
BATTERY SYSTEM

MULTI TOOL 1x 2AH

X20SMT1



UK
CA CE

CONTENTS

CONTENTS

SAFETY INFORMATION	3-8	Overload protection.....	14
SAFETY WARNING SYMBOLS	3	Temperature dependent overload protection	14
Safety warning symbols - Battery charger	3	Protection against deep discharging.....	14
Safety warning symbols - Battery.....	3	Useful tips	15
Compliance and recycling symbols.....	3	TROUBLE SHOOTING	16
SAFETY WARNINGS - GENERAL POWER TOOLS	4-5	Reasons for different battery pack working times?	16
Work area safety.....	4	MAINTENANCE	16
Electrical safety.....	4	TECHNICAL SPECIFICATIONS	17-18
Personal safety.....	4-5	Multi tool.....	17
Power tool use and care.....	5	Battery pack	17
Battery tool use and care	5	Battery pack charger.....	17
Service	5	Noise/vibration information.....	18
SAFETY WARNINGS - MULTI TOOL	6	DISPOSAL	19
SAFETY WARNINGS - BATTERY PACK	7	Packaging materials	19
SAFETY WARNINGS - BATTERY PACK CHARGER	8	Electrical products.....	19
IN THE BOX	9	Batteries.....	19
OPERATION INSTRUCTIONS	10-15	STORAGE	20
Intended use	10	TRANSPORT	20
Charging the battery pack	10	GUARANTEE	21
Installing and removing the battery pack.....	10	UK DECLARATION OF CONFORMITY	22
Assembly.....	11	EU DECLARATION OF CONFORMITY	23
Inserting blades and accessories.....	11-12		
Removing blades and accessories	12		
Fitting the sanding sheet.....	12		
Removing the sanding sheet.....	12		
Operating the On/off switch.....	13		
Adjusting the variable speed control.....	13		
Using the LED work light	13		
Checking the battery pack capacity.....	14		
Disposal of an exhausted battery pack	14		

SAFETY INFORMATION



IMPORTANT: To reduce risk of injury, please read this user guide before assembly.

SAFETY WARNING SYMBOLS

The following warning symbols appear throughout this user guide and indicate the appropriate safety measures you should take when assembling and operating the multi tool.

⚠ WARNING!

This symbol marks a point of safety, indicating a warning. Ignoring this safety symbol could result in an accident to yourself or others. To limit the risks of injury, fire or electrocution, always follow the recommendations indicated.

Safety warning symbols - Battery charger



Protection Class II
(double insulated)



Indicates T3.15A time lag fuse
with rated current of 3.15A



For indoor
use only

Safety warning symbols - Battery



Do not burn



Do not expose to rain or water



Do not expose the battery to sunlight or excessive temperatures. Do not charge or store the battery where the temperature is below 0°C or greater than 45°C.



Positive terminal



Negative terminal



LI-ION

Olympia Tools provides a facility for the collection and recycling of rechargeable LI-ION batteries once they have reached the end of their working life. To dispose of your battery please return to any Olympia Tools stockist who will collect on our behalf. Alternatively consult your local waste authority for information regarding available recycling and/or disposal options. Your battery will then be recycled or dismantled in order to reduce the impact on the environment. Battery packs can be hazardous for the environment and for human health since they contain hazardous substances.

Compliance and recycling symbols



Complies with all relevant UK regulations



Complies with relevant European regulations



Waste electrical products must not be disposed of with household waste. Please recycle where facilities exist. Check with your local authority or retailer for recycling advice.

SAFETY INFORMATION



IMPORTANT: To reduce risk of injury, please read this user guide before assembly.

SAFETY WARNINGS - GENERAL POWER TOOLS

⚠ WARNING!

Read all safety warnings and instructions. Failure to follow warnings and instructions may result in electric shock, fire and/or serious injury.

Save all warnings and instructions for future reference.

The term "power tool" in the warnings refers to your mains-operated (corded) power tool or battery-operated (cordless) power tool.

Work area safety

1. **Keep work area clean and well lit.** Cluttered or dark areas invite accidents.
2. **Do not operate power tools in explosive atmospheres, such as in the presence of flammable liquids, gases or dust.** Power tools create sparks which may ignite the dust or fumes.
3. **Keep children and bystanders away while operating a power tool.** Distractions can cause you to lose control.

Electrical safety

1. **Power tool plugs must match the outlet. Never modify the plug in any way. Do not use any adapter plugs with earthed (grounded) power tools.** Unmodified plugs and matching outlets will reduce risk of electric shock.

2. **Avoid body contact with earthed or grounded surfaces, such as pipes, radiators, ranges and refrigerators.** There is an increased risk of electric shock if your body is earthed or grounded.
3. **Do not expose power tools to rain or wet conditions.** Water entering a power tool will increase the risk of electric shock.
4. **Do not abuse the cord. Never use the cord for carrying, pulling or unplugging the power tool. Keep cord away from heat, oil, sharp edges or moving parts.** Damaged or entangled cords increase the risk of electric shock.
5. **When operating a power tool outdoors, use an extension cord suitable for outdoor use.** Use of a cord suitable for outdoor use reduces the risk of electric shock.
6. **If operating a power tool in a damp location is unavoidable, use a residual current device (RCD) protected supply.** Use of an RCD reduces the risk of electric shock.

Personal safety

1. **Stay alert, watch what you are doing and use common sense when operating a power tool. Do not use a power tool while you are tired or under the influence of drugs, alcohol or medication.** A moment of inattention while operating power tools may result in serious personal injury.
2. **Use personal protective equipment. Always wear eye protection.** Protective equipment such as dust mask, non-skid safety shoes, hard hat, or hearing protection used for appropriate conditions will reduce personal injuries.



3. **Prevent unintentional starting. Ensure the switch is in the off-position before connecting to power source and/or battery pack, picking up or carrying the tool. Carrying power tools with your finger on the switch or energising power tools that have the switch on invites accidents.**

4. **Remove any adjusting key or wrench before turning the power tool on.** A wrench or a key left attached to a rotating part of the power tool may result in personal injury.
5. **Do not overreach. Keep proper footing and balance at all times.** This enables better control of the power tool in unexpected situations.
6. **Dress properly. Do not wear loose clothing or jewellery. Keep your hair, clothing and gloves away from moving parts.** Loose clothes, jewellery or long hair can be caught in moving parts.
7. **If devices are provided for the connection of dust extraction and collection facilities, ensure these are connected and properly used.** Use of dust collection can reduce dust-related hazards.
6. **Keep cutting tools sharp and clean.** Properly maintained cutting tools with sharp cutting edges are less likely to bind and are easier to control.
7. **Use the power tool, accessories and tool bits etc. in accordance with these instructions, taking into account the working conditions and the work to be performed.** Use of the power tool for operations different from those intended could result in a hazardous situation.

Battery tool use and care

1. **Recharge only with the charger specified by the manufacturer.** A charger that is suitable for one type of battery pack may create a risk of fire when used with another battery pack.
2. **Use power tools only with specifically designated battery packs.** Use of any other battery packs may create a risk of injury and fire.
3. **When battery pack is not in use, keep it away from other metal objects, like paper clips, coins, keys, nails, screws or other small metal objects, that can make a connection from one terminal to another.** Shorting the battery terminals together may cause burns or a fire.
4. **Under abusive conditions, liquid may be ejected from the battery; avoid contact.** If contact accidentally occurs, flush with water. If liquid contacts eyes, additionally seek medical help. Liquid ejected from the battery may cause irritation or burns.

Power tool use and care

1. **Do not force the power tool. Use the correct power tool for your application.** The correct power tool will do the job better and safer at the rate for which it was designed.
2. **Do not use the power tool if the switch does not turn it on and off.** Any power tool that cannot be controlled with the switch is dangerous and must be repaired.
3. **Disconnect the plug from the power source and/or the battery pack from the power tool before making any adjustments, changing accessories, or storing power tools.** Such preventive safety measures reduce the risk of starting the power tool accidentally.
4. **Store idle power tools out of the reach of children and do not allow persons unfamiliar with the power tool or these instructions to operate the power tool.** Power tools are dangerous in the hands of untrained users.
5. **Maintain power tools. Check for misalignment or binding of moving parts, breakage of parts and any other condition that may affect the power tool's operation. If damaged, have the power tool repaired before use.** Many accidents are caused by poorly maintained power tools.

Service

Have your power tool serviced by a qualified repair person using only identical replacement parts. This will ensure that the safety of the power tool is maintained.

SAFETY INFORMATION



IMPORTANT: To reduce risk of injury, please read this user guide before assembly.

SAFETY WARNINGS - MULTI TOOL

Common warnings all operations

1. **Hold power tool by insulated gripping surfaces, when performing an operation where the cutting accessory may contact hidden wiring or its own cord.** Cutting accessory contacting a "live" wire may make exposed metal parts of the power tool "live" and could give the operator an electric shock.
2. **Where possible, secure smaller workpieces to prevent them from moving under the tool.**
3. **Do not force the tool; let the tool do the work at a reasonable speed.** Overloading will occur if too much pressure is applied and the motor slows resulting in inefficient operating and possible damage to the motor.
4. **Only use accessories in good condition.** Do not use them if they are torn or worn.
5. **Do not touch the moving sanding sheet or blade.**
6. **Do not treat the surface to be worked with solvent-containing fluids.** Materials being heated by the scraping can cause toxic vapours to develop.
7. **Exercise extreme caution when handling the scraper accessory.** The accessory is very sharp; danger of injury.
8. **Keep your hands away from the cutting area.** Do not reach under the material being cut.
9. **Do not scrape wet or dampened materials e.g. wallpaper or on moist surfaces.** Penetration of water into the machine increases the risk of an electric shock.

10. **Use suitable detectors to determine if utility lines are hidden in the work area or call the local utility company for assistance.** Contact with electric cables can lead to fire and electric shock. Damaging a gas line can lead to an explosion. Penetrating a water pipe can cause property damage or may cause an electric shock.
11. **When working with the machine, always hold it firmly and provide a secure stance.** The power tool is guided more securely with both hands.
12. **Always wear a dust mask.**

Specific warnings for sanding

1. **Contact or inhalation of dust generated when working with the sander may be harmful or toxic and can endanger the health of the operator and bystanders.**
2. **Never use the sander on asbestos, painted surfaces that contain lead, or woods and metals which when sanded can create harmful or toxic dust.** Risk of poisoning and dust-related hazards.
3. **Always wear personal protective equipment when carrying out grinding/sanding work, or if you are in the vicinity of someone carrying out grinding/sanding work.** Protective equipment such as goggles and a dust mask will reduce personal injuries.
4. **Ensure that you removed foreign objects such as nails and screws from the workpiece before commencing sanding.**
5. **Do not use for wet sanding.** For dry sanding only.
6. **Do not use worn, torn, or heavily clogged sanding sheets.**
7. **Never sweep up or use compressed airlines as this will disturb the dust and allow it to become inhaled.** Always clean up using a vacuum cleaner suitable for fine dust particles. A suitable vacuum cleaner will reduce dust-related hazards.
8. **Never eat, drink or smoke at the workplace.** Risk of dust-related hazards.
9. **Never use a sander whilst barefoot or wearing sandals.** Risk of injury-related hazards.

SAFETY INFORMATION



IMPORTANT: To reduce risk of injury, please read this user guide before assembly.

SAFETY WARNINGS - BATTERY PACK

1. Do not dismantle, open or shred cells or battery pack.
2. Do not short-circuit a battery pack. Do not store battery packs haphazardly in a box or drawer where they may short-circuit each other or be short-circuited by conductive materials. When battery pack is not in use, keep it away from other metal objects, like paper clips, coins, keys, nails, screws or other small metal objects, that can make a connection from one terminal to another. Shorting the battery terminals together may cause burns or a fire.
3. Do not expose battery pack to heat or fire. Avoid storage in direct sunlight.
4. Do not subject battery pack to mechanical shock.
5. In the event of battery leaking, do not allow the liquid to come into contact with the skin or eyes. If contact has been made, wash the affected area with copious amounts of water and seek medical advice.
6. Seek medical advice immediately if a cell or battery pack has been swallowed.
7. Keep battery pack clean and dry.
8. Wipe the battery pack terminals with a clean dry cloth if they become dirty.
9. Battery pack needs to be charged before use. Always refer to this user guide and use the correct charging procedure.
10. Do not maintain battery pack on charge when not in use.
11. After extended periods of storage, it may be necessary to charge and discharge the battery pack several times to obtain maximum performance.
12. Battery pack gives its best performance when it is operated at normal room temperature ($20\text{ }^{\circ}\text{C} \pm 5\text{ }^{\circ}\text{C}$).
13. When disposing of battery packs, keep battery packs of different electrochemical systems separate from each other.
14. Recharge only with the charger specified by manufacturer. Do not use any charger other than that specifically provided for use with the equipment. A charger that is suitable for one type of battery pack may create a risk of fire when used with another battery pack.
15. Do not use any battery pack which is not designed for use with the equipment.
16. Keep battery pack out of the reach of children.
17. Retain this user guide for future reference.
18. Remove the battery from the equipment when not in use.
19. Dispose of properly.

SAFETY INFORMATION



IMPORTANT: To reduce risk of injury, please read this user guide before assembly.

SAFETY WARNINGS - BATTERY PACK CHARGER

WARNING!

Read all safety warnings and instructions. Failure to follow warnings and instructions may result in electric shock, fire and/or serious injury.

Save all warnings and instructions for future reference.

This appliance can only be used by children aged from 8 years and above and persons with reduced physical, sensory or mental capabilities or lack of experience and knowledge if they have been given supervision or instruction concerning use of the appliance in a safe way and understand the hazards involved. Children shall not play with the appliance. Cleaning and user maintenance shall not be made by children without supervision. If the supply cord is damaged, it must be replaced by the manufacturer, its service agent or similarly qualified persons in order to avoid a hazard.

1. Before charging, read the instructions.
2. After charging, disconnect the battery charger from the supply mains. Then remove the chassis connection and then the battery connection.
3. Do not charge a leaking battery.
4. Do not use chargers for works other than those for which they are designed.
5. Before charging, ensure charger matches the local AC supply.
6. For indoor use, do not expose to rain.
7. The charging device must be protected from moisture.
8. Do not use the charging device in the open.
9. Do not short out the contacts of battery or charger.
10. Respect the polarity "+/-" when charging.
11. Do not open the unit and keep out of the reach of children.
12. Do not charge the batteries of other manufactures or ill-suited models.
13. Ensure that the connection between the battery charger and battery is correctly positioned and is not obstructed by foreign bodies.
14. Check battery charger's slots are free of foreign objects and protect against dirt and humidity. Store in a dry and frost-free place.
15. When charging batteries, ensure that the battery charger is in a well-ventilated area and away from inflammable materials. Batteries can get hot during charging. Do not overcharge batteries. Ensure that batteries and chargers are not left unsupervised during charging.
16. Do not recharge non-rechargeable batteries, as they can overheat and break.
17. Longer life and better performance can be obtained if the battery pack is charged when the air temperature is between 18°C and 24°C. Do not charge the battery pack in air temperatures below 4°C, or above 40°C. This is important as it can prevent serious damage to the battery pack.
18. Charge only battery packs of the same model provided by manufacturer and of models recommended by manufacturer.

IN THE BOX



- | | | |
|-------------------|--------------------------------|--|
| 1. Tool holder | 6. 1x X20S™ 2.0Ah battery | 11. 1x Sanding pad |
| 2. LED work light | 7. Battery pack release button | 12. 8x Sanding sheets (assorted grits) |
| 3. Clamping lever | 8. Variable speed control | 13. 1x X20S™ Fast charger |
| 4. On/off switch | 9. 1x Scraper | |
| 5. Hand grip area | 10. 1x Plunge-cut blade | |

OPERATION INSTRUCTIONS



IMPORTANT: To reduce risk of injury, please read this user guide before use.

Intended use

The power tool is intended for sawing and remodelling wooden materials, plastics, plaster, non-ferrous metals and fasteners (e.g. nails and clamps) as well as for working on soft wall tiles and for dry grinding small surfaces. It is especially suitable for working close to edges and for flush cutting.

Charging the battery pack (See fig. A)

Before putting into operation charge the tool or battery pack.

1. Do not use any charger other than that specifically provided for use with the equipment.
2. If the battery pack is very hot you must remove your battery pack from the charger and allow time for the battery to cool down before recharging.
3. The battery in your new tool is not charged when it leaves the plant. Therefore it must be fully charged before using the first time.
4. Please charge the battery to reach full or no less than half charge before storage. If the tool will not be used for long periods of time, charge the battery every 3-6 months.

Plug the charger into a suitable power outlet before inserting the battery. Slide the battery pack into the charger ensuring that it is firmly seated and locked in place. The red (charging) light will illuminate and indicates that the charging process is in progress. A green light indicates that charging is complete. Remove the plug from the power outlet and slide the battery pack from the charger. The battery is ready for use.

⚠ WARNING!

When charging, the charger and battery may become warm to the touch, this is normal and does not indicate a problem.

When battery charge runs out after continuous use or exposure to direct sunlight or heat, allow time for the tool to cool down before re-charging to achieve the full charge.

Fig. A



Installing and removing the battery pack (See fig. B)

⚠ WARNING!

Before inserting or removing the battery pack, always make sure the On/off switch (4) is in the OFF position (0).

1. To remove the battery pack
Press the battery pack release button (7) firmly first and then slide the battery pack out from your tool.
2. To install the battery pack
Slide the fully charged battery pack onto the tool with sufficient force until it clicks into position.

Fig. B



Assembly

⚠ WARNING!

Remove the battery pack from the power tool before making any adjustments, changing accessories, or storing power tools. When mounting plunge-cut or scraper blades, wear protective gloves. Danger of injury when touching the blades. When changing blades take care that the tool holder is free of material residue, e.g. wood or metal shavings.

Inserting blades and accessories (See fig. C1, C2, C3, C4)

⚠ WARNING!

Remove the battery pack from the power tool before making any adjustments, changing accessories, or storing power tools.

⚠ WARNING!

Risk of injury (cuts from sharp edges). There is a danger of cutting even with a stationary tool. Wear gloves when changing blades.

⚠ WARNING!

Operating the clamping lever generates a large amount of spring force which can snap the clamping lever back into place and may cause injury. Avoid the clamping lever coming into contact with other objects when in the open position. Make sure to keep your fingers out of harm's way when fitting or removing blades and accessories.

Holding the clamping lever (3) in one hand, carefully move the clamping lever through 180° before letting go (See fig. C1).

Fig. C1



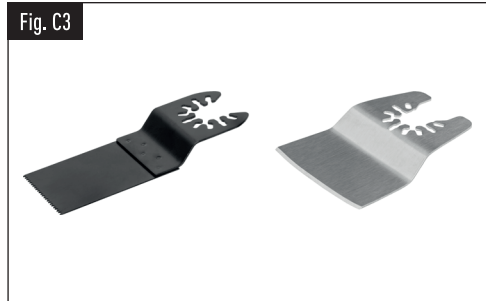
The tool holder (1) enables you to mount blades and accessories in different positions. Place the tool at the desired angle (See fig. C2).

Fig. C2



When using plunge-cut or scraper blades, be sure to insert the tools the right way up (See fig. C3).

Fig. C3



OPERATION INSTRUCTIONS

Close the clamping lever (3) until it clicks into the locked position (See fig. C4).



⚠ WARNING!

Ensure the accessory is securely fixed in place. A loose blade or accessory can fall out and lead to injuries.

Removing blades and accessories (See fig. C1, C4)

⚠ WARNING!

Remove the battery pack from the power tool before making any adjustments, changing accessories, or storing power tools.

⚠ WARNING!

Risk of burns. The tool may still be hot on completion of the work. There is a risk of burning. Allow a hot tool to cool down. Never clean a hot tool with flammable liquids.

⚠ WARNING!

Risk of injury (cuts from sharp edges). There is a danger of cutting even with a stationary tool. Wear gloves when changing blades.

Holding the clamping lever (3) in one hand, carefully move the clamping lever through 180° before letting go (See fig. C1).

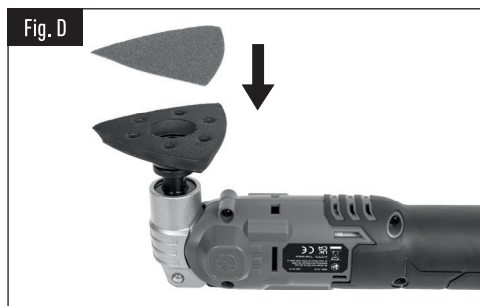
Remove the tool and close the clamping lever (3) until it clicks into the locked position (See fig. C4).

Fitting the sanding sheet (See fig. D)

This power tool features an easy hook and loop accessory fastening system for quick changing without clamps.

Fit the sanding pad (11) to the tool holder (1) as instructed in the previous section.

Then align the sanding sheet and press it onto the sanding pad by hand. The hole pattern in the sanding pad and sanding sheet must match. Firmly press the power tool with the sanding sheet against a flat surface and briefly switch the power tool on. This provides for good adhesion and prevents premature wear. If one point becomes worn, remove the sanding sheet, then turn 120° or replace it. Before fitting the sanding sheet, lightly tap the sanding pad (11) to release and dust or debris.



Removing the sanding sheet

To remove, simply peel the sanding sheet away from the sanding pad.

Operating the On/off switch

To switch the power tool ON: Slide switch (4) forward to (I).
To switch the power tool OFF: Slide switch (4) backward to (0).

Adjusting the variable speed control (See fig. E)

Use the variable speed control to set the optimal speed for the accessory used and corresponding application. Set the dial to level 1 for a low oscillation speed, level 6 for a high oscillation speed. Low speeds are generally best for scraping, cleaning or polishing, higher speeds for cutting, sanding or grinding. If you are unsure about the proper speed for your application test various speeds, starting with a low speed and gradually increasing until a comfortable speed is found.



Using the LED work light

The LED work light will illuminate when the On/off switch is in the (I) position and will automatically turn off a short while after the On/off switch is in the (0) position. This provides additional light on the surface of the workpiece for operation in lower light situations.

OPERATION INSTRUCTIONS

Checking the battery pack capacity (See fig. F)

Check the battery capacity via the coloured LEDs.

Press the button and check the LEDs:

Light	Status
1 green light on	Battery too low
2 green lights on	Battery half charged
3 green lights on	Battery fully charged

Fig. F



Disposal of an exhausted battery pack

Olympia Tools provides a facility for the collection and recycling of rechargeable LI-ION batteries once they have reached the end of their working life. To dispose of your battery please return to any Olympia Tools stockist who will collect them on our behalf. Alternatively consult your local waste authority for information regarding available recycling and/or disposal options. It will then be recycled or dismantled in order to reduce the impact on the environment. Battery packs can be hazardous for the environment and for human health since they contain hazardous substances.

Discharge your battery pack by operating your multi tool, then remove the battery pack from the multi tool housing and cover the battery pack connections with heavy-duty adhesive tape to prevent short circuit and energy discharge. Do not attempt to open or remove any of the components.



Overload protection

When overloaded, the motor comes to a stop. Relieve the load on the tool immediately and release the On/off switch. Restart the tool as normal.

Temperature dependent overload protection

When used as intended the power tool cannot be subject to overload. When the load is too high or the allowable battery temperature is too hot, the electronic control switches off the power tool until the temperature is in the optimum temperature range again.

Protection against deep discharging

The LI-ION battery is protected against deep discharging by the "Discharging Protection System". When the battery is empty, the tool is switched off by means of a protective circuit. The multi tool will no longer rotate. Remove the battery and recharge.

Useful tips

General

1. If your power tool becomes too hot, especially when used at low speed, set the speed to maximum and run it without load for 2-3 minutes to cool the motor. Avoid prolonged usage at very low speeds.
2. Always keep the blade sharp.
3. Always ensure the workpiece is firmly held or clamped to prevent movement. Any movement of the material may affect the quality of the cutting or sanding finish.
4. Start your tool before working and turn it off only after you stop working.
5. Do not start sanding without having the sandpaper fitted.
6. Do not allow the sandpaper to wear away, it will damage the sanding pad. The guarantee does not cover sanding pad wear and tear.
7. Use coarse grit paper to sand rough surfaces, medium grit for smooth surfaces and fine grit for finishing surfaces. If necessary, first make a test run on scrap material.
8. Excessive force will reduce the working efficiency and cause motor overload. Replacing the accessory regularly will maintain optimum working efficiency.

Sanding

Typical application: wood, metal; small areas, especially corners, edges and places difficult to access.

Select high oscillation frequency.

Sand with a constant movement and light pressure.

Heavy pressure does not result in greater sanding performance, instead it causes greater wear on the product and sanding sheet.

Sawing with radial saw blades

The workpiece must be inserted firmly or clamped tightly before it is cut.

Typical application: wood, PVC, soft metal sheet.

Select high oscillation frequency.

The saw blade lasts longer if the wear is distributed evenly.

To ensure an even distribution, loosen the saw blade, rotate it and retighten firmly.

Sawing with plunge-cut saw blades (See fig. G)

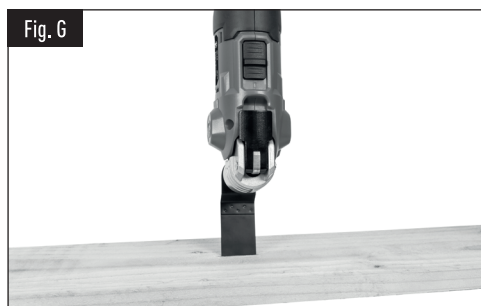
⚠ WARNING!

The sawing teeth are very sharp. Do not touch during fitting or application.

The workpiece must be inserted firmly or clamped tightly before it is cut.

Typical application: wood, plaster board, soft plastics and metal (e.g. nails).

When plunging and sawing use a slight pendulum motion, to allow sufficient chip removal.



Scraping

Typical application: Scraping off old varnish or adhesives, removing glued carpeting, e.g. on stairs or other small to medium-sized surfaces.

When scraping, hold the multi tool at an angle of 10° to 15° to the workpiece.

TROUBLE SHOOTING

Reasons for different battery pack working times?

Prolonged storage of a battery pack without use will reduce the battery pack working time. This can be corrected after several charge and discharge operations by charging and working with your multi tool. Heavy working conditions will use up the battery pack energy faster than lighter working conditions. Do not re-charge your battery pack below 0°C and above 45°C as this will affect performance.

MAINTENANCE

Your tool requires no additional lubrication or maintenance. There are no user serviceable parts in your power tool.

Never use water or chemical cleaners to clean your power tool. Wipe clean with a dry cloth.


Always store your power tool in a dry place.

Keep the motor ventilation slots clean. Keep all working controls free of dust.


Occasionally you may see sparks through the ventilation slots. This is normal and will not damage your power tool.

TECHNICAL SPECIFICATIONS




Multi tool

Model	TC8508K_20 (X20SMT1)
Code	09-970
Battery voltage	20V 
Battery capacity	1x X20S™ 2.0Ah LI-ION 40Wh
Charge time	1 hour
Oscillating speed (no-load)	5000-18000/min
Oscillation angle	3.0°
Weight	1.38kg

Battery pack

Model	JH002-20V (X20SB2)
Code	09-980
Battery voltage	20V 
Battery capacity	2.0Ah LI-ION 40Wh

Battery pack charger

Model	XZ2000-2400KSB (X20SFC)
Code	09-990
Input	220-240V~50-60Hz 65W
Output	DC20V  2.4A
Charging time	1 hour
Protection class II	
For indoor use only	

TECHNICAL SPECIFICATIONS

Noise/vibration information

Noise

A weighted sound pressure	L_{pA} : 83.0dB(A)
A weighted sound power	L_{wA} : 94.0dB(A)
	K_{pA} and K_{wA} = 3.0dB(A)

WARNING!

Wear ear protection when sound pressure is over: 80dB(A)

Vibration

Vibration total values (triax vector sum) determined according to EN 62841:

Typical weighted vibration	Vibration emission value $a_{h, D} = 4.55m/s^2$
	Uncertainty $K = 1.5m/s^2$

The declared vibration total value may be used for comparing one tool with another, and may also be used in a preliminary assessment of exposure.

WARNING!

The vibration emission value during actual use of the power tool can differ from the declared value depending on the ways in which the tool is used for example:

How the tool is used and the materials being cut or drilled.

The tool being in good condition and well maintained.

Use of the correct accessory for the tool and ensuring it is sharp and in good condition.

The tightness of the grip on the handles and whether any anti-vibration accessories are used.

The tool is being used as intended by its design and as detailed in this user guide.

This tool may cause hand-arm vibration syndrome if its use is not adequately managed.

WARNING!

To be accurate, an estimation of exposure level in the actual conditions of use should also take account of all parts of the operating cycle such as the times when the tool is switched off and when it is running idle but not actually doing the job. This may significantly reduce the exposure level over the total working period.

ALWAYS use sharp chisels, drills and blades.

Maintain this tool in accordance with these instructions and keep well lubricated (where appropriate).

If the tool is to be used regularly then invest in anti-vibration accessories.

Avoid using tools in temperatures of 10°C or less.

Plan your work schedule to spread any high vibration tool use across a number of days.

DISPOSAL

Packaging materials

Dispose of in an environmentally friendly way by adding to your recyclable waste bin, or by taking it to a public collection centre.



Electrical products

Waste electrical products should not be disposed of with household waste. Please recycle where facilities exist. Check with your Local Authority or retailer for recycling advice.



Batteries

Olympia Tools provides a facility for the collection and recycling of rechargeable LI-ION batteries once they have reached the end of their working life. To dispose of your battery please return to any Olympia Tools stockist who will collect on our behalf. Alternatively consult your local waste authority for information regarding available recycling and/or disposal options. Your battery will then be recycled or dismantled in order to reduce the impact on the environment. Battery packs can be hazardous for the environment and for human health since they contain hazardous substances.



LI-ION

STORAGE

Store the machine, operating instructions and where necessary the accessories in the original packaging. In this way you will always have all the information and parts ready to hand.

Pack the device well or use the original packaging in order to avoid transit damage.

Always keep the machine in dry place.

TRANSPORT

WARNING!

LI-ION batteries are subject to Dangerous Goods Legislation. The process for shipping LI-ION batteries can be difficult. There are many regulations you need to adhere to, and specific packaging and labelling instructions you need to follow when sending LI-ION batteries by ground or air via a third party (air freight, courier, etc.)

Ensure you take account of UN3481 regulations and any more detailed national regulations. If in doubt, contact the service provider you have chosen to ship your LI-ION batteries or consult an expert for hazardous material.

WARNING!

- Make sure your LI-ION battery is contained in its associated device
- Seal the On/off switches and any electrical terminals with tape
- Place your device in a plastic bag before packaging it
- Make sure you attach the correct shipping label for the service you're using to ship your LI-ION batteries
- You are responsible for ensuring all documentation is correct
- Make sure your package is secure and will not break if it is dropped
- Use as much hard-wearing packaging as you can
- You are not allowed to ship faulty LI-ION batteries
- Batteries can be transported by road without further requirements

GUARANTEE

This product is selected for **DOMESTIC USE ONLY** and not for business use. This product is guaranteed against manufacturing defects for a period of 24 months. This does not cover the product where the fault is due to misuse, abuse, use in contravention of the instructions, or where the product has been the subject of unauthorised modifications or alterations, or has been the subject of commercial use. In the event of a problem with the product within the guarantee period please return it to your nearest store. If the item is shown to have an inherent defect present at the time of sale, the store will provide you with a replacement. Your statutory rights remain unaffected.

UK DECLARATION OF CONFORMITY

1. Apparatus product/model

Product: X20S™ Multi tool 1x 2Ah

Model: TC8508K_20 (X20SMT1)

2. This declaration of conformity is issued under the sole responsibility of the manufacturer

3. Object of the declaration

Product: X20S™ Multi tool 1x 2Ah

Model: TC8508K_20 (X20SMT1)

Rated voltage: 20V

4. This X20S™ Multi tool 1x 2Ah model number TC8508K_20 (X20SMT1), fully complies with the Supply of Machinery (Safety) Regulations 2008, Electromagnetic Compatibility Regulations 2016, the Restriction of Use of Certain Hazardous Substances in Electrical & Electronic Equipment Regulations 2012, and the following standards:

EN 62841-1: 2015

EN 55014-1:2017+A11:2020

EN 62841-2-4: 2014

EN 55014-2:2015

5. This declaration is made under the sole responsibility of:

SUMEC HARDWARE AND TOOLS CO., LTD.

No. 1 Xinghuo Road, Jiangbei New Area, Nanjing, Jiangsu, 210061 China

Chief Engineer

Wenjun

Date: Jun,24,2021



EU DECLARATION OF CONFORMITY

1. Apparatus product/model

Product: X20S™ Multi tool 1x 2Ah

Model: TC8508K_20 (X20SMT1)

2. This declaration of conformity is issued under the sole responsibility of the manufacturer

3. Object of the declaration

Product: X20S™ Multi tool 1x 2Ah

Model: TC8508K_20 (X20SMT1)

Rated voltage: 20V

4. This X20S™ Multi tool 1x 2Ah model number TC8508K_20 (X20SMT1) fully complies with the Machinery Directive 2006/42/EC, Electromagnetic Compatibility Directive 2014/30/EC, RoHS Directive 2011/65/EU and the following harmonized EU standards:

EN 62841-1:2015

EN 62841-2-4:2014

EN 55014-1:2017+A11:2020

EN 55014-2:2015

5. This declaration is made under the sole responsibility of:

SUMEC HARDWARE AND TOOLS CO., LTD.

No. 1 Xinghuo Road, Jiangbei New Area, Nanjing, Jiangsu, 210061 China

Chief Engineer

Wenjun

Date: Jun,24,2021



OLYMPIATOOLS®

GOOD QUALITY. GREAT VALUE.

UK: Olympia Tools [UK] Ltd, Bull Lane,
Wednesbury, West Midlands, WS10 8RW

EU: Tucks O'Brien Ltd, 24 Magna Drive,
Magna Business Park, Citywest Road,
Dublin D24 FNYQ, Ireland

09-970