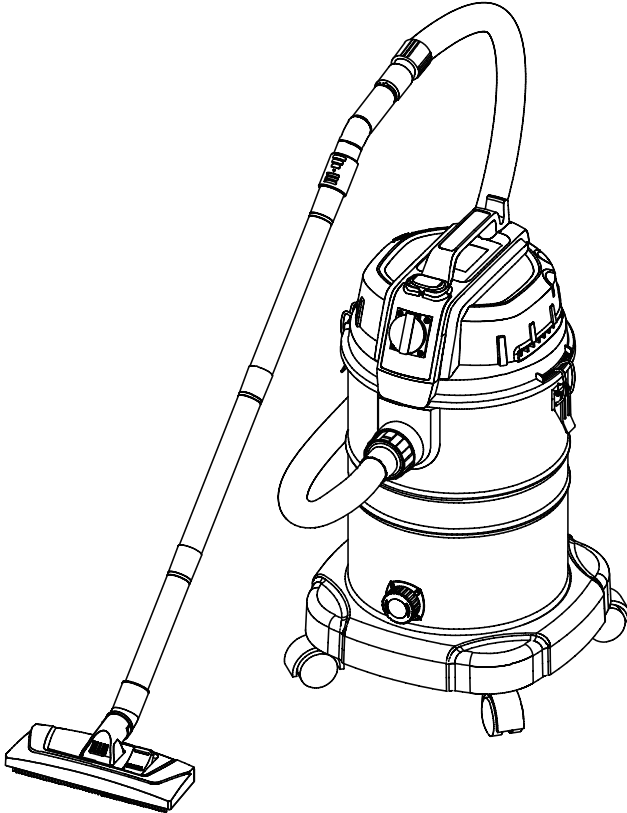


Original User's Instructions

30L Wet & Dry Vacuum Cleaner

With power take off

SKU: 17353



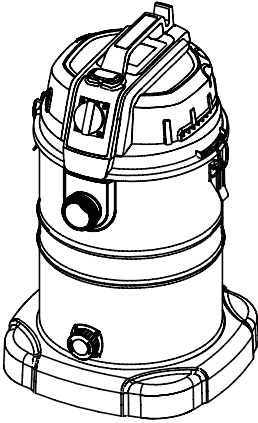
READ BEFORE USE

PLEASE KEEP THESE INSTRUCTIONS FOR FURTHER REFERENCE

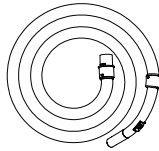
CONTENT

WHAT'S IN THE BOX -----	3
TOOLS REQUIRED-----	4
SPECIFICATIONS -----	4
EXPLANATIONS AND SYMBOLS, CAUTIONS AND WARNINGS -----	5
IMPORTANT SAFETY WARNINGS -----	6
PRODUCT DESCRIPTION AND IDENTIFICATIONS -----	8
ASSEMBLY AND OPERATING INSTRUCTIONS -----	9
CARE AND CLEANING -----	17
TROUBLE SHOOTING -----	18
DECLARATION OF CONFORMITY / PERFORMANCE -----	21
ENVIRONMENTAL INFORMATION -----	22
GUARANTEE -----	23
CUSTOMER SUPPORT -----	23

WHAT'S IN THE BOX



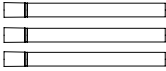
Vacuum assembly



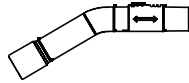
Hose



Hose adaptor



Extension tubes x 3



Tube holder



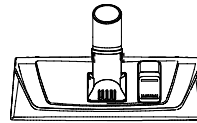
Hepa locking nut



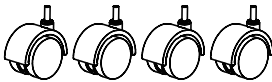
Cartridge filter (Hepa)



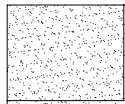
Crevice nozzle



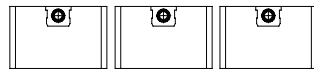
Duel action floor brush



Caster x 4



Foam filter



Dust bag x 3

If you do not have all these items, please contact:

www.coreservice.co.uk

Hotline: +44 01904 947568

Email support@coreservice.co.uk

SPECIFICATION

- 1600W
- 230V~,50Hz
- Max Vacuum Pressure : 23kPa Max Air
- Flow : 42.8L/sec Stainless steel tank
- Blower Function
- 5m power cable
- Power tool take off socket: 1500W max Power tool take off function (Applicable to (circular saw, drill, sanding machine, etc...))

Technical Data	
Model	ZD176PA-30L-1600W
Input voltage rating	220-240 V ~ 50 Hz
Maximum wattage from power take off socket	1500W
Input power	1600 W
Max. vacuum pressure	23 kPa
Max. air flow	42.8 L/sec
Container volume	30 L
Dry vacuum volume	18 L
Wet vacuum volume	16 L
Protection class	II / □
Weight(approx.)	8 kg
Protection degree	IPX4
Cable	H05VV-F /3X1.5mm ² , 5m, BS plug

EXPLANATIONS AND SYMBOLS, CAUTIONS AND WARNINGS



Warning!



Read the instructions



Wear eye protection



Wear a dust mask.



Wear hearing protection.



Wear protective gloves.



Wear face protection.



Wear tight-fitted protective clothes.



Switch the product off and disconnect it from the power supply before assembly, cleaning, adjustments, maintenance, storage and transportation.



Keep bystanders away!



Objects thrown by the product could hit the user or other bystanders. Always ensure that other people and pets remain at a safe distance from the product when it is in operation. In general, children must not come near the area where the product is.



Class II tool



The product complies with the applicable European directives, and an evaluation method of conformity for these directives was done.



Recycle unwanted materials instead of disposing of them as household waste. All tools, hoses and packaging should be sorted, taken to the local recycling centre and disposed of in an environmentally safe way.



The product complies with the applicable UK directives and an evaluation method of conformity for these directives was followed.

IMPORTANT SAFETY WARNINGS



WARNING! Read all safety warnings, instructions, illustrations and specifications provided with this power tool.

Failure to follow all instructions listed below may result in electric shock, fire and/or serious injury.

Save all warnings and instructions for future reference.

The term 'power tool' in the warnings refers to your mains-operated (corded) power tool or battery operated (cordless) power tool.

This appliance can be used by children aged 8 years and above and persons with reduced physical, sensory, or mental capabilities, or lack of experience and knowledge, if they have been given supervision or instruction concerning the use of the appliance in a safe way and understand the hazards involved.

Children must not play with the appliance. Cleaning and maintenance must not be undertaken by children without supervision.

If the supply cord is damaged, it must be replaced by the manufacturer, its service agent or similarly qualified persons in order to avoid a hazard.

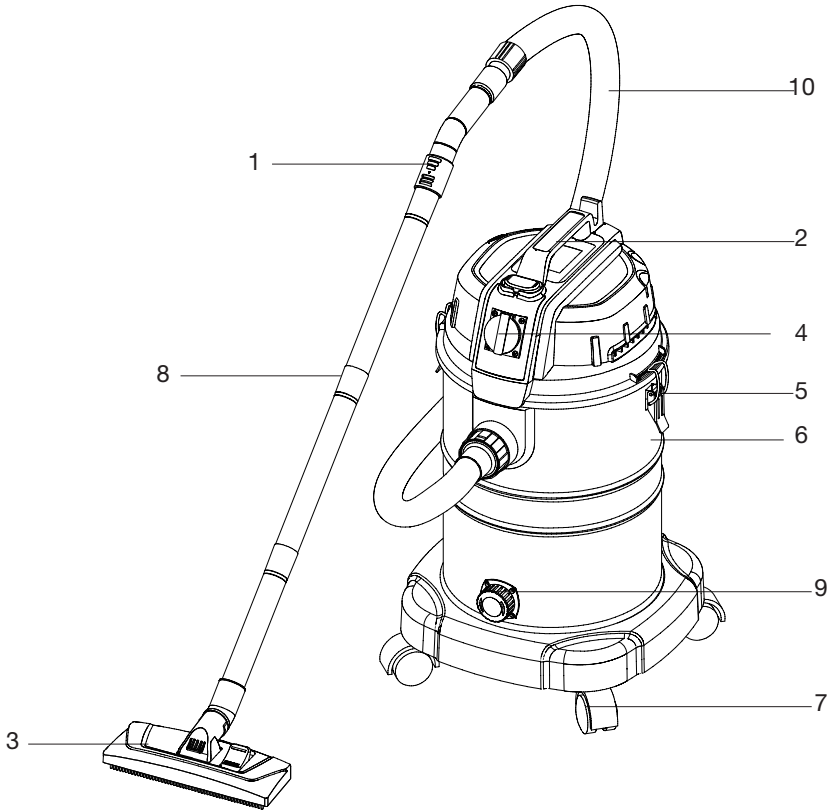
1. **IMPORTANT:** Read the operating instructions before assembling and using for the first time.
2. Check that the mains voltage is the same as the mains voltage specified on the rating plate.
3. Pull out the power plug in the following circumstances: Whenever the appliance is not in use, before opening the appliance, and before all cleaning and maintenance work.
4. Never clean the appliance with solvents.

5. Never pull the plug out of the socket by pulling the cable.
6. Never leave the appliance unattended when ready for use.
7. Keep away from children and pets.
8. Take care to ensure that the power cable does not get damaged by being run over, crushed, pulled or similar.
9. Do not use the appliance if the power cable is in less than perfect condition.
10. If the power cable has to be replaced, the replacement must comply with the design specifications of the manufacturer.
11. Never vacuum the following: Burning matches, smoldering ash and cigarette butts, combustible, caustic, flammable or explosive substances, vapour or liquids.
12. This appliance is not suitable for vacuuming dust, which can be harmful to health.
13. Store the appliance in a dry indoor location.
14. Never use the appliance if it is damaged.
15. Have the appliance serviced only by an authorized after-sales service outlet.
16. Use the appliance only to carry out work for which it has been designed.
17. Take extra care when cleaning steps.
18. Use only genuine accessories and spare parts.
19. Keep children and other persons away from the electric tool while it is being used. Allowing yourself to get distracted can cause you to lose control of the tool.

Service

Have your power tool serviced by a qualified repair person using only identical replacement parts. This will ensure that the safety of the power tool is maintained.

PRODUCT DESCRIPTION AND IDENTIFICATIONS



- | | |
|-------------------------------|-------------------------|
| 1. Air flow adjustment | 6. Stainless steel deck |
| 2. Carry handle | 7. Caster |
| 3. Duel action floor brush | 8. Extension tube |
| 4. Power tool take off socket | 9. Water outlet cover |
| 5. Latch | 10. Hose |

Not all the accessories illustrated or described are included in standard delivery.

ASSEMBLY AND OPERATING INSTRUCTIONS

Intended Use: The wet and dry vacuum cleaner is designed for wet and dry vacuuming using the appropriate filter. The appliance is not suitable for the vacuuming of combustible, explosive or harmful substances.

The machine is to be used only for its prescribed purpose. Any other use is deemed to be a case of misuse. The user / operator and not the manufacturer will be liable for any damage or injuries of any kind caused as a result of misuse. Please note that our equipment has not been designed for use in commercial, trade or industrial applications. Our warranty will be voided if the machine is used in commercial, trade or industrial businesses or for equivalent purposes.

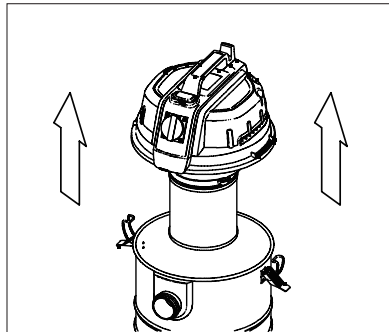
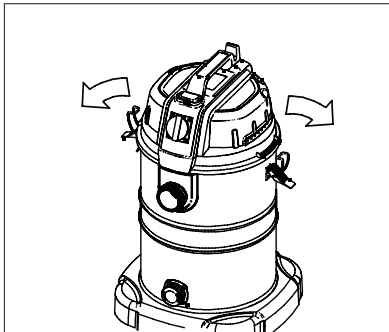


WARNING! To prevent serious injury from accidental operation, turn the vacuum power switch off and unplug the appliance from its electrical outlet before performing any procedure in this section.

Before you connect the vacuum to a mains supply, make sure that the data on the rating/technical label is identical to the mains data.

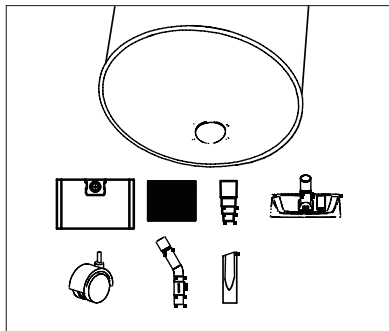
Assembly instructions

1. Unclamp latches.
2. Lift the power head off the container.

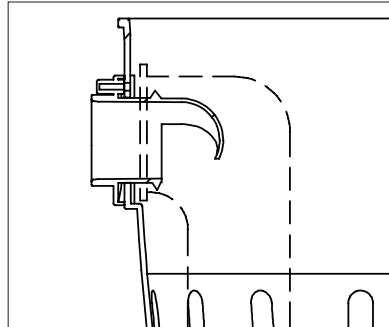
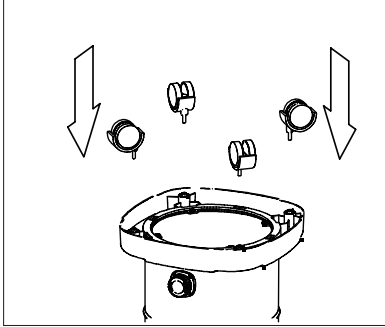


3. Remove all the contents from inside the container.

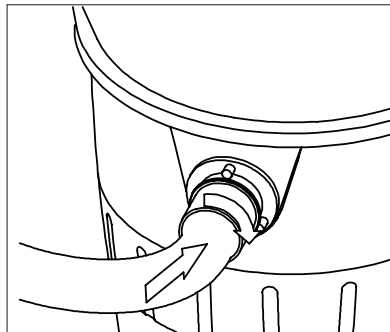
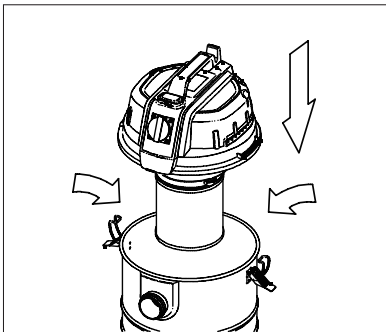
Warning: Not all contents are listed in the diagram.



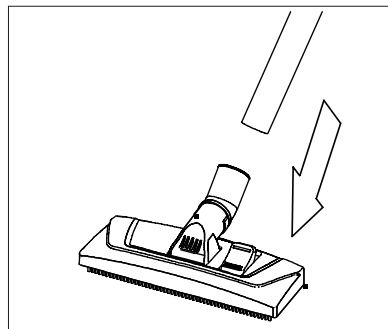
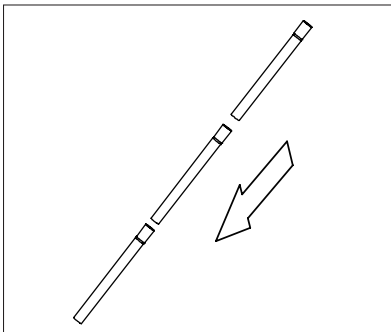
4. Insert the casters into their sockets on the underside of the container and apply pressure until the casters snap into place.
5. Attach filter (not required for blowing), see dry or wet operation for correct use of filter.



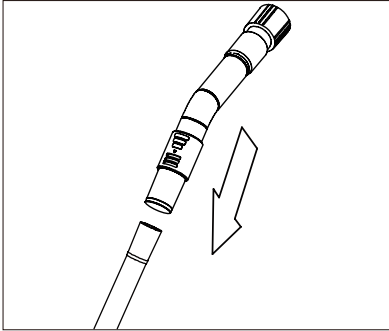
6. Place the power head back onto the container, secure into place by clamping shut the latches.
7. Insert the locking end of the hose (marked with an arrow) into the relevant port of the vacuum and turn to lock into place.



8. The extension tubes need to be assembled
9. Attachments can be pushed onto the tubes when required.

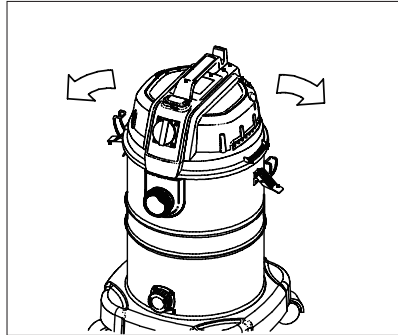
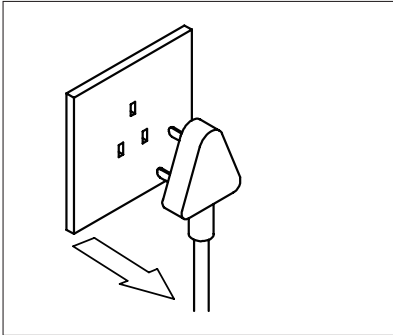


10. Connect the extension tubes with hose

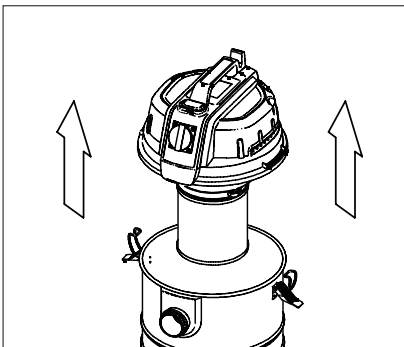


Dry vacuum operation

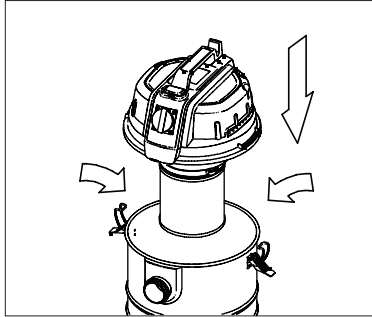
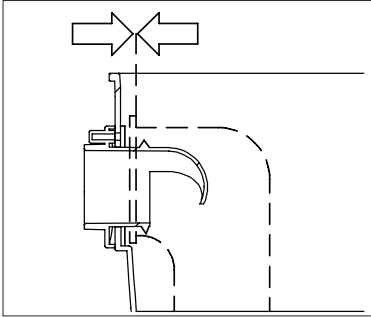
1. Ensure that the power cord is disconnected from the power outlet.
2. Remove the power head from the container as shown in the assembly instructions.



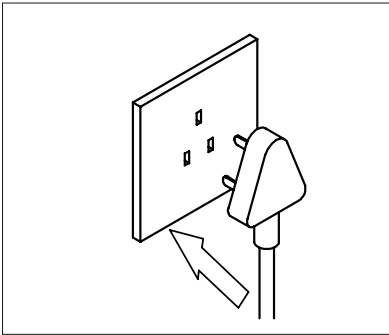
3. Fit the HEPA to the underside of the power head. Unlock the latch and pull out machine head. Check cartridge filter assembly on page 15.



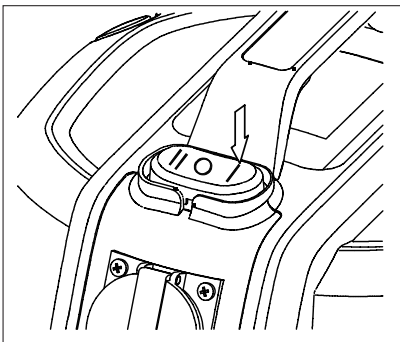
4. Firmly fit the dust bag over the suction hole until you hear a click ensuring the hole is completely covered. Warning! Assemble the dust bag incorrectly may causes dust leaking.
5. Place the machine head back onto the vacuum body and lock the latch correctly.



6. Connect the power cord to a suitable power outlet.

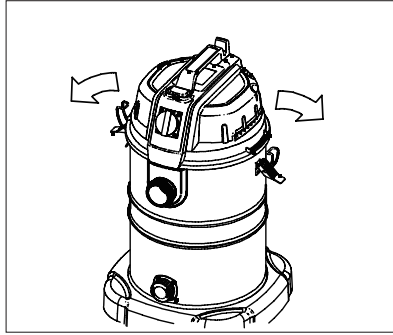
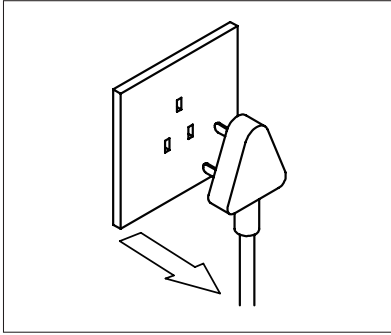


7. Switch on the vacuum and proceed to clean. (I=ON)
8. Switch off the vacuum before emptying. (O=OFF)
9. When emptying the container take care as this may be heavier than anticipated.
10. Clean filters and change if necessary.

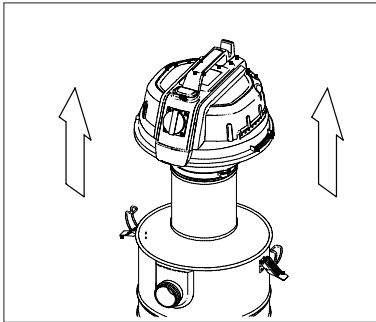


Wet vacuum operation

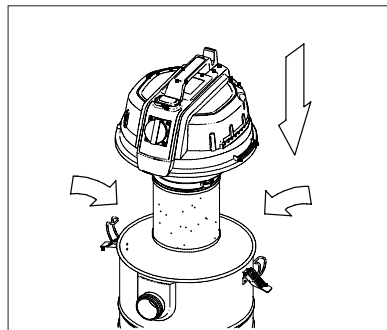
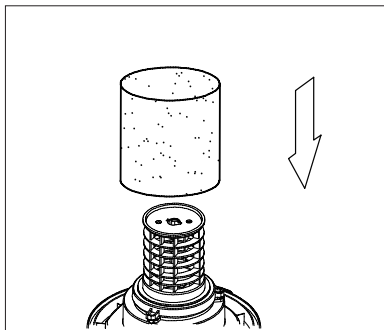
1. Ensure that the power cord is disconnected from the power outlet.
2. Unlock the latches



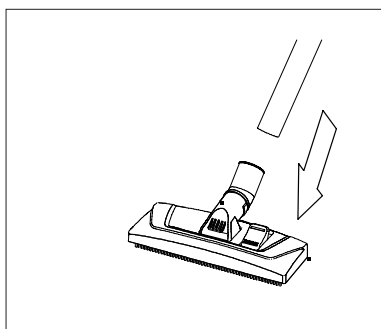
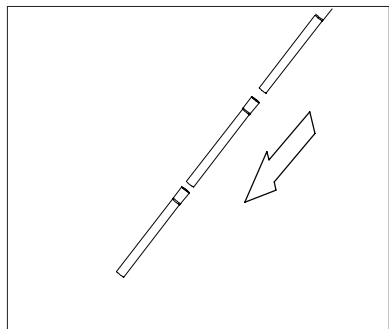
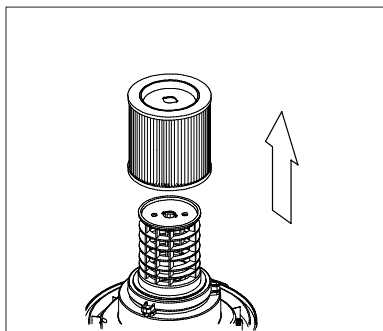
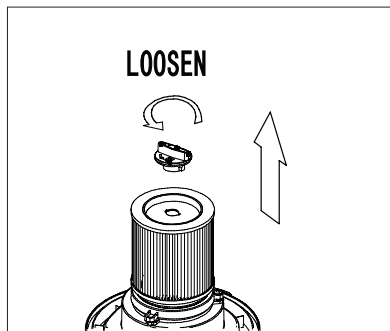
3. Take out of the machine head



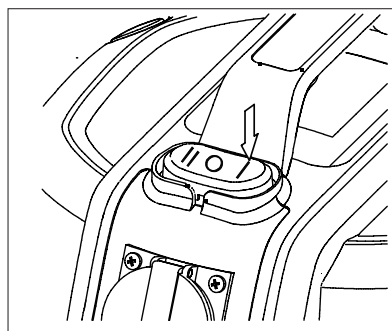
4. Fit the foam filter to the underside of the power head; take care not to damage the filter.



5. Put the machine head back to the vacuum body and lock the latch correctly.
6. The extension tubes need to be assembled



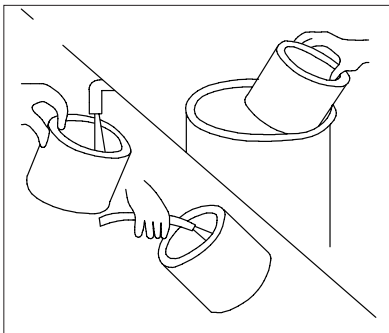
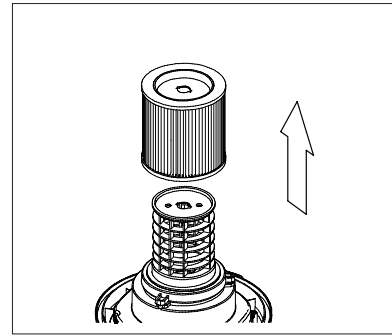
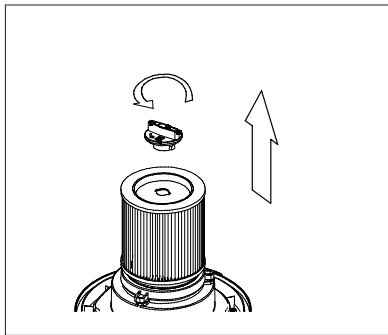
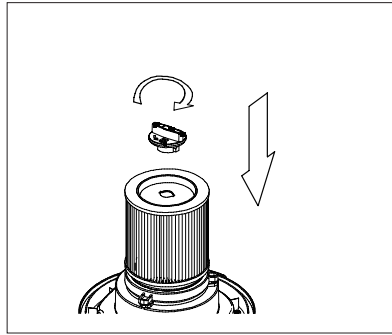
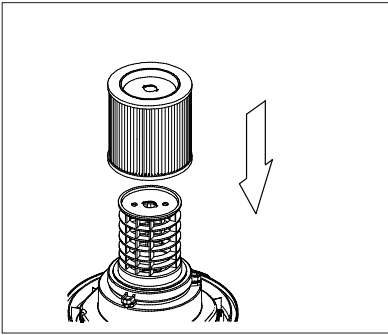
7. Switch on the vacuum and proceed to clean. (I=ON)
8. Switch off the vacuum before emptying. (O=OFF)
9. When emptying the container take care as this may be heavier than you think.
10. Clean filters and change if necessary.



Cartridge Filter – For dry applications

Use the cartridge filter in position over the lid cage for most general dry material pick up.

1. With the tank cover in an upside down position, slide the cartridge filter down over the lid cage, pushing until the filter seals against the cover.
2. Place filter retainer into the top of the cartridge filter, hold the tank cover with one hand, turn the handle on the filter locking nut clockwise to tighten, locking the filter into place.
3. To remove the filter for cleaning, again hold the tank cover and turn the filter locking nut counter-clockwise to loosen and remove, slide the cartridge filter off the lid cage.
4. To clean the cartridge filter shake or brush off excess dirt or rinse (from the inside of the filter) with water, dry completely (approximately 24 hours) and reinstall. NOTE: If the filter has been used for wet pick up, it must be cleaned and dried before using for dry pick up.





IMPORTANT

When vacuuming large volumes of liquid, do not immerse the nozzle completely in the liquid; leave a gap at the tip of the nozzle opening to allow for air inflow. The machine is fitted with a float valve that stops the suction when the container reaches its maximum capacity an increase in motor speed will be heard. When this happens, turn off the machine, disconnect from power supply and empty the liquid into a suitable receptacle or drain. To continue vacuuming, refit the power head to the container. After wet vacuuming, turn the machine off and remove plug from power supply. To prevent the machine becoming moldy, empty the container, clean and dry the inside and outside of the container and remove the foam filter and allow to air dry before storage.

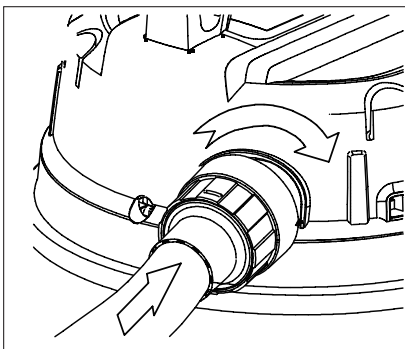
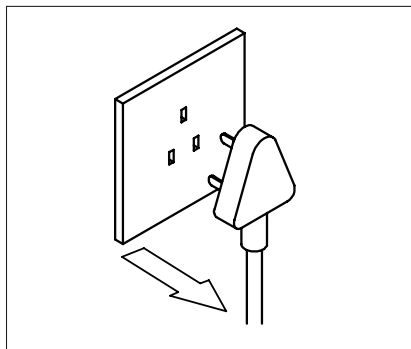
The float valve is a safety feature. Do not attempt to remove or modify this in any way. If the cleaner should overturn during wet operation, switch off immediately and return it to an upright position. Wait for the valve to reset before commencing cleaning.

BLOWING OPERATION

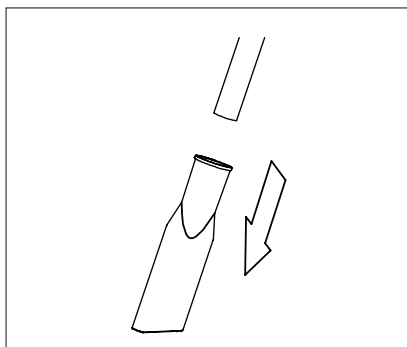
IMPORTANT!

Before commencing please ensure you have read and understood all the safety instructions.

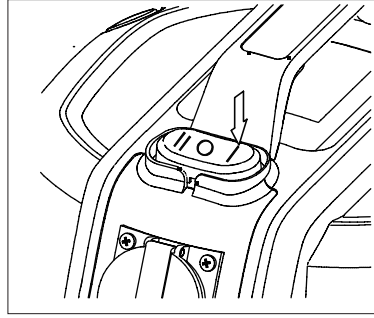
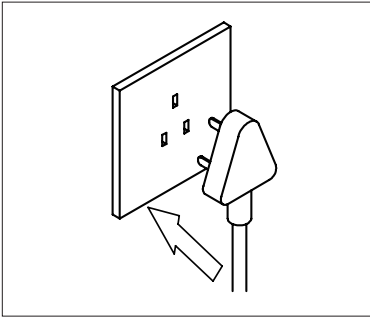
1. Ensure that the power cord is disconnected from the power outlet. No filter is required for blowing operations. Ensure that the container is completely empty before commencing.
2. Remove the hose from the vacuum port and insert firmly into the air outlet.



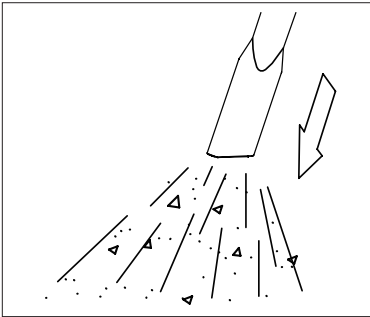
3. Select the most appropriate attachment for the task you wish to perform.



4. Connect the power cord to a suitable power outlet.
5. Before switching on, make sure you have a firm hold of the hose end.
6. Switch on the vacuum and proceed to clean. (I=ON)

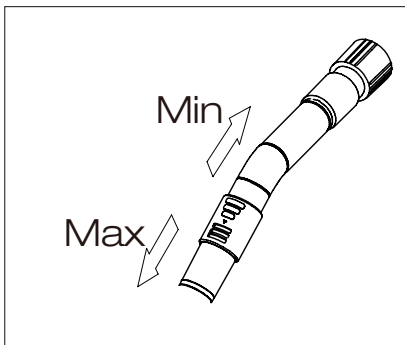


7. If blowing out dusty environments, always wear a suitable dust mask.
8. Protect eyes with suitable safety goggles and ensure no one else is nearby when operating.



VACUUM AND BLOW AIR FLOW ADJUSTMENT

The air flow can be controlled by setting the min / max adjustment switch to the desired speed.



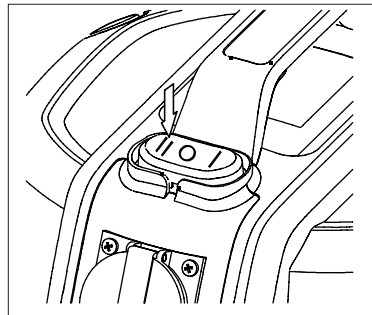
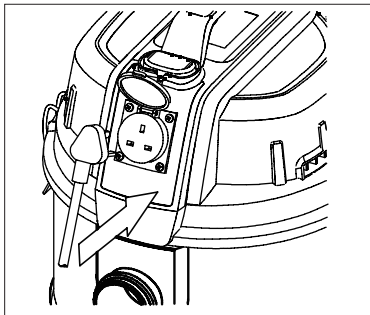
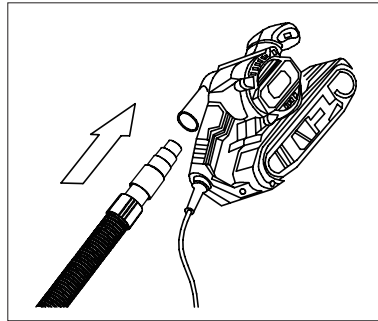
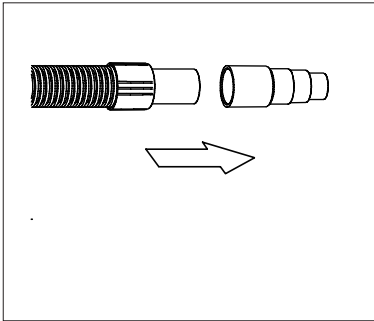
Power tool take off socket operation

Input voltage rating	220-240 V ~ 50 Hz
Max Wattage from Motor	1600W
Max Wattage from power take off socket	1500W

This vacuum cleaner has a power take off feature which permits the cleaner to be coupled with a power tool, providing dust extraction.

To operate the power take off feature, insert the plug of power tool into the socket located in the lid of the cleaner. Once the plug is inserted, switch the vacuum cleaner on by using the II position.

The vacuum cleaner will now be operated in approx 5 seconds after power tool switch on. Please note that when the power tool is switched off, the vacuum cleaner will continue to run for approx 5 seconds. This ensures any debris is cleared from the pipe.



WARNING! Do not plug any tool or appliance rated over the maximum wattage for the receptacle as noted in the chart above into the electrical socket on the vacuum cleaner.

To reduce the risk of injury, additional power tool must be turned (O) OFF before placing on/off switch (1) in the (II) AUTO position. (NEVER LEAVE THE UNIT RUNNING OR PLUGGED IN UNATTENDED).

CARE AND CLEANING



IMPORTANT:

Make sure that the tool has been thoroughly cleaned before storing it in a clean, dry and safe place, out of the reach of children.

Remove the plug from the power outlet before commencing any maintenance.

After wet vacuuming, always empty, rinse and dry the container, hose and attachments. If vacuuming sticky spills, clean the tank and attachments with warm soapy water.

The foam filter can be cleaned using soapy water. Rinse and air dry for at least 24 hours. Take care when cleaning as small wood, metal or glass particles could get trapped in this filter. Check airways on hose and attachments to ensure there are no blockages.

Never use chemical cleaners or an abrasive cloth to clean the vacuum, use a mild detergent and warm water. Dry with a soft dry cloth.

Do not oil the motor.

Store in a dry place.

Serviceable parts can be bought instore or online from Toolstation: www.toolstation.com

SKU:48051 Wessex 30L Wet & Dry Vacuum Cleaner Dust bag 3 PACK

SKU:88410 Wessex 30L Wet & Dry Vacuum Cleaner Cartridge filter (HEPA)

TROUBLE SHOOTING

Use this section to help you to try and solve any problems you may have:

PROBLEM	POSSIBLE CAUSES	REMEDIES
Product does not start	Not connected to power supply	Connect to power supply
	Power cord or plug is defective	Check by a specialist electrician
	Other electrical defect to the product	Check by a specialist electrician
Product does not reach full power	Extension cord not suitable for operation with this product	Use a proper extension cord
	Power source (e. g. generator) has too low voltage	Connect to another power source
	Air vents / air inlet / air outlet are blocked	Clean the air vents / air inlet / air outlet
	Activated safety valve / too much water in the tank	Drain excess of water from the tank
The vacuum will stop picking up dust/water.	Activated safety valve / too much water in the tank	Let the product cool down and then drain excess of water from the tank
Unsatisfactory result	Attachment not suitable for working surface	Use proper attachment
	Dust bag is full	Replace with a new dust bag
	Dust bag is damaged	Replace with a new dust bag
	Dust filter damaged	Replace with a new dust filter
	Attachment / extension tube(s) / hose not well connected.	Check and reconnect the involved part(s)
	Attachment / extension tube(s) / hose / handle / air inlet blocked	Remove the blockage(s)
	Attachment / extension tube(s) / hose / handle / air inlet defective	Replace involved part with a new one
Power tool take-off socket does not work.	Power tool wattage exceeds max power 1500W	Check the wattage is compatible with the power tool take of socket.
	Incorrect operating mode selected.	Check the wattage is compatible with the power tool take of socket.

PROBLEM	POSSIBLE CAUSES	REMEDIES
Dust not being retained in the vacuum (dry vacuuming configuration)	Worn dust bag / dust filter	Replace with a new suitable part
	Dust bag / dust filter not properly attached	Check and re-attach properly
	Defective attachment / extension tube / hose / handle / air inlet	Replace involved part with a new suitable one
Excessive vibration or noise	Attachment / extension tube(s) / hose not properly connected	Check and re-connect
	Loose screws/bolts/nuts on handle or caster	Tighten screws/bolts/ nuts

NOTE: IF YOU EXPERIENCE A PROBLEM WITH YOUR APPLIANCE, PLEASE DO NOT ATTEMPT TO OPEN OR REPAIR THE APPLIANCE YOURSELF. DOING SO MAY VOID THE WARRANTY AND COULD CAUSE DAMAGE OR PERSONAL INJURY. IF THE PROBLEM STILL PERSISTS, PLEASE CONTACT US BY REFERRING TO THE SERVICE & SUPPORT INFORMATION ON THE FOLLOWING PAGE.

DECLARATION OF CONFORMITY / PERFORMANCE



Product Code: 17353/ZD176PA-30L-1600W

Product Description: Wessex 30L Wet & Dry Vacuum Cleaner

1. Toolstation Limited, Express Park, Bristol Road, Bridgwater, Somerset TA6 4RN
This declaration of conformity is issued under the sole responsibility of Toolstation
2. Object of the declaration

The object of the declaration described above is in conformity with the relevant Community harmonization legislation:

- Electromagnetic Compatibility Regulations 2016
2014/30/EU
- Electrical Equipment (Safety) Regulations 2016
2014/35/EU
- The Restriction of the Use of Certain Hazardous Substances in Electrical and Electronic Equipment Regulations 2012
2011/65/EU&(EU)2015/863

3. References to the relevant standards used (or references to the specifications in relation to which conformity is declared:

BS EN 60335-1
BS EN 60335-2-2
BS EN 62233
BS EN 55014-1
BS EN 55014-2
BS EN 61000-3-3
BS EN 61000-3-2
BS EN 62321

4. Additional information:
Signed for and on behalf of Toolstation Limited

ENVIRONMENTAL INFORMATION



The symbol on the product or its packaging indicates that this product must not be disposed of with your other household waste. Instead, it is your responsibility to dispose of your waste equipment by handing it over to a designated collection point for the recycling of waste electrical and electronic equipment. The separate collection and recycling of your waste equipment at the time of disposal will help conserve natural resources and ensure that it is recycled in a manner that protects human health and the environment. For more information about where you can drop off your waste for recycling, please contact your local authority, or where you purchased your product.

GUARANTEE

Toolstation products deliver reliable service for normal, household use in domestic settings. All Toolstation products are individually tested before leaving the factory. If you are a consumer and you experience a problem with your Toolstation product, which is found to be defective due to faulty materials or workmanship within the Guarantee Period, this Toolstation Guarantee will cover repair or - at the discretion of Toolstation - replacement with a functionally equivalent Toolstation product. Your product is under guarantee for 2 year from the date of purchase or the date of delivery of the product, if later.

The guarantee is subject to the following provisions:

- The guarantee does not cover accidental damage, misuse, cabinet parts, knobs, or consumable items.
- The product must be correctly installed and operated in accordance with the instructions contained in this manual.
- It must be used solely for domestic purpose.
- The guarantee will be rendered invalid if the product is re-sold or has been damaged by inexpert repair.
- Specifications are subject to change without notice.
- The manufacturer disclaims any liability for the incidental or consequential damages.
- The guarantee is in addition to, and does not diminish your statutory or legal rights.

CUSTOMER SUPPORT

www.coreservice.co.uk

Call us +44 01904 947568

Email: support@coreservice.co.uk

Made in China