

Electric Table Top Patio Heater

Assembly Instructions - Please keep for future reference

952/4226



Dimensions

Width - 45 cm
Depth - 45 cm
Height - 93 cm

Important - Please read this instructions fully before starting assembly

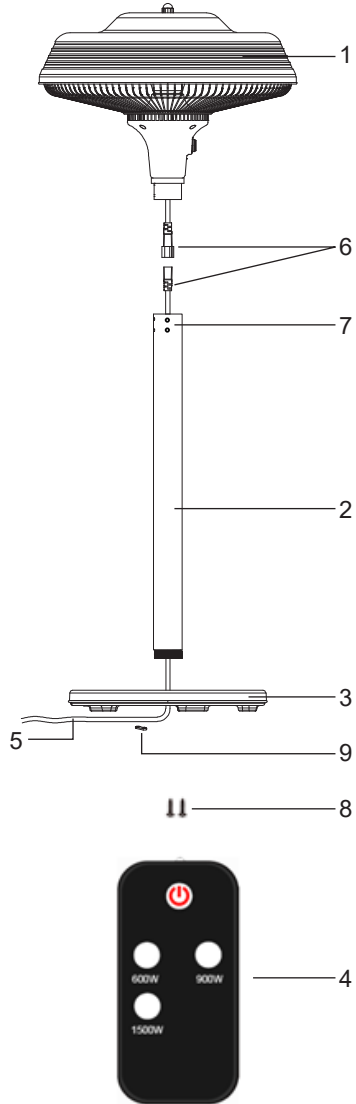
If you need help or have damaged or missing parts, call the Customer Helpline: 03456 400800.
Please visit the website www.argos.co.uk for more information.

Made in China for Habitat. Argos Limited 489-499
Avebury Boulevard, Milton Keynes, MK9 2NW.
Argos (N.I.) Ltd, Forestside Shopping Centre, Upper Galwally, Belfast,
United Kingdom, BT8 6FX. Argos Distributors (Ireland) Limited,
Unit 7, Ashbourne Retail Park, Ballybin Road, Ashbourne,
County Meath, Ireland

Parts Description

Please check you have all the panels listed below

- 1 Heating head Assembly
- 2 Post
- 3 Base
- 4 Remote control
- 5 Power cord
- 6 Cable connector
- 7 3.5x12 Phillips screw x 2
(pre-assembled on the tube)
- 8 6x14 Phillips screw x 2
- 9 Crimping plate



Warning Symbols

WARNING: In order to avoid overheating, do not cover the heater.



Do not cover

Warnings

- This electrical appliance complies with technical safety and electromagnetic compatibility standards.
- Never touch your heater when in operation (risk of burns).
- Never touch the heater with wet hands.
- Do not touch the heater while it is operating. Wait at least 15 minutes after it is switched off before touching.
- Never place anything on the heaters safety guard (e.g. Towel) as this may cause overheating or a fire.
- Never use your appliance to dry washing.
- Although the heating element has stopped glowing, it may still be hot and potentially dangerous. Check that the selection indicator (5) is in position off before taking any action.
- Switch off your appliance:
 - After use
 - In the event of malfunction
 - Before cleaning it.
- Never operate your appliance if it has fallen over.
- Never dismantle your appliance. An incorrectly repaired appliance maybe dangerous to the user. If you encounter any problems seek professional advice from a suitable qualified professional.

Warnings

- The warranty will be void in the event of damage arising from improper use.
- Do not use this heater in the immediate surrounding of a bath, a shower or a swimming pool.
- This movable appliance is designed for use in gardens, and can be used indoor and outdoor. The warranty will not apply to appliances used for professional usage. Although the heater may be used outdoors, the main plug must only be connected to the supply indoors.
- The heater is provided with an anti-tilt switch will switch off the heater if it is overturned, and will switch it on again automatically when it is restored to its upright position.
- This heater should be operated on a table or other suitable raised, flat and level surface.
- This electrical appliance complies with technical safety and electromagnetic compatibility standards.
- Do not cover heater.
- This heater is not equipped with a device to control the room temperature. Do not use this heater in small rooms when they are occupied by persons not capable of leaving the room on their own, unless constant supervision is provided.(IEC 60335-2-30)
- This heater must not be used on or near combustible materials, such as wooden decking or fencing.

WARNING! CONTAINS COIN OR BUTTON BATTERY.

Hazardous if swallowed, a coin or button battery can cause serious internal chemical burns if swallowed.

WARNING! Dispose of used batteries immediately. Keep new and used batteries away from children. If you think batteries might have been swallowed or placed inside any part of the body, seek immediate medical attention. ALWAYS KEEP BUTTON CELL BATTERIES OUT OF REACH OF CHILDREN

Before using

Before using the appliance at the first time, ensure that your mains voltage corresponds to voltage indicated on the appliance. **It is a class I appliance and must be earthed.**

Safety

CAUTION: Before fitting or removing the appliance, ensure that the heater's power line supplying the heater is disconnected. Check that the power line is connected to a 30A differential circuit breaker.

- This appliance is designed for use in gardens ,and any room in your house, including those where there is a risk of splashing. The installation and use of your appliance must comply with the applicable standards in your country.
- When it is switch on, an electrical heating appliance reaches very high temperature liable to cause burns. Make sure that all other users are aware of the risks.
- Children, the elderly and the infirm may not always be aware of the danger involved in using electrical appliances. Never allow this appliance to be used without supervision.
- The appliance must be positioned so that the plug is accessible.
- Do not use if the cord is damaged.
- The heater must not be located immediately below a socket-outlet
- Do not use this heater with a programmer, timer or any other device that switches the heater on automatically, since a fire risk exists if the heater is covered or positioned incorrectly.
- Do not place the appliance close to curtains and other combustible materials.

Battery safety

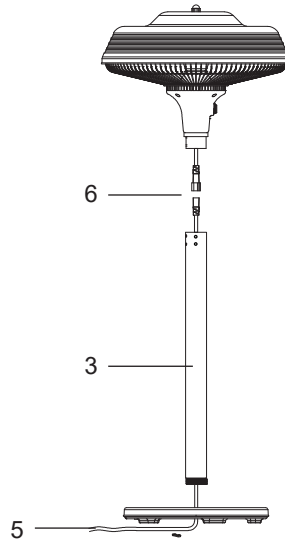
- Batteries should be installed by an adult.
- Never mix old and new batteries (replace all batteries at the same time).
- Never mix alkaline, standard (Carbon Zinc) or rechargeable batteries.
- Do not recharge non-rechargeable batteries.
- Rechargeable batteries must be removed before recharging, and charged under adult supervision.
- Remove batteries from product before extended storage or if exhausted.
- Do not short circuit the supply terminals.
- Batteries may explode or leak if misused.
- Do not dispose of batteries in a fire.

Assembly

WARNING! Before installing your appliance, you must disconnect the electrical supply at the circuit breaker.

Step 1

Thread the power cord (5) through the post (3) and connect the cable connectors (6).



Step 2

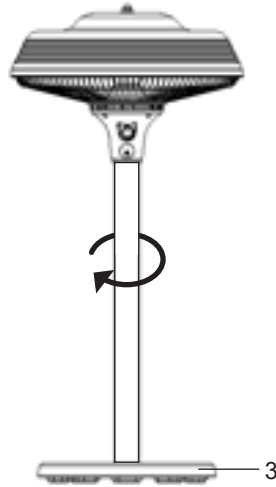
Remove the screws (7) pre-assembled on the post. Position the head assembly (1) onto the post and re-secure the screws in place.



Assembly

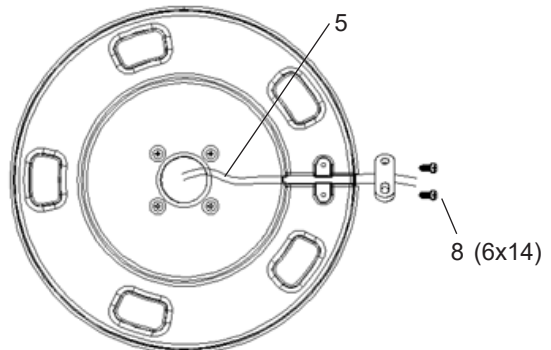
Step 3

Feed the power cord through the middle hole of the base(3), and then twist the assembly with the post clockwise into the base.



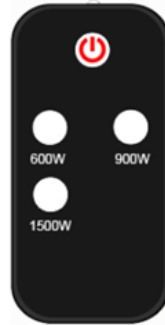
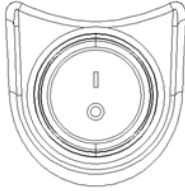
Step 4

Put the power cord(5) into the groove at the bottom of the base, and then secure the crimping plate (9) in place using 2 x screws (8) as illustrated.



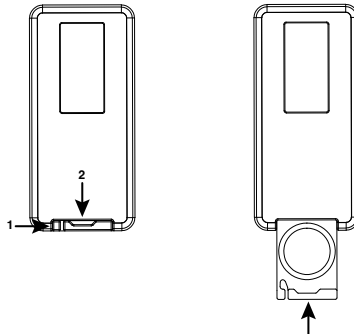
Operation

Turn on the product through the main switch to enter standby mode, touch the on/off button and then touch the display to control the gear.



Battery change instruction

- Only CR2025 button battery can be used.
- Open the battery holder as per below image.
- Change the button battery with another new CR2025 button battery. Please pay attention to make the positive electrode to be the upper side.
- Push the battery holder back into the remote.



Specification

- Power rate:1500w
- Cable length: 1.6m
- Standby Mode : Blinking red lamp
- Touch 1: 600W Green light (normal power)
- Touch 2: 900W Green light (intermediate power)
- Touch 3: 1500W Green light (full power)
- Touch 4: OFF



The product complies with the applicable UK directives and an evaluation method of conformity for these directives was done.



The product complies with the applicable European directives and an evaluation method of conformity for these directives was done.



WEEE symbol. Waste electrical products should not be disposed of with household waste. Please recycle where facilities exist. Check with your local authority or local store for recycling advice.



Read the instruction manual before operating this machine.



The product complies with the RoHS directives and an evaluation method of conformity for these directives was done.



The product complies with IP34 standard.

Maintenance

Your appliance does not require any particular maintenance. However, in the event of a malfunction, **please consult a suitably qualified electrician.**

If you need help or have damaged or missing parts, call the **Customer Helpline: 03456 400800**. Please visit the website www.argos.co.uk for more information.

Made in China for Habitat. Argos Limited 489-499
Avebury Boulevard, Milton Keynes, MK9 2NW.
Argos (N.I.) Ltd, Forestside Shopping Centre, Upper Galwally, Belfast,
United Kingdom, BT8 6FX. Argos Distributors (Ireland) Limited,
Unit 7, Ashbourne Retail Park, Ballybin Road, Ashbourne,
County Meath, Ireland