

POWERBASE

46cm 140cc Self Propelled Electric Start Petrol
Lawn Mower 577151

Instruction Manual

IMPORTANT!
Please read these
instructions fully before
starting assembly.



These instructions contain important information that will help you get the best from your product, ensuring it is assembled correctly and safely. If you need help or have damaged or missing parts, call the Customer Helpline on 01904 727 509.

Contents

| | |
|-------------------------------------|----|
| General safety warnings | 3 |
| Intended use | 8 |
| Warning symbols | 8 |
| In the box | 10 |
| Assembling the lawn mower | 12 |
| Preparing to operate the lawn mower | 15 |
| Operation | 18 |
| Maintenance and storage | 24 |
| Troubleshooting | 30 |
| Technical data | 31 |
| Disposal | 32 |
| Getting help | 32 |
| Warranty | 32 |

General Safety Warnings

Safety warnings



WARNING! Read all safety warnings and instructions.

Failure to follow the warnings and instructions may result in electric shock, fire and/or serious injury.



WARNING! Read all safety warnings and instructions designated by the  symbol.

Save all warnings and instructions for future reference.

- Always ensure anyone intending to operate this lawn mower is fully conversant with the contents of this instruction manual prior to assembling, maintaining or operating the lawn mower.
- Perform assembly operations as described in this manual. Failure to observe this warning may lead to serious injury, death, or damage to the lawn mower.
- Always take care when removing the packaging, to prevent damage to you or to the lawn mower.

IMPORTANT! Before assembling the lawn mower, check all the parts indicated in the manual are in the box. Inspect all the parts for signs of damage. Do not assemble the lawn mower if you observe any damaged components.

NOTE: This lawn mower complies with the Noise Emission Directive 2000/14/EC.

General safety

- Keep this operating and maintenance manual in a safe place for future reference.
- Read the instructions carefully. Be familiar with the controls and the proper use of the equipment.
- Never allow children or people unfamiliar with these instructions to use the lawn mower. Local regulations can restrict the age of the operator.
- Never mow while people, especially children or pets, are nearby. Keep in mind that the operator or user is responsible for accidents or hazards occurring to other people or their property.
- This lawn mower is not intended for use by people (including children) with reduced physical, sensory or mental capabilities, or lack of experience and knowledge, unless they have been given supervision or instruction concerning the use of the lawn mower by a person responsible for their safety.
- Never touch a rotating blade.

Personal safety

- **While mowing, always wear suitable footwear and long trousers.** Do not operate the equipment when barefoot or wearing open-toed sandals.

- **Thoroughly inspect the area where the equipment is to be used and remove all objects which can be thrown by the lawn mower.**
- **Petrol is highly flammable; store fuel in containers specifically designed for this purpose.**
 - a) Refuel outdoors only and do not smoke while refuelling.
 - b) Add fuel before starting the engine. Never remove the cap of the fuel tank or add petrol while the engine is running, or when the engine is hot.
 - c) If petrol is spilled, do not attempt to start the engine. Move the lawn mower away from the area of spillage, and avoid creating any source of ignition until petrol vapours have dissipated.
 - d) Replace all fuel tank and container caps securely.
- **Replace faulty silencers.**
- **Prior to use, visually inspect to see that the blade, blade bolts and cutter assembly are not worn or damaged.** Replace worn or damaged blades and bolts in sets to preserve balance.

Operation safety

- **Do not operate the engine in a confined space where dangerous carbon monoxide fumes can collect.**
- **Mow only in daylight or in good artificial light.**

- **Avoid operating the equipment on wet grass, where feasible.**
- **Always be sure of your footing on slopes.**
- **Walk, never run.**
- **Mow across the face of a slope, never up and down.**
- **Exercise extreme caution when changing direction on slopes.**
- **Do not mow steep slopes excessively.**
- **Use extreme caution when reversing or pulling the lawn mower towards you.**
- **Stop the blade if the lawn mower has to be tilted for transportation when crossing surfaces other than grass, and when transporting the lawn mower to and from the area to be mowed.**
- **Never operate the lawn mower with defective guards, or without safety devices in place, for example deflectors and/or grass catchers.**
- **Do not change the engine governor settings or over speed the engine.**
- **Start the engine carefully according to the instructions and with feet well away from the blade.**
- **Do not tilt the lawn mower when starting the engine.**
- **Do not start the engine without the grass collector in place.**
- **Do not put hands or feet near or under rotating parts.** Keep clear of the discharge opening at all times.

- **Never pick up or carry a lawn mower while the engine is running.**
- **Stop the engine and disconnect the spark plug cable, making sure that all moving parts have come to a complete stop:**
 - a) Before clearing blockages or unclogging the chute.
 - b) Before checking, cleaning or working on the lawn mower.
 - c) After striking a foreign object, inspect the lawn mower for damage and make repairs before restarting and operating the lawn mower.
 - d) If the lawn mower starts to vibrate abnormally, check immediately.
- **Stop the engine and disconnect the spark plug wire, and make sure that all moving parts have come to a complete stop before refuelling.**

Maintenance and storage

- Keep all nuts, bolts and screws tight, to ensure the equipment is in safe working condition.
- Never store the equipment with petrol in the tank inside a building where fumes can reach an open flame or spark.
- Allow the engine to cool before storing in any enclosure.
- To reduce the fire hazard, keep the engine, silencer, and petrol storage area free of grass, leaves, or excessive grease.

- Check the grass collector frequently for wear or deterioration.
- For safety, always replace worn or damaged parts.
- If the fuel tank has to be drained, this should be done outdoors.
- Only use the recommended blades and spare parts by the manufacturer. The use of non-genuine parts can damage the machine and injure the operators. Keep the lawn mower in good working condition.
- If the blade-stopping device doesn't work, please contact service centre for help.

Intended Use

This lawn mower is designed for domestic lawn mowing only. Use in any other way is considered contrary to the intended use. Compliance with the operation, service and repair, as specified in this manual, also constitutes essential elements of the intended use.

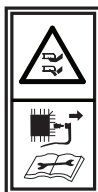
Warning Symbols



Please read all of the safety and operating instructions carefully before using this lawn mower. Read the instruction manual before operating.



Keep bystanders away - especially children and pets.



Beware of sharp blades - remove the spark plug lead before maintenance.



No naked flames.



Appropriate ear, eye, and head protection (PPE) must be worn.



Add engine oil.

Only refuel with unleaded petrol.



Hot surfaces will burn the hands!



Warning! The lawn mower's exhaust gas contains toxic substances. Do not run the engine in closed or poorly-ventilated areas.



The blade continues to rotate for a period after the machine is switched off. Do not touch the blade until all the machine components have stopped completely.



The product complies with the applicable European directives, and an evaluation method of conformity for these directives was done.



The product complies with the applicable UK directives and an evaluation method of conformity for these directives was done.



Sound level data (96 dB), in accordance with Directive 2000/14/EC.

In The Box

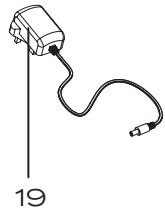
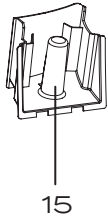
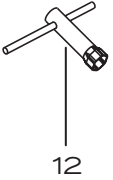
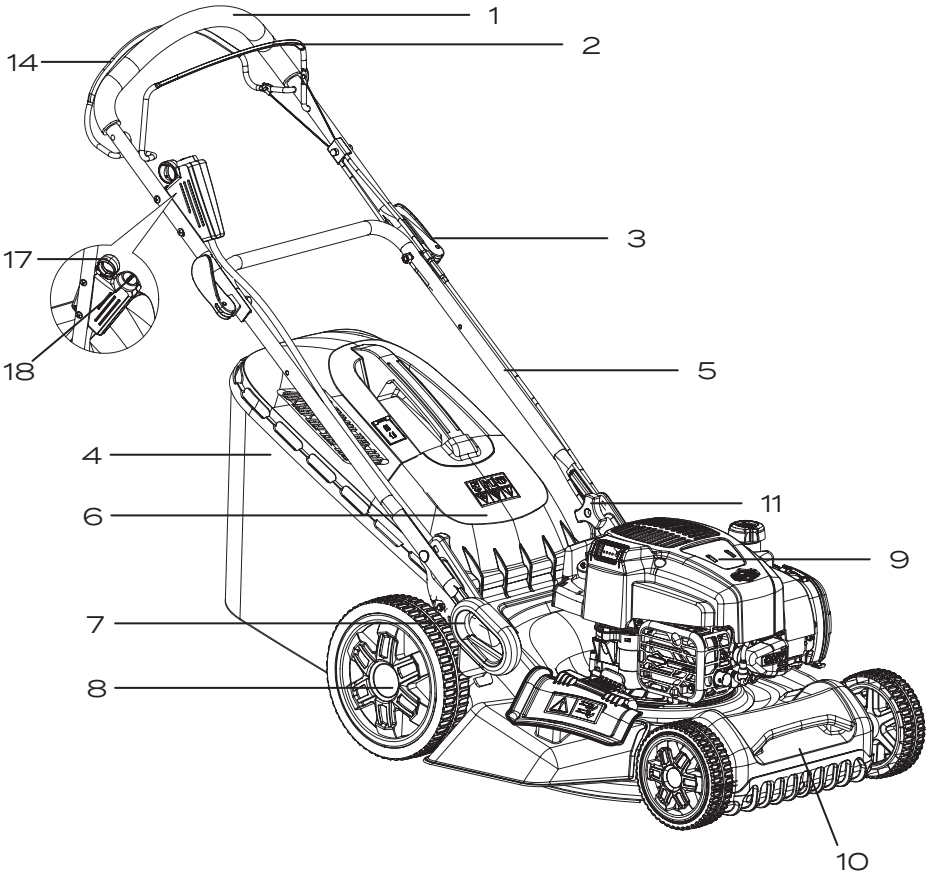
Parts

1. Upper handle with soft grip
2. Start/stop bar
3. Handle-fixing quick clamps x 2
4. Grass collection bag
5. Lower handle
6. Safety flap
7. Height adjustment handle
8. Wheel
9. Engine
10. Steel deck
11. Bolt and star knobs with nut M8 x 2
12. Spark plug wrench
13. Cable clip
14. Propulsion lever
15. Plastic mulching plug
16. Side discharge chute
17. Safety key
18. Start button
19. Charger

You will also need:

- SAE 30 or 4-stroke oil
- Unleaded fuel
- Funnel

If there are any parts missing, please call the customer helpline on 01904 727 509.



Assembling the Lawn Mower



WARNING!

Always take care when removing the packaging, to prevent damage to you or to the lawn mower.

This item requires a two-person lift to remove it from the packaging. Make sure that you have sufficient space to put the lawn mower down. Keep your feet apart so that you have a stable position; bend at the knees and keep your back straight.

Always recycle the packaging in accordance with local recycling regulations.

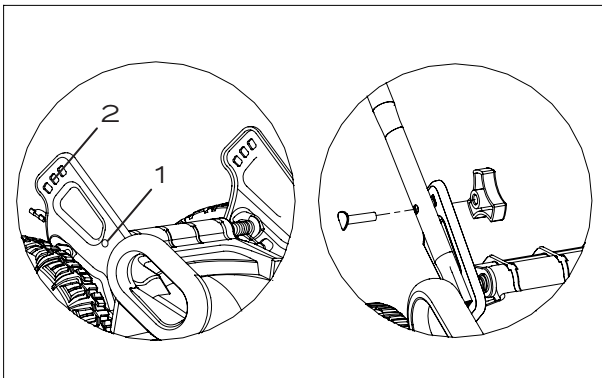
Assembling the lower handle

1. Remove the packaging from the handle. Set the height adjustment to the lowest position, put the pin of the lower handle into hole 1 in the support frame, and align the lower handle with hole 2 in the support frame. Make sure the holes in the lower handle are aligned with those in the support frame.

NOTE: There are 3 holes on the support frame, fit for different heights. Keep the bolts at the same levels on both sides.

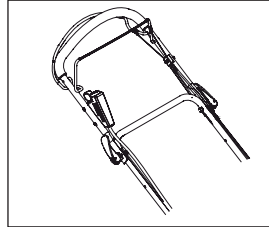
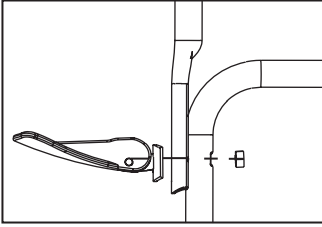
NOTE: Ensure the rope guide is on the right side, when you stand behind the mower.

2. Fix the lower handle onto the deck firmly, using the handle fixing bolts and spanner (supplied).



Assembling the upper handle

1. Lift the upper handle and lock in place using the handle tension knob and tensioning bolts. Ensure the lower and upper handles are firmly connected.



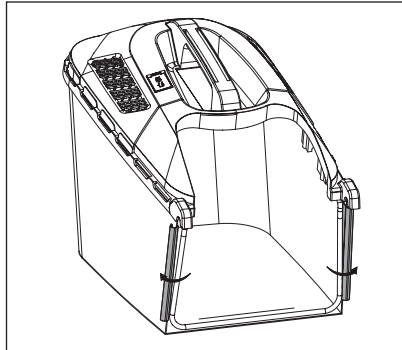
Assembling the grass bag



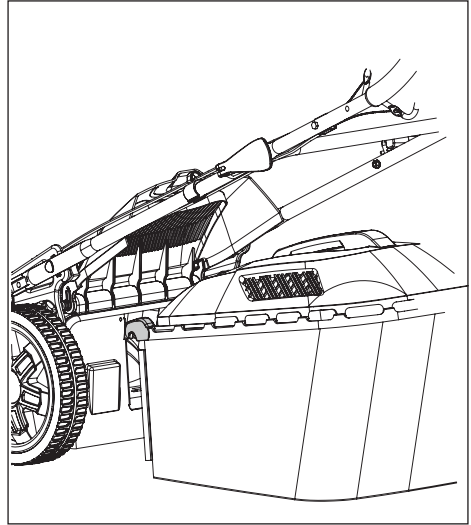
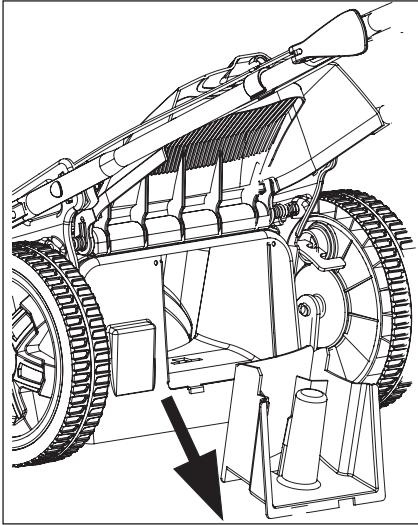
IMPORTANT!

Make sure the grass collection bag is in place before starting the engine.

1. Attach the grass collection bag (4) to the frame by fixing all the plastic hooks.



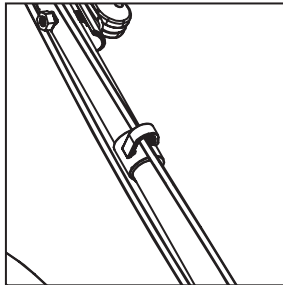
2. If using the collection function, raise the safety flap and take out the mulching plug, then hook the collection bag onto the mower. Ensure the side discharge chute is not fitted



3. Release the safety flap.

Attach cable clips

Ensure that the cable clip (13) supplied is used to fix the cable to the lower handle.



STOP!

Do not start the engine before putting 470ml of SAE 30 oil into the engine.

Failure to do so will result in irreparable damage to the engine and invalidate your warranty.

Preparing to Operate the Lawn Mower

Filling with engine oil



IMPORTANT!

The following procedures and adjustments must be performed before the engine is started. Do not attempt to make any of these adjustments while the engine is running.

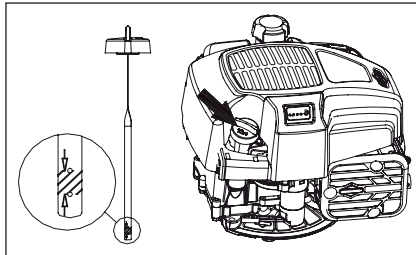
This engine is shipped without oil or petrol; any oil residue is from testing prior to shipping.

The engine must be filled with the correct grade of oil and petrol before starting the engine.

Running the engine with a low oil level will cause irreparable engine damage.

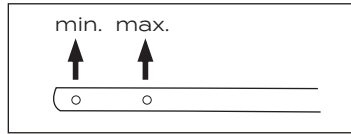
Always use high-quality detergent oil classified SAE 30 oil (or equivalent, e.g. 5W 30, often termed as 4-stroke lawn mower oil). Only use additives recommended by the engine manufacturer. To prolong the life of your engine, it is important that the oil is changed after the first 5 hours of use.

Using non-detergent oil can shorten the engine's service life, and using 2-stroke oil will damage the engine.



Check the engine oil level with the engine stopped and the mower on a level surface.

1. Remove the oil filler dipstick and wipe oil from it with a clean cloth.
2. Insert the dipstick into the oil filler neck and screw it in.
3. Then remove the dipstick and check the oil level. The oil level must be between the Min. and Max. marks on the dipstick. If near the lower level, fill to the upper level with the recommended oil (SAE 30 or equivalent). Do not overfill. Wipe away any spilt oil.



4. Before using for the first time, add 0.47 litres of oil (SAE 30).

Filling with engine fuel



WARNING!

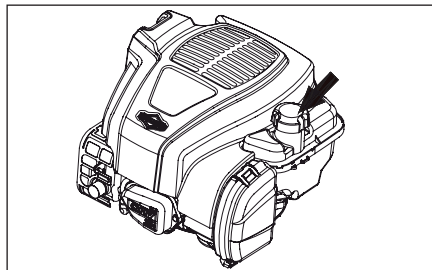
Refuel in a well-ventilated area with the engine stopped. Do not smoke or allow flames or sparks in the area where the engine is refuelled or where petrol is stored. Avoid repeated or prolonged contact with skin or inhalation of vapour.



CAUTION!

Petrol is highly flammable and extreme caution must be taken when handling or working with it. Keep out of the reach of children.

1. Clean the area around the petrol filler cap before removing the cap. Check the fuel level.
2. Refill the tank if the fuel level is low.
3. Always use clean, fresh unleaded petrol and purchase fuel in quantities that can be used within 30 days.



4. Never mix oil with petrol.
5. To allow for expansion, carefully refuel and avoid overfilling or spillage. There should be no fuel in the filler neck.
6. Clean up any overflow or splashes of petrol before starting the engine. Tighten the filler cap after filling, hand tighten only.

NOTE: The 46cm self propelled lawn mower has a maximum fuel capacity of 800ml.

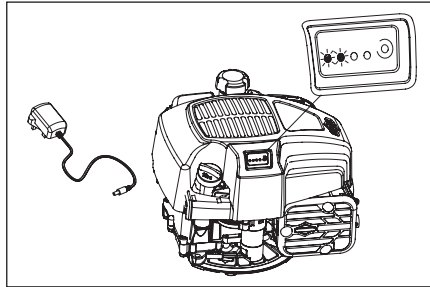
Charging the battery



WARNING!

Charge the battery pack only with a Briggs & Stratton battery charger.

1. Connect the charger plug to the mains power supply. Then insert the output plug of the charger into the socket of the engine, the indicator will flash during the normal charging process.



2. A completely discharged battery pack will fully charge in approximately 4 hours.
3. When the battery pack is fully charged, the indicators will remain on.
4. When not in use, disconnect the battery charger from the mains power supply.

Battery capacity indication

To check the available charge, press the battery capacity indication button. The display lights will indicate the approximate amount of capacity remaining in the battery pack.

Operation

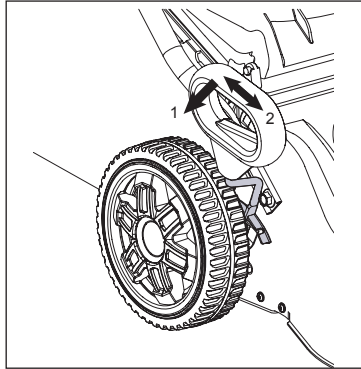
Setting the cutting height



WARNING!

The blade can cause serious injury. Before adjusting the mower height, stop the engine and wait for the mower blade to come to a complete stop.

1. Pull the lever towards the wheel, then move it forward or backward to adjust the cutting height.
2. Move it to any one of the 7 positions for the desired cutting height.
3. Return the lever into the securing plate.



| Position | Approx. cutting height (mm) |
|----------|-----------------------------|
| 1 | 25mm |
| 2 | 30mm |
| 3 | 37mm |
| 4 | 45mm |
| 5 | 55mm |
| 6 | 65mm |
| 7 | 75mm |

NOTE: Never use the lowest cutting height for the first cut of the season or in drought conditions. Only about one third of the grass height should be cut at this time.

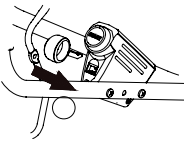
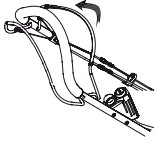
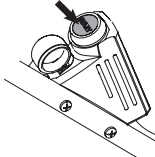
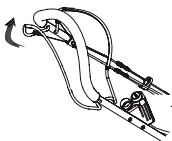
Starting the engine



WARNING!

Do not operate the machine in enclosed or poorly-ventilated areas, as the exhaust gas contains toxic substances. Keep hands, feet, hair and clothing away from all moving parts of the lawn mower. The exhaust and other parts of the lawn mower will become hot during use. Make sure that the blade is securely fastened before starting the engine.

Starting procedure: Quick guide

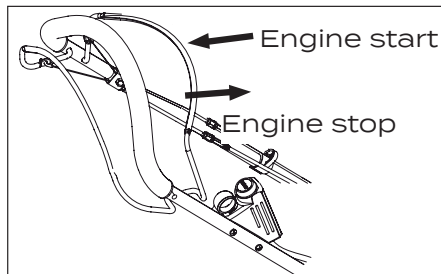
| Step 1 Insert the safety key | Step 2 Stop/Start lever closed | Step 3 Press and hold the start button | Step 4 Propulsion-lever closed |
|--|---|---|---|
|  |  |  |  |

To start the engine, make sure that the spark plug cap is located on the plug and the machine is filled with sufficient oil and petrol.

Step 1 - Insert the safety key

Step 2 - Start/stop bar activation

Pull the start/stop bar towards you.

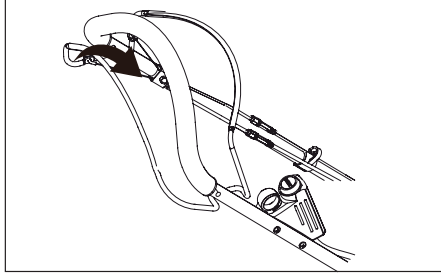


Step 3 - Starting the engine

Press and hold the start button. As soon as the motor starts running, release the starter button.

Step 4 - Self propelled mowing

Engage the propulsion lever, the mower will move forward automatically, release the propulsion lever, the mower will stop moving.



Step 5 - To stop, release stop/start bar

Failure to start

If the engine won't start after you have operated the start button several times, the engine may be flooded with excess fuel.

Use the following procedure to clean and start a flooded engine:

- A. Release the stop/start bar.
- B. Remove the spark plug, dry it, and then reinstall it.

Install the spark plug carefully by hand, to avoid cross-threading. After the plug is seated, tighten it 1/8 to 1/4 turns with the socket spanner to compress the washer.

- C. Pull the stop/start bar towards the upper handle.
- D. Operate the start button, as described above.

Mowing



WARNING!

Always observe the strictest safety procedures when using the lawn mower.

Start the engine and allow it to run.

Keep a firm grip on the upper handle and stop/start bar; clutch the propulsion lever, and walk along with it. Never run with the mower. Be very careful when mowing uneven or rough ground. Maintain a stable footing.

Do not use the mower on a steep slope of more than 15°. If mowing across slopes, never mow up and down. Be careful when changing the direction of the mower on a slope.

NOTE: The best result will be achieved if the grass is dry. Wet grass will tend to clog the blade and the grass collection system.

Grass grows at different rates at different times of the year. Never use the lowest cutting height for the first cut of the season or in drought conditions. Only about one third of the grass height should be cut.

If the lawn mower will not collect the cuttings efficiently, the grass discharge chute may be blocked, the grass bag may be full, or the underside of the mower deck may be clogged.

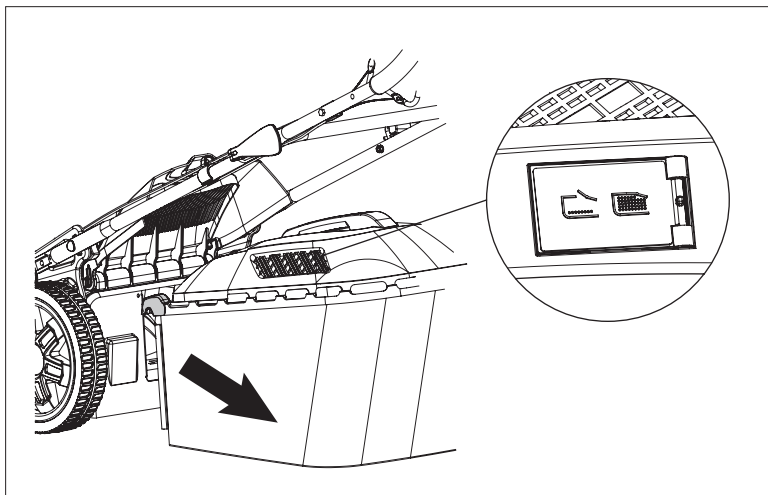
Emptying the grass bag

A level indicator on the top of the grass bag shows whether the bag is empty or full:

- The level indicator inflates if the bag is not full when the mower is moving.
- If the bag is full, the indicator collapses; once this happens, stop moving immediately and empty the bag.

Raise the discharge flap with one hand and remove the grass bag, using its handle with your other hand. To maintain safety, the discharge flap will close back to cover the mulching plug when you release the flap.

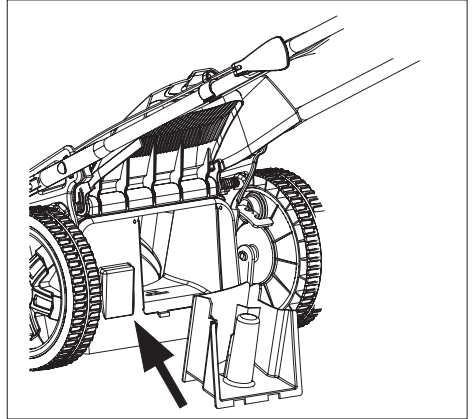
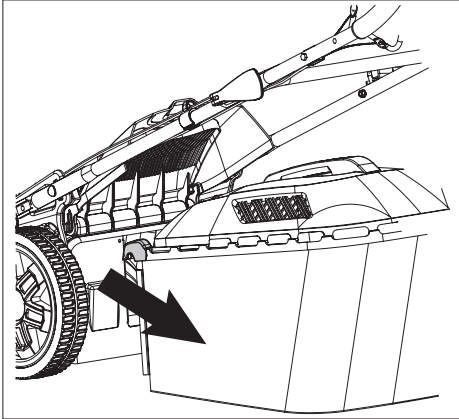
Empty the grass debris in the grass collection bag and refit the bag. If any grass residues are caught in the discharge chute, clean it using a nylon-bristled brush.



Mowing with mulching

When mulching, remove the collection grass bag, and put the plastic mulching plug into the rear discharge chute. Then release the flap, it will close back to cover the mulching plug. Make sure that the side discharge chute is not fixed on the deck.

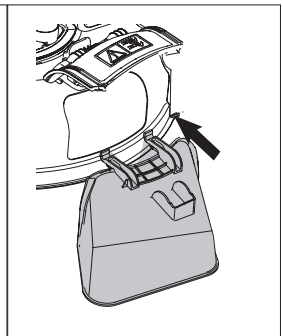
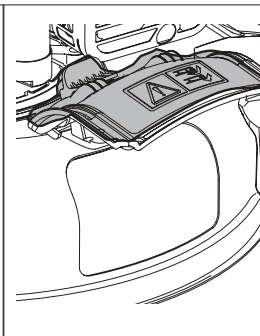
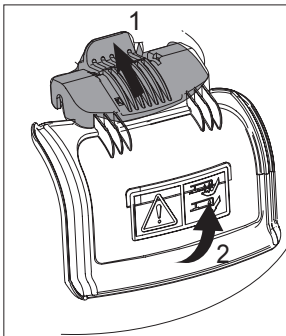
NOTE: To ensure that the cut grass can be mulched efficiently, do not cut high or wet grass.



Mowing with the side discharge

When using the side discharge to throw grass debris in the grass, as natural fertilizer, you first need to remove the grass collection bag and insert the mulching plug. Follow the steps below to assemble the side discharge chute.

1. Push the lock button with one hand.
2. Raise the side discharge cover with the other hand.
3. Hold the side discharge cover open, hook the side discharge chute onto the mower and release the discharge cover back.



Maintenance and Storage

Storing the lawn mower for short periods

After mowing, please follow the actions below prior to placing the lawn mower in storage:

- Allow the engine to cool down fully.
- Ensure the grass bag is empty.
- Clean all debris from under the mower deck.

Store the lawn mower on a flat and level surface, with all 4 wheels on the ground.

Store in a dry, safe place which is not accessible to children or people who are not familiar with operation.

Storing the lawn mower for extended periods



CAUTION!

Do not empty the petrol tank in enclosed areas, near fire or when smoking. Petrol fumes can cause explosions and fire. Always carry the product on its gripping surfaces.

If the lawn mower is to be placed into storage at the end of the season, or if the mower is not to be used for a longer period than 6 weeks, storage maintenance must be performed, as follows:

- Temperature fluctuations cause condensation, which contaminates fuel and causes starting problems. Simply emptying the machine of fuel will prevent this.
- Empty the petrol tank with a petrol suction pump, if available, or use the tipping method.
- Start the engine and let it run until any remaining petrol has been used up.
- Change the oil at the end of every season. To do so, remove the used engine oil from a warm engine and refill with fresh oil.
- Remove the spark plug from the cylinder head. Fill the cylinder with approx. 20ml of oil from an oil can. Slowly pull back the starter handle, which will bathe the cylinder wall with oil, and screw the spark plug back in.
- Clean the cooling fins of the cylinder and the housing.

- Be sure to clean the entire mower to protect the paint.
- Store the machine in a well-ventilated place.

NOTE: Alternatively, adding Briggs & Stratton FUEL FIT to the fuel will prevent contaminated fuel. Not all additives on the market do this. FUEL FIT can be ordered via

www.coreservice.co.uk

Preparation to re-use

Check the oil level before starting the engine to ensure there is sufficient oil, see page 15.

Check the spark plug is inserted correctly, see page 27.

Fill engine with fresh unleaded fuel, see page 16.

Follow starting procedure, see page 19.

Maintenance schedule



WARNING!

Before you tip the lawn mower onto its side, completely empty the fuel tank using a petrol suction pump. Never turn the mower upside down.

Before commencing any maintenance, always disconnect the spark plug.

Performing routine maintenance correctly on your lawn mower will ensure you get years of trouble-free use.

Please keep this manual safe for future reference.

It is recommended that the following maintenance schedule is adhered to. This will ensure the lawn mower operates correctly and is safe to use.

| | After every use | After 12 hours use | After 24 hours use | After 36 hours use |
|---------------|-----------------|--------------------|--------------------|--------------------|
| Cleaning | clean | clean | clean | clean |
| Air filter | | clean | clean | replace |
| Spark plug | | check | check | replace |
| Engine oil | check | check | check | check |
| Cutting blade | check | check | check | replace |

NOTE: The engine oil should be changed after the first 5 hours.

Cleaning

- To ensure long life and good performance of the mower, it's important to keep the machine clean and well lubricated. Make sure the chute is clean and under the deck is cleared from wet debris. (See also short term storage).
- Do not allow grass cuttings and other debris to become dry and hard on any of the mower surfaces, as this will directly affect the cutting and grass collection performance. Make sure that the underside of the lawn mower deck is clean and clear.
- Never clean the lawn mower with a water jet or high-pressure cleaner. The engine must remain dry. Do not use aggressive cleaning agents or solvents, such as cold degreasers or petroleum ether.

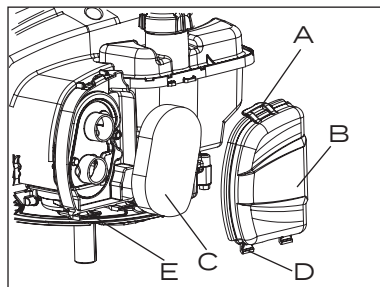
Cleaning or replacing the air filter



WARNING!

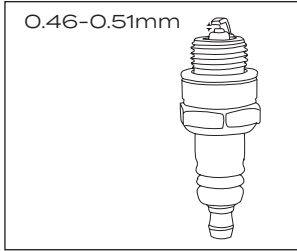
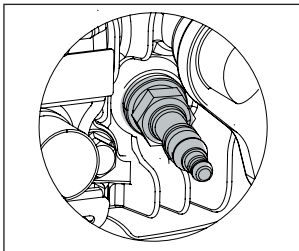
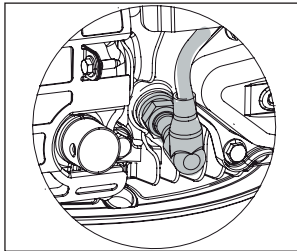
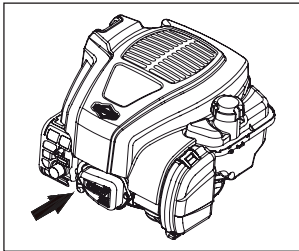
Never run the engine without the air filter element installed:

1. Loosen the fastener (A) that holds the cover (B).
2. Open the cover and remove the filter (C).
3. To loosen debris, gently tap the filter on a hard surface. If the filter is excessively dirty, replace with a new filter.
4. Install the air filter.
5. Install the cover tabs (D) into the slots (E).
6. Close the cover and secure with the fastener (A).



Cleaning or replacing the spark plug

1. Once the engine has cooled, pull off the spark plug boot with a twist. Remove the spark plug using the socket spanner supplied.
2. Clean the plug with a wire brush.
3. Using a feeler gauge, set the gap to 0.51mm.
4. Install the spark plug carefully by hand to avoid cross-threading.
5. After the spark plug is seated, tighten with the spanner to compress the washer.



Changing the oil

Tilt the lawn mower towards the oil filler, have a container ready to catch the oil, and remove the dipstick. Once the oil has been emptied, wipe clean any spillages.

Refill with 470ml SAE 30 oil or equivalent, i.e. SAE 5W/30, SAE 10W/30). When the dipstick is rested on the filler pipe, the oil level must be between the Min. and Max. marks on the dipstick. See 'Filling with engine oil'. Do not overfill.

Start the engine and allow it to run briefly.

Stop the engine, wait one minute and check the oil level. Top up if necessary.

Replacing the cutting blade



WARNING! WEAR GLOVES.

Before you remove the grass collection bag, stop the engine and wait until the blade stops completely.

You will need garden gloves (not provided) and a spanner wrench to remove the blade.

Always handle the blade with care - sharp edges could cause injury.

NEVER hold the blade directly by hand.

Renew your metal blade after 36 hours of mowing or after 2 years, whichever is sooner, regardless of condition.

Regularly check your blade. If the cut of your grass is poor, the blade might be blunt.

Damaged blades not only result in a bad cut, they cause excessive vibration and uneconomical running of the engine. If the blade has worn excessively and become pitted and blunt, it should be replaced or sharpened.

NOTE: The blade carrier is designed to break under heavy blade impact, to protect the machine. If this happens, also replace the blade carrier. This can be purchased from

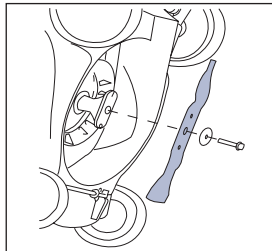
www.coreservice.co.uk

To replace the blade, tip the machine slightly towards the oil filler pipe and reach under the deck.

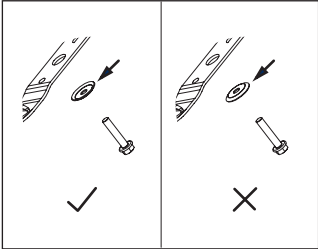
Hold the blade and unscrew the blade bolt counterclockwise using a spanner wrench. Remove the washer and the blade.

Inspect the blade adapter for any signs of damage.

Fit a new blade, locate the blade on the two studs on the blade flange and then replace the washer and bolts.



Check the washer is still slightly domed to keep the pressure on the bolt to stop it unwinding, keeping the blade firmly secure. Then replace the washer (right way around!) and bolts. Make sure the blade is correctly located, and then firmly tighten the bolt. Use a torque wrench to tighten the blade bolt by 40 N·m. Do not over tighten. The up turn of the blade must project into the motor compartment.



NOTE: If you are unsure about performing this operation, call our helpline or go to an authorised dealer to change the blade for you.

List of consumable parts:

| | | | |
|---------|----------------------|--------|-------------|
| QC12YC | Spark plug | 932217 | Blade bolt |
| 1813907 | Collection grass bag | 466018 | Fixing knob |
| 460206G | Blade | | |

Parts can be ordered via www.coreservice.co.uk.

Troubleshooting



WARNING!

Always switch off the engine and pull the ignition cable before starting any inspection or adjustment work.

If after making an adjustment or repair to the engine you let it run for a few minutes, remember that the exhaust and other parts will get hot.

The following table provides solutions to common problems encountered with the lawn mower:

| Fault | Possible cause | Solution |
|--|--|---|
| Loud while running, machine vibrates heavily | <ul style="list-style-type: none">• Screws are loose• Blade fasteners are loose• Blade is unbalanced | <ul style="list-style-type: none">• Check screws• Check blade fasteners• Replace blade |
| Engine does not start | <ul style="list-style-type: none">• Start/stop bar not pressed• Primer bulb is empty• Spark plug is defective• Fuel tank is empty• Engine may be flooded | <ul style="list-style-type: none">• Press start/stop bar• Press primer bulb 3-5 times• Replace spark plug• Refill with fuel• Remove plug and dry, see page 27 |
| Engine runs unsteadily | <ul style="list-style-type: none">• Air filter is soiled• Spark plug is soiled | <ul style="list-style-type: none">• Clean the air filter• Clean the spark plug |
| Uneven mowing results | <ul style="list-style-type: none">• Blade is blunt• Cutting height is too low | <ul style="list-style-type: none">• Sharpen the blade• Set correct height |
| Unsatisfactory grass collection | <ul style="list-style-type: none">• Cutting height is too low• Blade is worn• Grass collection bag is clogged | <ul style="list-style-type: none">• Set correct height• Replace the blade• Clear any clogged grass debris |

Technical Data

| Property | Value |
|--|--|
| Model No. | XSZ46G-SD-E |
| Engine type | Single cylinder 4-stroke |
| Engine displacement | 140cm ³ |
| Engine power | 2.1kW/2900/min |
| Max. engine speed | 2900/min |
| Cutting width | 46cm |
| Grass bag capacity | 55L |
| Ignition | T.C.I |
| Fuel tank capacity | 0.8L |
| Oil tank capacity | 0.47L |
| A-weighted emission sound pressure level | 82.3dB(A) K=3dB(A) |
| A-weighted sound power level | 94.4dB(A) K=3dB(A) |
| Guaranteed sound power level | 96dB(A) |
| Vibration | 6.11m/s ² K=1.5m/s ² |
| Spark type | QC12YC |
| Net weight | 30kg |

Disposal

The lawn mower and its accessories are made of various recyclable materials. Dispose of the lawn mower in accordance with your local recycling regulations.

Getting Help

Our dedicated UK-based customer helpline is open 7 days a week to assist you with assembly, parts queries and technical support. We are open during office hours but you can always send an email via **support@coreservice.co.uk**.

Helpline 01904 727509, Mon-Fri: 9am - 5pm, Sat-Sun: 11am - 4pm. Our experts are here to get you back enjoying your garden in no time.

For useful assembly, starting and maintenance videos, and for ordering spares, please visit **www.coreservice.co.uk**.

Using our service does not affect your statutory rights.

Warranty

This product is covered by a 2 year warranty.

The warranty covers any manufacturing defect in materials, workmanship and finish.

Any claim under this warranty must be made by going to your nearest Homebase store, taking your proof of purchase with you, and claims must be made within 2 years of the date of purchase.

We will offer you a free repair of the item where this is possible, or a replacement or a refund. Your statutory rights remain unaffected, in particular any rights you may have under the Consumer Rights Act 2015.

This warranty is given by HHGL Limited, MK9 1BA; HHGL (ROI) Limited, DO2 X576.

Please note: This warranty does not apply to products misused or neglected and only covers domestic use. It does not apply to commercial use of the product.