



# YARD FORCE®

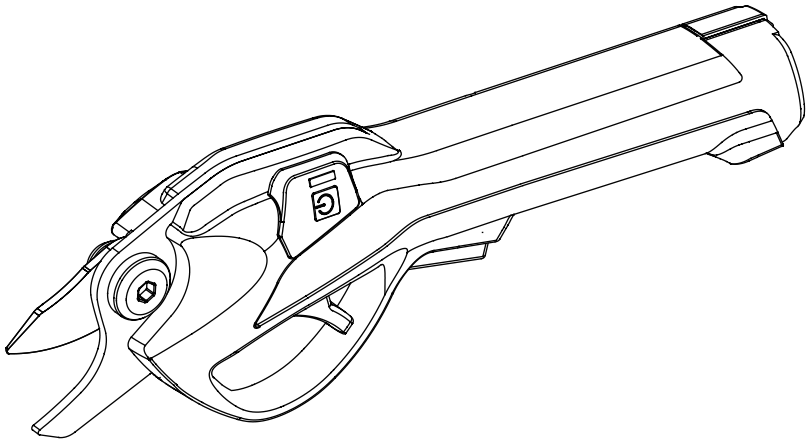
FOR LIFE ON THE GO

LS V14

GB

## CORDLESS PRUNER

Original Instructions



**READ & UNDERSTAND  
INSTRUCTION MANUAL**

Save all warnings and instructions for future reference.

# YARD FORCE

## LS V14 Original Instruction

### CONTENT

Intended use	04
General safety warnings	04
Product safety warnings	09
Symbols	11
Technical data	14
Description of product	15
Installation	16
Operation	17
Maintenance and storage	18
Troubleshooting	19
Declaration of conformity	20



## INTENDED USE

This pruner is designed for pruning branches and plants with a thickness up to 14 mm. It is designed for domestic use and is not designed for commercial, trade or industrial use. For safety reasons it is essential to read this entire instruction manual before initial operation and to observe all the instructions inside. This product is intended for private domestic use only, not for commercial trade use. It must not be used for any purposes other than those described.

## GENERAL SAFETY WARNINGS

**WARNING:** Read all safety directions and instructions. Omissions in the compliance with safety directions and instructions can cause electrical shock, fire and/or severe injuries.

Retain all safety directions and instructions for future use. The term “Power Tools” used in the safety instructions refers to mains-operated power tools (with power cord) and to battery operated power tools (without power cord).

### Work area safety

1. Keep work area clean and well lit. Cluttered or dark areas increase the chances of accidents.
2. Do not operate power tools in explosive atmospheres, in the presence of flammable liquids, gases or dust. Power tools create sparks which may ignite the dust or fumes.
3. Keep children and bystanders away while operating a power tool. Distractions can cause momentary loss of control.

## GENERAL SAFETY WARNINGS

### Electrical safety

1. Power tool plugs must match the outlet. Never modify the plug in any way. Do not use any adapter plugs with earthed (grounded) power tools. Unmodified plugs and matching outlets will reduce risk of electric shock.
2. Avoid body contact with earthed or grounded surfaces, such as pipes, radiators, ranges and refrigerators. There is an increased risk of electric shock if your body is earthed or grounded.
3. Do not expose power tools to rain or wet conditions. Water entering a power tool will increase the risk of electric shock.
4. Do not abuse the cord. Never use the cord for carrying, pulling or unplugging the power tool. Keep cord away from heat, oil, sharp edges or moving parts. Damaged or entangled cords increase the risk of electric shock.
5. When operating a power tool outdoors, use an extension cord suitable for outdoor use. Use of a cord suitable for outdoor use reduces the risk of electric shock.
6. If operating a power tool in a damp location is unavoidable, use a residual current device (RCD) protected supply. Use of an RCD reduces the risk of electric shock.

## GENERAL SAFETY WARNINGS

### Personal safety

1. Stay alert, watch what you are doing and use common sense when operating a power tool. Do not use a power tool while you are tired or under the influence of drugs, alcohol or medication. A moment of inattention while operating power tools may result in serious personal injury.
2. Use personal protective equipment. Always wear eye protection. Protective equipment such as dust masks, nonskid safety shoes, hard hats, and hearing protection can reduce personal injury.
3. Prevent unintentional starting. Ensure the switch is in the off position before connecting to power source and/or battery pack, picking up or carrying the tool. Carrying power tools with your finger on the switch or energizing power tools that have the switch on invites accidents.
4. Remove any adjusting key or wrench before turning the power tool on. A wrench or a key left attached to a rotating part of the power tool may result in personal injury.
5. Do not overreach. Keep proper footing and balance at all times. This enables better control of the power tool in unexpected situations.
6. Dress properly. Do not wear loose clothing or jewellery. Keep your hair, clothing and gloves away from moving parts. Loose clothes, jewellery or long hair can be caught in moving parts.

## GENERAL SAFETY WARNINGS

7. If devices are provided for the connection of dust extraction and collection facilities, ensure these are connected and properly used. The use of dust collection can reduce dust-related hazards.

### Power tool use and care

1. Do not use excessive force while using the power tool. Use the correct power tool for your application. The correct power tool will do the job better and more safely at the rate for which it was designed.
2. Do not use the power tool if the switch does not turn it on and off. Any power tool that cannot be controlled with the switch is dangerous and must be repaired.
3. Disconnect the plug from the power source and/or the battery pack from the power tool before making any adjustments, changing accessories, or storing. Such preventive safety measures reduce the risk of starting the power tool accidentally.
4. Store idle power tools out of the reach of children and do not allow persons unfamiliar with the power tool or these instructions to operate. Power tools are dangerous in the hands of untrained users.
5. Maintain power tools. Check for misalignment or binding of moving parts, breakage of parts and any other condition that may affect its operation. If damaged, have the power tool repaired before use. Many accidents are caused due to poor maintenance.

## GENERAL SAFETY WARNINGS

6. Keep cutting tools sharp and clean. Properly maintained cutting tools with sharp cutting edges are less likely to bind and are easier to control.
7. Use the power tool, accessories and tool bits etc. in accordance with these instructions, taking into account the working conditions and the work to be performed. Use of the power tool for operations different from those intended could result in a hazardous situation.

### Battery tool use and care

1. Recharge only with the charger specified by the manufacturer. A charger that is suitable for one type of battery pack may create a risk of fire when used with another battery pack.
2. Use power tools only with specifically designated battery packs. Use of any other battery packs may create a risk of injury and fire.
3. When battery pack is not in use, keep it away from other metal objects, like paper clips, coins, keys, nails, screws or other small metal objects, that can make a connection from one terminal to another. Shorting the battery terminals together may cause burns or a fire.
4. Under intensive use, liquid may be ejected from the battery; avoid contact. If contact accidentally occurs, flush with water. If liquid contacts eyes, additionally seek medical help. Liquid ejected from the battery may cause irritation or burns.

## PRODUCT SAFETY WARNINGS

### Service

1. Have your power tool serviced by a qualified repair person using only identical replacement parts. This will ensure that the safety of the power tool is maintained.

### Pruner safety warnings

1. Keep all parts of the body away from the cutter blade. Do not remove cut material or hold material to be cut when blades are moving. Make sure the switch is off when clearing jammed material.
2. Hold the pruner by insulated gripping surface only, because the cutter blade may contact hidden wiring. Cutter blades contacting a "live" wire may make exposed metal parts of the pruner "live" and could give the operator an electric shock.
3. Check and make sure no wire fences or foreign objects that the pruner may contact during operation.
4. Never operate the pruner with damaged blades.

## PRODUCT SAFETY WARNINGS

### Residual risks

Additional residual risks may arise when using the tool which may not be included in the enclosed safety warnings. These risks can arise from misuse, prolonged use etc.

Even with the application of the relevant safety regulations and the implementation of safety devices, certain residual risks cannot be avoided. These included:

1. Injuries caused by touching any rotating/moving parts.
2. Injuries caused when changing any parts, blades or accessories.
3. Injuries caused by prolonged use of a tool. When using any tool for prolonged periods ensure you take regular breaks.
4. Impairment of hearing.
5. Health hazards caused by breathing dust developed when using your tool (e.g. working with wood, especially oak, beech and MDF).

## SYMBOLS

### Safety symbols

The purpose of safety symbols is to attract your attention to possible dangers. The safety symbols and the explanations with them require your careful attention and full understanding. The symbol warnings do not, by themselves, eliminate any danger. The instructions and warnings they give are no substitutes for proper accident prevention measures.

**WARNING:** Be sure to read and understand all safety instructions in this operator's manual, including all safety alert symbols such as "**DANGER**," "**WARNING**," and "**CAUTION**" before using this tool. Failure to follow all instructions listed below may result in electric shock, fire and/or serious personal injury.

**SAFETY ALERT SYMBOL:** Indicates **DANGER**, **WARNING**, or **CAUTION**. May be used in conjunction with other symbols or pictographs.

### Symbol meaning

This page depicts and describes safety symbols that may appear on this product. Read, understand and follow all instructions on the machine before attempting to assemble and operate.

## SYMBOLS



Read the user manual before using the machine.



Warning! Danger!



WEEE symbol. Electrical products should not be disposed of with household waste. Please recycle where facilities exist. Check with your Local Authority or local store for recycling advice.



Batteries contain Li-ion waste. Do not dispose of batteries as unsorted municipal waste with household waste. Check with your Local Authority or local store for recycling advice.



Do not expose the product to rain or wet conditions.



Keep hands away from blades.



A product placed on the United Kingdom market meets the UKCA Marking requirements



The product complies with the applicable European directives and an evaluation method of conformity for these directives was done.

## SYMBOLS

### Symbols on the battery pack



Do not dispose of a battery pack in water!



Do not set on fire to dispose!



Do not expose the battery pack to sunlight or increased temperatures!



Do not dispose of batteries. Return exhausted batteries to your local collection or recycling point.



Batteries contain Li-ion waste. Do not dispose of batteries as unsorted municipal waste with household waste. Check with your Local Authority or local store for recycling advice.

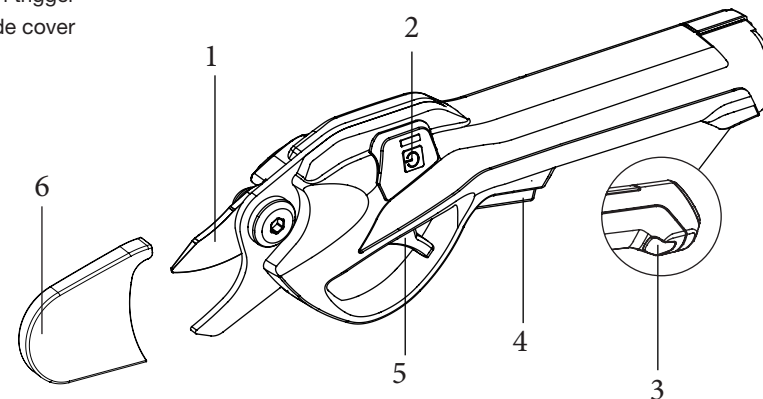
## TECHNICAL DATA

Type	LS V14
Degree of protection	IP X1
MAX Cutting diameter	14 mm
Net weight	0.65 kg
Battery pack type	AL V40
Battery capacity	4V= 4A, 14.4Wh
Input	max. 5V= 1A
Output (USB type A)	5V= 1A
Measured sound power level(L <sub>WA</sub> )	78.10 dB(A)
Vibration	0.592 m/s <sup>2</sup>

## DESCRIPTION OF PRODUCT

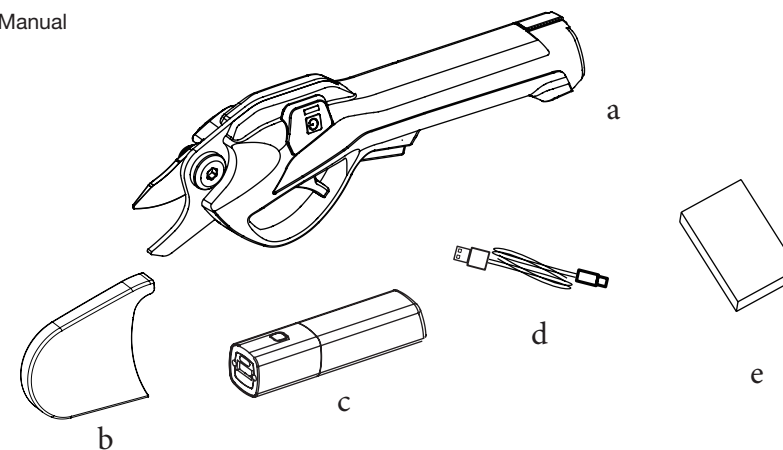
### Parts description

1. Blade
2. Electric safety button - ON/OFF
3. Battery pack release lever
4. Safety lever
5. Main trigger
6. Blade cover



### Checking the box contents

- a. Cordless pruner
- b. Blade cover
- c. Battery pack
- d. Charging wire
- e. Manual





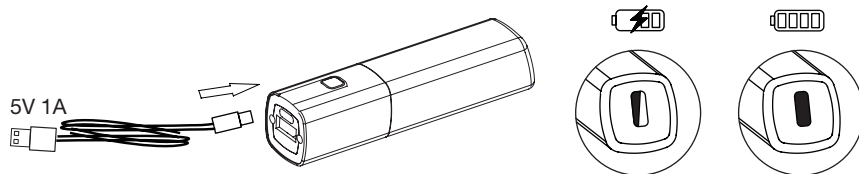
## OPERATION

### Charging the battery pack

**WARNING!** Do not use other charging wires which are not recommended by the manufacturer.

**NOTE:** The battery is supplied partially charged. To ensure full capacity of the battery, fully charge the battery before using it on the product.

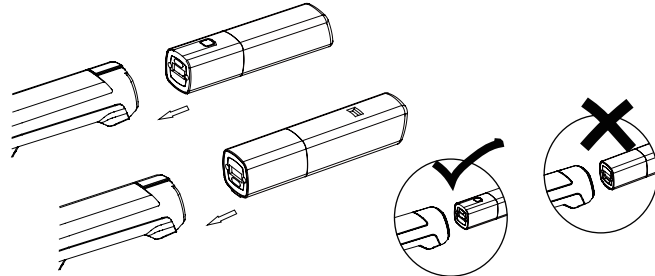
1. Connect the battery with the charging wire (Type C adaptor).
2. Select an USB type A power source that match to 5V 1A or less.
3. The green indicator will flash during normal use.
4. The Indicator will show solid green light when battery pack has been fully charged.



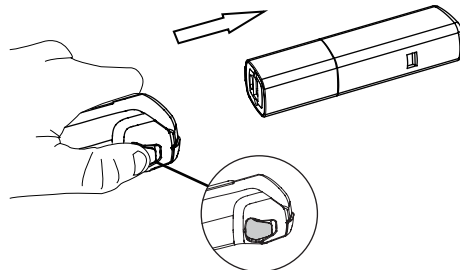
### Insert the battery

- Insert the battery in to the device; make sure the battery pack is in the right orientation.

**IMPORTANT:** Make sure that the battery pack is inserted in the right orientation, torch light button on up side.



- If you want to uninstall the battery pack, press the battery pack release lever and then remove the battery pack.



## OPERATION

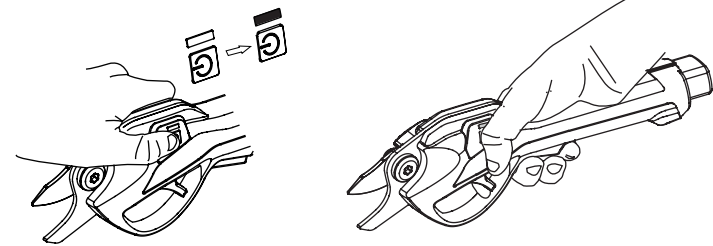


**WARNING:** Always wear protective gloves when using the product

**WARNING:** Whilst cutting the branch make sure your second hand is kept well away from the pruner blades

### To switch ON:

1. Press the electric button and you will see the green light is ON.
2. Hold the pruner firmly, depress and hold the safety lever with middle fingure and ring fingure, then active the main trigger with index finger.

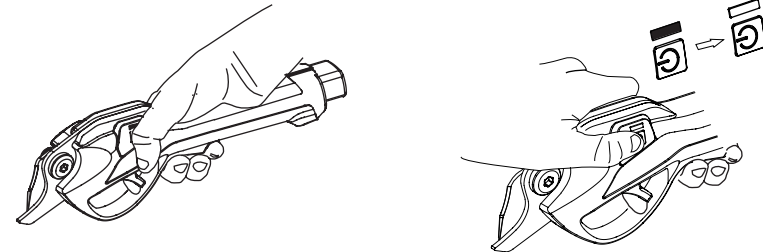


### To switch OFF:

1. Release the main switch.
2. Press the electric button and you will see the green light is OFF.

**NOTE:** For safety, this pruner could switch off by the blade closed.

- Depress and hold the safety lever with middle fingure and ring fingure, then active the main trigger with index finger. Hold in the position until the blade is totally closed.
- Press the electric button and you will see the green light is OFF.



### Cutting Branch

**NOTICE!** Risk of damage to the unit!

Be especially careful when working near fences! If material such as fence wire should get caught up in the cutting unit then switch off the device immediately.

Risk of environmental damage! Before cutting a branch, check no birds are nesting.

**NOTE:** Do not use the device to cut the branch with diameter over 14mm.

**WARNING:** Whilst cutting the branch make sure your second hand is kept well away from the Pruner blades

## MAINTENANCE AND STORAGE

**WARNING:** Always remove the battery pack before carrying out any cleaning, maintenance and storage.

**WARNING:** Always wear protective gloves before doing any cleaning and maintenance.

### Maintenance

1. Always switch the product off, disconnect the battery pack and let the product cool down before performing inspection, maintenance and cleaning work.
2. Keep the product clean. Remove debris from it after each use and before storage, using a soft damp cloth.
3. Regular and proper cleaning will help ensure safe use and prolong the life of the product.
4. Inspect the product before each use for worn or damaged parts. Do not operate if you find broken or worn parts.

**WARNING!** Only perform repairs and maintenance work according to these instructions. All further works must be performed by a qualified specialist.

### Cleaning

**WARNING:** Remove the battery pack before making any cleaning or repairs.

Before cleaning, inspecting or repairing your unit, make sure that the motor has stopped and is cool. Disconnect the battery pack to prevent accidental starting.

**NOTE:** To ensure the best performance of your product, it is important to keep it clean.

Always clean your cordless pruner immediately after use.

Do not allow debris to become dry and hard on any of the product surfaces. This will directly affect the cutting performance. Never clean the product with a water jet or high pressure cleaner. The motor must remain dry. Do not use aggressive cleaning agents such as cold cleaner or petroleum ether.

### Transportation

1. Switch the product off and disconnect the battery pack from the machine before transporting it anywhere.
2. Attach transportation guards, if applicable.
3. Always transport the product by its handle. When lifting the product use the transportation handle as an aid.
4. Protect the product from any heavy impact or strong vibrations which may occur during transportation in vehicles.
5. Secure the product to prevent it from slipping or falling over.

### Storage

1. Clean the product as described above and disconnect the battery pack.
2. Store the product and its accessories in a dry, frost-free area.
3. Always store the product in a place that is inaccessible to children. The ideal storage temperature is between 10°C and 30°C.
4. We recommend using the original packaging for storage or covering the product with a suitable cloth or enclosure to protect it against dust.

## TROUBLESHOOTING

Fault	Possible cause	Troubleshooting
Device fails to start	Battery pack discharged?	Charge the battery
	Battery pack defective?	Contact service center
	Is the device defective?	Contact service center
Bad cutting performance	The blade is worn	Resharpen the blades
	Branch diameter over 14 mm	Try to cut small branch
Device fails to start	Battery pack not fully inserted	Reinsert battery pack fully (sound "click")

## DECLARATION OF CONFORMITY

To the provisions of Council Directives

We  
**SUMEC UK Co.,Ltd.**  
Unit A&B, Escrick Business Park  
Escrick, York YO 19 6FD

**Declare that the product:**  
Machine Description: Cordless Pruner  
Machine Type: LS V14  
Function: Cutting branch

**Complies with the essential health and safety requirements of the following directives:**

Supply of Machinery (Safety) Regulations 2008  
Electromagnetic Compatibility Regulations 2016  
Noise Emission in the Environment by Equipment for use Outdoors Regulations 2001  
The Restriction of the Use of Certain Hazardous Substances in Electrical and Electronic Equipment Regulations 2012

**Standards and technical specification referred to :**

EN 55014-1:2017+A11:2020  
EN 55014-2:2015  
EN 60335-1  
EN 50636-2-94

Authorized Signatory  
Date: 18.01.2022

Signature: M. Hall

Place: York  
Name: Mariana Hall  
General Manager

SUMEC UK  
Unit A&B Escrick Business Park  
Escrick, York  
YO19 6FD



## DECLARATION OF CONFORMITY

To the provisions of Council Directives

We  
**MEROTEC GmbH**  
Otto-Brenner-Str. 8, 47877 Willich  
Germany

**Declare that the product:**  
Machine Description: Cordless Pruner  
Machine Type: LS V14  
Function: Cutting branch

**Complies with the essential health and safety requirements of the following directives:**

Machinery Directive 2006/42/EC  
Electromagnetic Compatibility Directive 2014/30/EU  
Noise Directive, amended by 2005/88/EC  
EC Directive 2011/65/EU and its amendment Directive (EU) 2015/863 (RoHS)

**Standards and technical specification referred to :**

EN 55014-1:2017+A11:2020  
EN 55014-2:2015  
EN 60335-1  
EN 50636-2-94

Authorized Signatory  
Date: 18.01.2022

Signature: Ronald Menken

Place: Willich  
Name: Ronald Menken  
General Manager

MEROTEC GmbH  
Otto-Brenner-Str. 8  
D-47877 Willich, Germany

