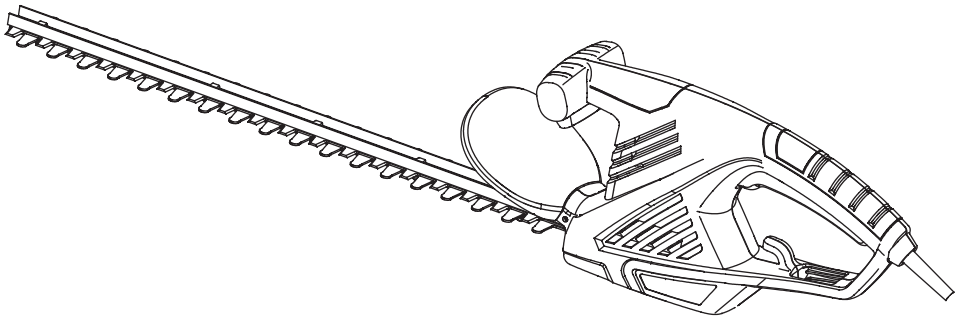




Original User's Instructions

450W Electric Hedge Trimmer

SKU: 89548



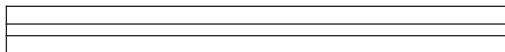
READ BEFORE USE

PLEASE KEEP THESE INSTRUCTIONS FOR FURTHER REFERENCE

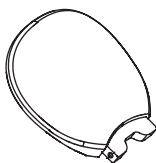
CONTENT

• WHAT'S IN THE BOX -----	3
• SPECIFICATIONS -----	4
• EXPLANATIONS AND SYMBOLS, CAUTIONS AND WARNINGS -----	6
• IMPORTANT SAFETY WARNINGS -----	8
• PRODUCT DESCRIPTION AND IDENTIFICATIONS -----	13
• ASSEMBLY AND OPERATING INSTRUCTIONS -----	14
• CARE AND CLEANING -----	18
• TROUBLE SHOOTING -----	19
• DECLARATION OF CONFORMITY / PERFORMANCE -----	20
• ENVIRONMENTAL INFORMATION -----	21
• GUARANTEE -----	22
• CUSTOMER SUPPORT -----	22

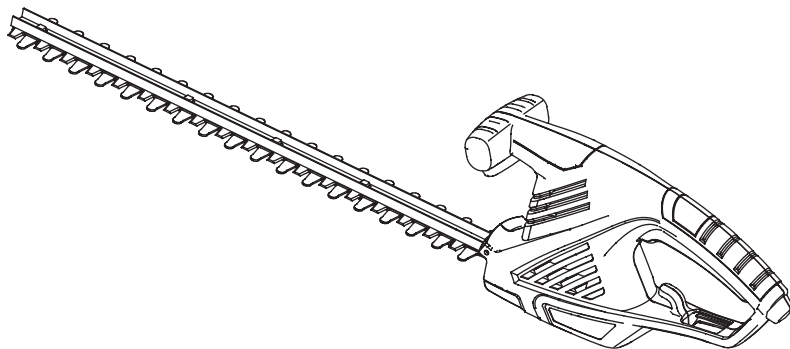
WHAT'S IN THE BOX



Blade sheath x1



Safety guard



Hedge trimmer x1

If you do not have all these items, please contact:

www.coreservice.co.uk

Hotline: +44 01904 947568

Email support@coreservice.co.uk

SPECIFICATION

- Dual safety switch
- Dual action blade
- Electrical blade brake

Technical Data	
Sku/Model	89548/HTEG62CL-510
Voltage	230-240V~50Hz
Power Input	450W
No Load Speed	1750 /min
Max. Cutting Diameter	16 mm
Max. Cutting Length	46 cm
Blade length	51 cm
Protection class	□ /II
Machine Weight Approx.	2.9 kg
Cable	PVC 2x0.75mm ² ; 10m; BS plug

NOISE INFORMATION

A weighted sound pressure $L_{pA} = 87$ dB(A)

$K_{pA} = 3.0$ dB(A)

A weighted sound power $L_{wA} = 99$ dB(A)

$K_{wA} = 3.0$ dB(A)

Wear ear protection.

VIBRATION INFORMATION

Vibration total values (triax vector sum) determined according to EN 62841:

Vibration emission value:

$a_h < 2.5$ m/s²

Uncertainty $K = 1.5$ m/s²

The declared vibration total value and the declared noise emission value have been measured in accordance with a standard test method and may be used for comparing one tool with another.

The declared vibration total value and the declared noise emission value may also be used in a preliminary assessment of exposure.



WARNING: The vibration and noise emissions during actual use of the power tool can differ from the declared value depending on the ways in which the tool is used especially what kind of workpiece is processed dependant on the following examples and other variations on how the tool is used:

How the tool is used and the materials being cut or drilled.

The tool being in good condition and well maintained.

The use of the correct accessory for the tool and ensuring it is sharp and in good condition.

The tightness of the grip on the handles and if any anti vibration and noise accessories are used.

And the tool is being used as intended by its design and these instructions.

This tool may cause hand-arm vibration syndrome if its use is not adequately managed.



WARNING: To be accurate, an estimation of exposure level in the actual conditions of use should also take account of all parts of the operating cycle such as the times when the tool is switched off and when it is running idle but not actually doing the job. This may significantly reduce the exposure level over the total working period.

Helping to minimise your vibration and noise exposure risk.

Always use sharp chisels, drills and blades.

Maintain this tool in accordance with these instructions and keep well lubricated (where appropriate).

If the tool is to be used regularly then invest in anti vibration and noise accessories.

Plan your work schedule to spread any high vibration tool use across a number of days.

EXPLANATIONS AND SYMBOLS, CAUTIONS AND WARNINGS



To reduce the risk of injury, user must read instruction manual



Warning!



Wear eye protection



Wear ear protection



Wear dust mask



Keep hands away from blade



Remove plug from the mains immediately if the cable is damaged or cut.



Do not expose to rain



Waste electrical products must not be disposed of with household waste. Please recycle where facilities exist. Check with your local authorities or retailer for recycling advice.



Double insulation



The product complies with the applicable European directives, and an evaluation method of conformity for these directives was done.



UK Conformity Assessed



Objects thrown by the product could hit the user or other bystanders. Always ensure that other people and pets remain at a safe distance from the product when it is in operation. In general, children must not come near the area where the product is.

IMPORTANT SAFETY WARNINGS

GENERAL POWER TOOL SAFETY WARNINGS



WARNING Read all safety warnings, instructions, tool.

Failure to follow all instructions listed below may result in electric shock, fire and/or serious injury.

Save all warnings and instructions for future reference.

The term “power tool” in the warnings refers to your mains-operated (corded) power tool or battery-operated (cordless) power tool.

1) WORK AREA SAFETY

- a) Keep work area clean and well lit. Cluttered or dark areas invite accidents.
- b) Do not operate power tools in explosive atmospheres, such as in the presence of flammable liquids, gases or dust. Power tools create sparks which may ignite the dust or fumes.
- c) Keep children and bystanders away while operating a power tool. Distractions can cause you to lose control.

2) ELECTRICAL SAFETY

- a) Power tool plugs must match the outlet. Never modify the plug in any way. Do not use any adapter plugs with earthed (grounded) power tools. Unmodified plugs and matching outlets will reduce risk of electric shock.
- b) Avoid body contact with earthed or grounded surfaces, such as pipes, radiators, ranges and refrigerators. There is an increased risk of electric shock if your body is earthed or grounded.
- c) Do not expose power tools to rain or wet conditions. Water entering a power tool will increase the risk of electric shock.

- d) Do not abuse the cord. Never use the cord for carrying, pulling or unplugging the power tool. Keep cord away from heat, oil, sharp edges or moving parts. Damaged or entangled cords increase the risk of electric shock.
- e) When operating a power tool outdoors, use an extension cord suitable for outdoor use. Use of a cord suitable for outdoor use reduces the risk of electric shock.
- f) If operating a power tool in a damp location is unavoidable, use a residual current device (RCD) protected supply. Use of an RCD reduces the risk of electric shock.

3) PERSONAL SAFETY

- a) Stay alert, watch what you are doing and use common sense when operating a power tool. Do not use a power tool while you are tired or under the influence of drugs, alcohol or medication. A moment of inattention while operating power tools may result in serious personal injury.
- b) Use personal protective equipment. Always wear eye protection. Protective equipment such as dust mask, non-skid safety shoes, hard hat, or hearing protection used for appropriate conditions will reduce personal injuries.
- c) Prevent unintentional starting. Ensure the switch is in the off-position before connecting to power source and/or battery pack, picking up or carrying the tool. Carrying power tools with your finger on the switch or energising power tools that have the switch on invites accidents.
- d) Remove any adjusting key or wrench before turning the power tool on. A wrench or a key left attached to a rotating part of the power tool may result in personal injury.
- e) Do not overreach. Keep proper footing and balance at all times. This enables better control of the power tool in unexpected situations.

- f) Dress properly. Do not wear loose clothing or jewellery.
Keep your hair and clothing away from moving parts. Loose clothes, jewellery or long hair can be caught in moving parts.
- g) If devices are provided for the connection of dust extraction and collection facilities, ensure these are connected and properly used. Use of dust collection can reduce dust-related hazards.
- h) Do not let familiarity gained from frequent use of tools allow you to become complacent and ignore tool safety principles.
A careless action can cause severe injury within a fraction of a second.

4) POWER TOOL USE AND CARE

- a) Do not force the power tool. Use the correct power tool for your application. The correct power tool will do the job better and safer at the rate for which it was designed.
- b) Do not use the power tool if the switch does not turn it on and off. Any power tool that cannot be controlled with the switch is dangerous and must be repaired.
- c) Disconnect the plug from the power source and/or remove the battery pack, if detachable, from the power tool before making any adjustments, changing accessories, or storing power tools. Such preventive safety measures reduce the risk of starting the power tool accidentally.
- d) Store idle power tools out of the reach of children and do not allow persons unfamiliar with the power tool or these instructions to operate the power tool. Power tools are dangerous in the hands of untrained users.
- e) Maintain power tools and accessories. Check for misalignment or binding of moving parts, breakage of parts and any other condition that may affect the power tool's operation. If damaged, have the power tool repaired before use. Many accidents are caused by poorly maintained power tools.

- f) Keep cutting tools sharp and clean. Properly maintained cutting tools with sharp cutting edges are less likely to bind and are easier to control.
- g) Use the power tool, accessories and tool bits etc. in accordance with these instructions, taking into account the working conditions and the work to be performed. Use of the power tool for operations different from those intended could result in a hazardous situation.
- h) Keep handles and grasping surfaces dry, clean and free from oil and grease. Slippery handles and grasping surfaces do not allow for safe handling and control of the tool in unexpected situations.

5) SERVICE

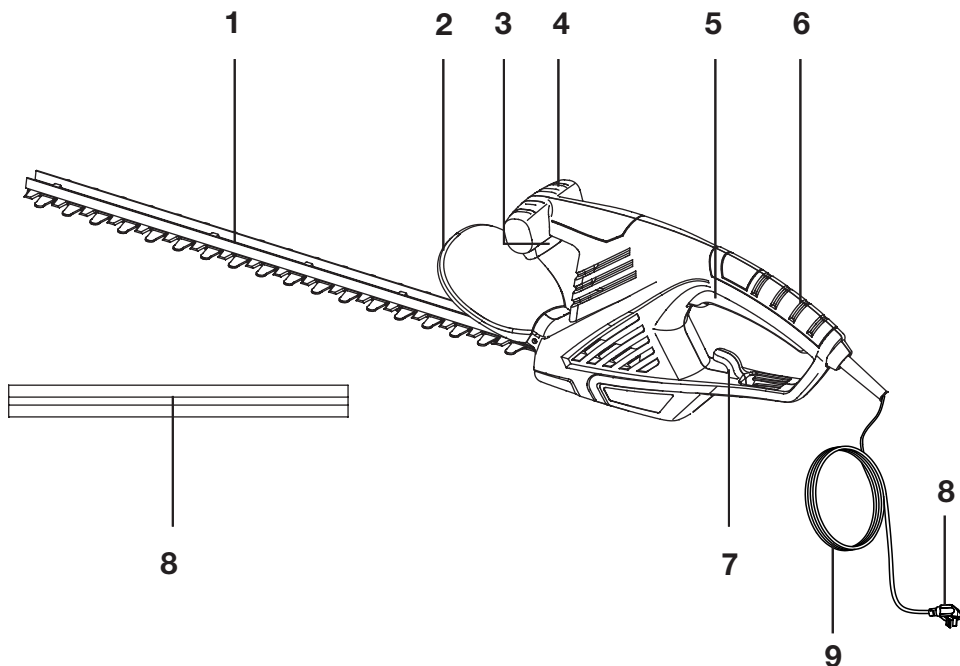
- a) Have your power tool serviced by a qualified repair person using only identical replacement parts. This will ensure that the safety of the power tool is maintained.

HEDGE TRIMMER SAFETY WARNINGS:

- a) Keep all parts of the body away from the blade. Do not remove cut material or hold material to be cut when blades are moving. Blades continue to move after the switch is turned off. A moment of inattention while operating the hedge trimmer may result in serious personal injury.
- b) Carry the hedge trimmer by the handle with the blade stopped and taking care not to operate any power switch.
Proper carrying of the hedge trimmer will decrease the risk of inadvertent starting and resultant personal injury from the blades.
- c) When transporting or storing the hedge trimmer, always fit the blade cover. Proper handling of the hedge trimmer will decrease the risk of personal injury from the blades.

- d) When clearing jammed material or servicing the unit, make sure all power switches are off and the battery back is removed or disconnected. Unexpected actuation of the hedge trimmer while clearing jammed material or servicing may result in serious personal injury.
- e) Hold the hedge trimmer by insulated gripping surfaces only, because the blade may contact hidden wiring. Blades contacting a “live” wire may make exposed metal parts of the hedge trimmer “live” and could give the operator an electric shock.
- f) Keep all power cords and cables away from cutting area.
Power cords or cables may be hidden in hedges or bushes and can be accidentally cut by the blade.
- g) Do not use the hedge trimmer in bad weather conditions, especially when there is a risk of lightning. This decreases the risk of being struck by lightning.
- h) Check the hedges and bushes for foreign objects, e.g. wire fences and hidden wiring.
- i) Hold the hedge trimmer properly, e.g. with both hands if two handles are provided.
- j) The hedge trimmer is intended to be used by the operator at ground level and not on ladders or any other unstable support.
- k) Before operating the hedge trimmer, the user should make sure the locking device(s) of any moving elements (e.g. the extended shaft and pivoting element), if any, are in the locked position.
- l) Recommendation for the use of a residual current device with a tripping current of 30 mA or less.

PRODUCT DESCRIPTION AND IDENTIFICATIONS



1. Blade
2. Safety guard
3. Front handle switch lever
4. Front handle
5. Switch lever
6. Rear handle
7. Cable strain relief arm
8. Blade sheath
9. Cable
10. Plug

Not all the accessories illustrated or described are included in standard delivery.

ASSEMBLY AND OPERATING INSTRUCTIONS



To reduce the risk of injury, user must read instruction manual

Intended Use

The machine is intended for cutting and trimming hedges and bushes in domestic use.

1. ASSEMBLY OF THE GUARD (SEE FIG. A)

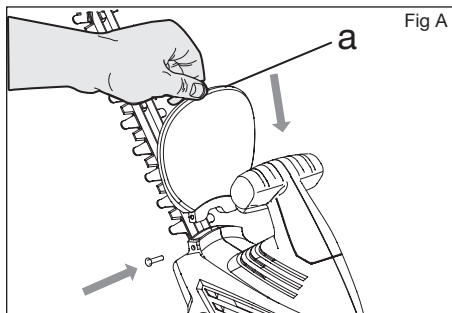
Loosen the two screws in the hole first.

Insert the Safety Guard (a) into the slot as illustrated in Fig A; making sure it is securely attached.

Use the two screws to fix the Safety Guard (a) securely.

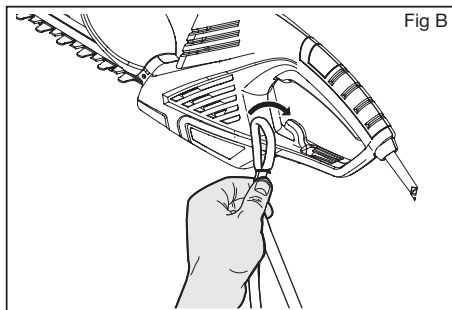


Warning! Do not use the product without fitting the guard.



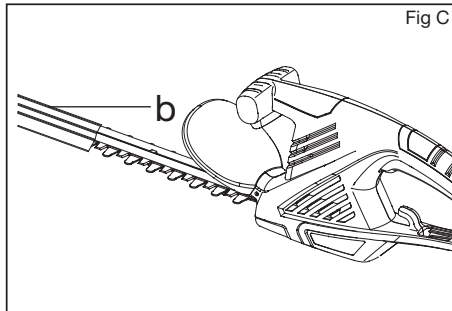
1. MAINS SUPPLY CABLE STRAIN RELIEF (SEE FIG. B)

For strain relief of the cable, form a loop of the end of the extension cable and bring this through the opening at the handle and suspend in the tension relief at the handle.



2. STARTING AND STOPPING (SEE FIG. C) BEFORE STARTING YOUR HEDGE TRIMMER

Press both sides of the front end of blade sheath (b) as shown in Fig C, and then remove the blade sheath.

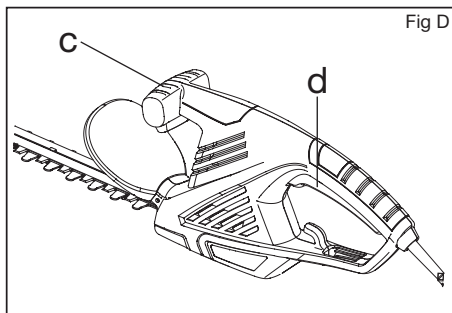


TO START YOUR HEDGE TRIMMER (SEE FIG. D)

There are two switch levers fitted in your Hedge trimmer. Both switch levers need to be depressed for the product to start. Depress and hold the front switch lever (c) and press the switch lever (d).

TO STOP YOUR HEDGE TRIMMER

Move hedge trimmer away from cutting area before stopping. To stop, release one of the switch levers C or D.



Warning: If any parts are missing, damaged or broken, do not operate your hedge trimmer until all damaged parts have been replaced or repaired. Failure to do so could result in serious personal injury.

3. HOW TO USE YOUR HEDGE TRIMMER

Inspect the area to be cut before each use, remove objects which can be thrown or become entangled in the cutting blades.

Always hold the hedge trimmer with both hands and with the blade away from you before turning it on.

Always keep the power cord behind the hedge trimmer when in use. Do not place it over the hedge that you are trimming where it may be cut by the blade.

When trimming new growth, use a wide sweeping action so that the stems are fed directly into the blade.

Allow the cutting blades to reach full speed before entering the material to be cut.

Always work going away from people and solid objects such as walls, large stones, trees, vehicles etc.

If the blade stalls, immediately stop the hedge trimmer.

Disconnect the hedge trimmer from the mains and clear the jammed debris from the cutting blades.

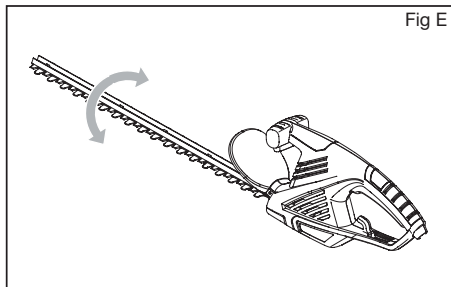
Wear gloves when trimming thorny or prickly growth.

Move the hedge trimmer to feed the branches directly into the blade cutting edges.

Do not try to cut stems that are too large to feed into the cutting blade.

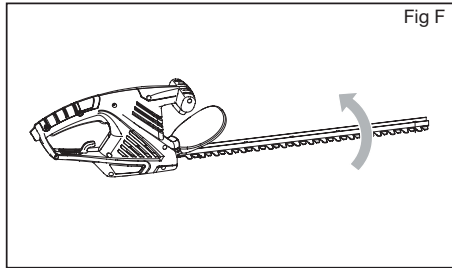
TOP CUTTING (SEE FIG. E)

Use a wide sweeping motion. A slight downward tilt of the cutting blades in the direction of motion gives the best cutting results.



SIDE CUTTING (SEE FIG. F)

When trimming the sides of the hedge, begin at the bottom and cut upwards, tapering the hedge inward at the top. This shape will expose more of the hedge, resulting in a more uniformed growth.



Warning: Check extension cords before each use. If damaged replace immediately. Never use your tool with a damaged cord since touching the damaged area could cause electrical shock resulting in serious injury.

If the supply cord is damaged, it should be replaced by a local approved Service Centre. Take care not to expose this tool to rain.

CARE AND CLEANING

CLEANING

Disconnect from mains electrics supply. Using a soft brush-remove debris from all air intakes and cutting blade.

Wipe over surface of your hedge trimmer with a dry cloth.



Warning! Never use water for cleaning your hedge trimmer. Do not clean with chemicals, including petrol, or solvents as this can damage your hedge trimmer.

LUBRICATING THE CUTTING BLADE

For easier operation and longer life, lubricate the cutting blades before and after each use. Before lubricating, make sure your hedge trimmer is disconnected from the mains electricity supply. Apply the oil so that it runs between the two blades.

Your trimmer should be stopped, disconnected and oiled occasionally during use.

AT THE END OF THE CUTTING SEASON

Clean your hedge trimmer thoroughly.

Check that all nuts and bolts are secure.

Visually inspect the hedge trimmer for any worn or damaged parts.

TO STORE YOUR HEDGE TRIMMER

Store the hedge trimmer in a secure, dry place out of the reach of children. Do not place other objects on top of the machine.

TROUBLE SHOOTING

Use this section to help you to try and solve any problems you may have:

PROBLEMS	POSSIBLE CAUSES	REMEDIES
Trimmer fails to operate	Out of electricity	Insert the plug into a proper mains power.
	Damaged machine	Return the trimmer to an authorised dealer for repair.
Trimmer does not cutting properly	Blunt or damaged blade	Contact service agent.
Suspected fault	Damaged machine	Return the trimmer to an authorised dealer for repair.

NOTE: IF YOU EXPERIENCE A PROBLEM WITH YOUR TOOL, PLEASE DO NOT ATTEMPT TO OPEN OR REPAIR THE TOOL YOURSELF. DOING SO MAY VOID THE WARRANTY AND COULD CAUSE DAMAGE OR PERSONAL INJURY. IF THE PROBLEM STILL PERSISTS, PLEASE CONTACT US BY REFERRING TO THE SERVICE & SUPPORT INFORMATION ON THE FOLLOWING PAGE.

DECLARATION OF CONFORMITY / PERFORMANCE



Product Code: 89548 (HTEG62CL-510)

Product Description Hawksmoor: 450W Electric Hedge Trimmer

1. Toolstation Limited, Express Park, Bristol Road, Bridgwater, Somerset TA6 4RN
This declaration of conformity is issued under the sole responsibility of Toolstation

2. Object of the declaration

The object of the declaration described above is in conformity with the relevant Community harmonization legislation:

Supply of Machinery (Safety) Regulations 2008
2006/42/EC

Electromagnetic Compatibility Regulations 2016
2014/30/EU

The Restriction of the Use of Certain Hazardous Substances in Electrical and Electronic Equipment
Regulations 2012
2011/65/EU&(EU)2015/863

Noise Emission in the Environment by Equipment for use Outdoors Regulations 2001
2000/14/EC amended by 2005/88/EC

2000/14/EC amended by 2005/88/EC:

- Conformity Assessment Procedure as per	Annex V
- Measured Sound Power Level	88 dB(A)
- Declared Guaranteed Sound Power Level	101 dB(A)

3. References to the relevant standards used (or references to the specifications in relation to which conformity is declared:

BS EN 62841-1, BS EN 62841-4-2, BS EN ISO 3744, BS EN 55014-1, BS EN 55014-2,
BS EN 61000-3-2, BS EN 61000-3-3

4. Additional information:

Signed for and on behalf of Toolstation Limited

ENVIRONMENTAL INFORMATION



The symbol on the product or its packaging indicates that this product must not be disposed of with your other household waste. Instead, it is your responsibility to dispose of your waste equipment by handing it over to a designated collection point for the recycling of waste electrical and electronic equipment. The separate collection and recycling of your waste equipment at the time of disposal will help conserve natural resources and ensure that it is recycled in a manner that protects human health and the environment. For more information about where you can drop off your waste for recycling, please contact your local authority, or where you purchased your product.

GUARANTEE

Toolstation products deliver reliable service for normal, household use in domestic settings. All Toolstation products are individually tested before leaving the factory.

If you are a consumer and you experience a problem with your Toolstation product, which is found to be defective due to faulty materials or workmanship within the Guarantee Period, this Toolstation Guarantee will cover repair or - at the discretion of Toolstation - replacement with a functionally equivalent Toolstation product.

Your product is under guarantee for 2 year from the date of purchase or the date of delivery of the product, if later.

The guarantee is subject to the following provisions:

- The guarantee does not cover accidental damage, misuse, cabinet parts, knobs, or consumable items.
- The product must be correctly installed and operated in accordance with the instructions contained in this manual.
- It must be used solely for domestic purpose.
- The guarantee will be rendered invalid if the product is re-sold or has been damaged by inexpert repair.
- Specifications are subject to change without notice.
- The manufacturer disclaims any liability for the incidental or consequential damages.
- The guarantee is in addition to, and does not diminish your statutory or legal rights.

CUSTOMER SUPPORT

www.coreservice.co.uk

Call us +44 01904 947568

Email: support@coreservice.co.uk

Made in China