



User Manual

Great care has gone into the manufacture of this product and it should therefore provide you with years of good service when used properly. In the event of product failure within its intended use over the course of the first 3 years after date of purchase, we will remedy the problem as quickly as possible once it has been brought to our attention. In the unlikely event of such an occurrence, or if you require any information about the product, please contact us via our helpline support services, details of which are to be found both in this manual and on the product itself.



PRODUCED IN CHINA FOR:
ALDI STORES LTD. PO BOX 26, ATHERSTONE
WARWICKSHIRE, CV9 2SH

ALDI STORES (IRELAND) LTD.
PO BOX 726, NAAS, CO. KILDARE
Visit us at www.aldi.com

AFTER SALES SUPPORT

815124



GB +44(0) 1904727501 IE +353(0) 19022605



support@coreservice.co.uk

MODEL:
GDRT26

05/2022

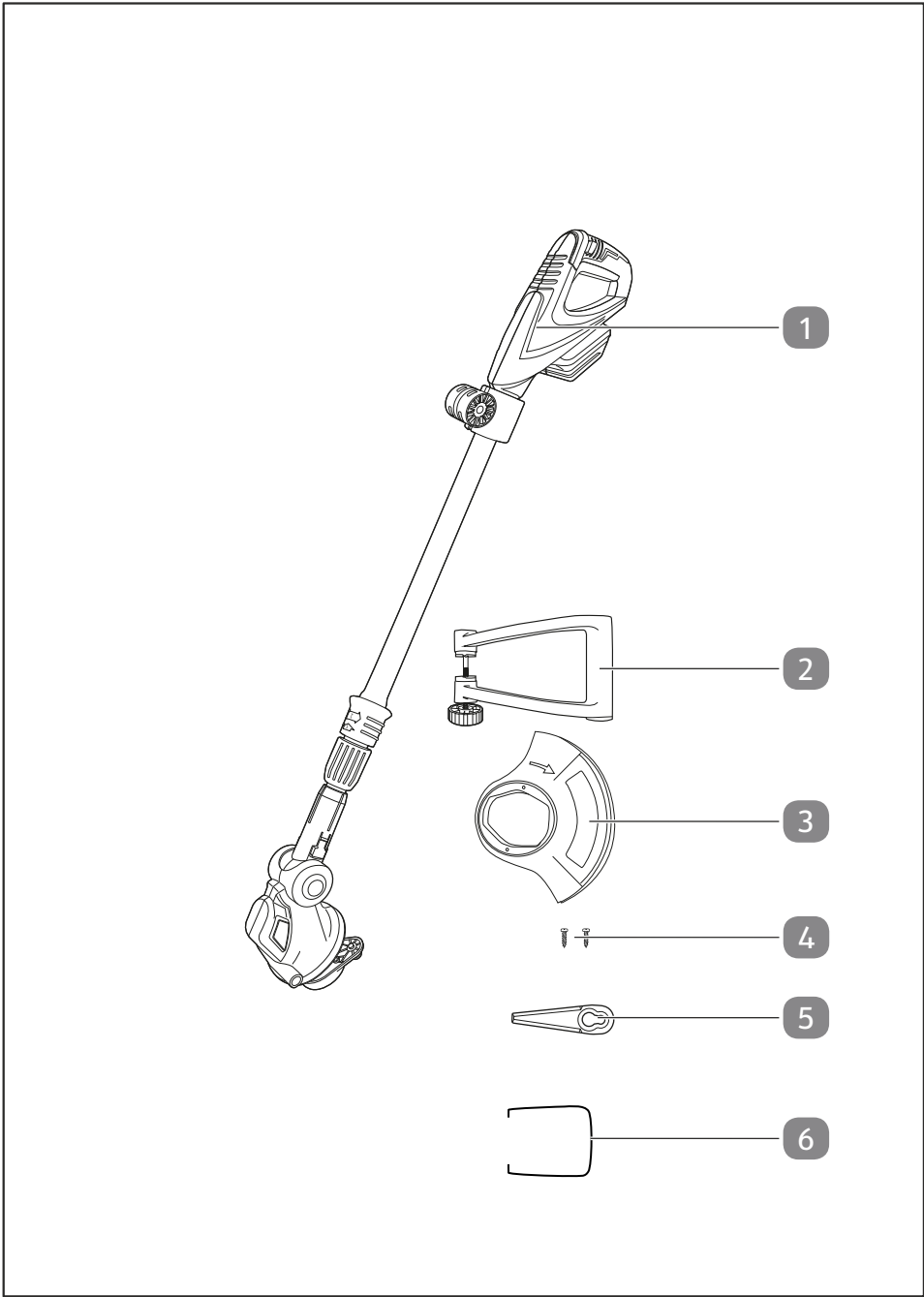
3
YEAR
WARRANTY

FERREX®

20V LI-ION CORDLESS LAWN TRIMMER



Original User Manual



Package contents

- 1 Cordless Lawn trimmer
- 2 Extra handle
- 3 Protective cover
- 4 Screws (x2)
- 5 Nylon cutter (x22)
- 6 Bracket

User manual and warranty card (not shown)

Tools required (not supplied)

- 7 PH2 Phillips screwdriver



Table of content

Overview	2
Package contents	3
General information	5
Reading and storing the user manual.....	5
Proper use.....	5
Explanation of symbols	6
Safety	7
Before first use	15
Check the device and scope of delivery.....	15
Cleaning the device and accessories.....	15
Controls.....	16
Preparing for operation	17
Mounting the extra handle.....	17
Suspending the bracket.....	17
Installing the protective cover.....	18
Inserting the nylon blades.....	18
Blade storage.....	19
Operation	19
Adjusting the telescopic guide rail.....	19
Adjusting the extra handle.....	19
Adjusting the cutting angle.....	20
Cutting width indicator/plant protection bracket.....	20
Inserting/replacing the battery.....	20
Using the device	21
Using the device as an edge trimmer.....	22
Inspection	23
Maintenance	23
Cleaning	23
Storage	24
Transport	24
Troubleshooting	24
Spare parts	25
Technical data	26
Declaration of conformity	28
Disposal	29

General information

Reading and storing the user manual



This user manual is part of the cordless lawn trimmer (hereinafter also called "device"). It contains important information on how to set up and use the device.

Before using the device, read the operating manual carefully, in particular the safety instructions. Failure to follow this operating manual may lead to severe injuries or product damage.

This user manual is based on the standards and regulations that are valid within the European Union. Outside the EU, please also note the country-specific directives and laws.

Keep this operating manual for future reference. If you pass this device on to a third party, you must also supply this operating manual.

This user manual is also available in PDF format from our after sales support.

Proper use

The device is exclusively designed to cut lawn edges and smaller lawns.

This device is intended for private use only and is not suitable for commercial use. Use the device only as described in this operating manual. Any other use is improper and may lead to product damage or even personal injury. This device is not a toy.

The manufacturer or retailer assume no liability for damage caused by improper or incorrect use.

Explanation of symbols

The following symbols and signal words are used in this user manual, on the device or on the packaging.



General warning sign.



Read the operating manual.



This symbol provides you with useful additional information on handling and use.



Declaration of conformity (see chapter “Declaration of conformity”):
Products marked with this symbol meet all the applicable Community regulations of the European Economic Area.



Wear protective goggles.



Wear hearing protection.



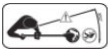
Wear protective gloves.



Do not use the device in the rain.



Keep other people away.



Keep other persons away. They might get injured by flying foreign objects.



The cutting head continues to rotate for a few seconds after switching off. Keep hands and feet away until the device has come to a complete standstill.



The symbol shows the maximum sound power level L_{WA} .

Safety

Explanation of instructions

The following signal words are used in this user manual.

▲ WARNING!

This signal symbol/word denotes a hazard with an average risk level that could lead to death or severe injury if it is not avoided.

▲ CAUTION!

This signal symbol/word denotes a hazard with a low risk level that could lead to mild or moderate injury if it is not avoided.

NOTE!

This signal word provides a warning about potential material damage.

General safety notes for power tools

⚠ WARNING!

Read all safety notes, instructions, illustrations and technical data provided with this power tool. Failure to follow the instructions below may result in electric shock, fire and/or serious injury.

Keep all safety notes and instructions for future reference.

The term "power tool" used in the safety notes refers to both mains-operated power tools (with power cord) and battery-powered power tools (without power cord).

Workplace safety

- **Keep your work area tidy and well lit.** *Clutter or unlit work areas can lead to accidents.*
- **Do not operate power tools in explosive atmospheres, such as in the presence of flammable liquids, gases or dust.** *Power tools create sparks which may ignite the dust or fumes.*
- **Keep children and bystanders away while operating a power tool.** *Distractions can cause you to lose control.*

Electrical safety

- **Avoid body contact with earthed or grounded surfaces, such as pipes, radiators, ranges and refrigerators.** *There is an increased risk of electric shock if your body is earthed or grounded.*
- **Do not expose power tools to rain or wet conditions.** *Water entering a power tool will increase the risk of electric shock.*

Personal safety

- **Stay alert, watch what you are doing and use common sense when operating a power tool. Do not use a power tool while you are tired or under the influence of drugs, alcohol or medication.***A moment of inattention while operating power tools may result in serious personal injury.*
- **Use personal protective equipment. Always wear eye protection.***Protective equipment such as a dust mask, non-skid safety shoes, hard hat or hearing protection used for appropriate conditions will reduce personal injuries.*
- **Prevent unintentional starting. Ensure the switch is in the off-position before connecting to power source and/or battery pack, picking up or carrying the tool.***Carrying power tools with your finger on the switch or energising power tools that have the switch on invites accidents.*
- **Do not overreach. Keep proper footing and balance at all times.***This enables better control of the power tool in unexpected situations.*
- **Dress properly. Do not wear loose clothing or jewellery. Keep your hair and clothing away from moving parts.***Loose clothes, jewellery or long hair can be caught in moving parts.*
- **Do not let familiarity gained from frequent use of tools allow you to become complacent and ignore tool safety principles.***A careless action can cause severe injury within a fraction of a second.*

Using and handling the power tool

- **Do not overload the power tool. Use the appropriate power tool for your work.** *The right power tool allows you to work better and safer in the specified power range.*
- **Do not use any power tool that has a defective switch.** *Power tools that can no longer be switched on or off are dangerous and must be repaired.*
- **Disconnect the plug from the socket and/or remove any removable batteries before making adjustments to the device, changing any insert tool parts, or putting the power tool away.** *This precaution helps prevent unintentional starting of the power tool.*
- **Keep power tools out of the reach of children when not in use. Whoever is not familiar with the power tool or who has not read these instructions should not be allowed to use it.** *Power tools are dangerous if used by inexperienced persons.*
- **Power tools and insert tools must be subject to careful maintenance. Check whether moving parts function properly without jamming, and whether parts are broken or damaged to such an extent that they impair the functions of the power tool. Have damaged parts repaired before using the power tool.** *Many accidents happen due to poorly maintained power tools.*
- **Keep cutting tools sharp and clean.** *Carefully maintained cutting tools with sharp blades tend to jam less and are easier to guide.*
- **Use power tools, insert tools, insert tool parts, etc. according to these instructions. While doing so, take into account the working conditions and the activity to be**

performed. *The use of power tools for applications other than those intended can lead to dangerous situations.*

- **Keep handles and grip surfaces dry, clean and free of oil and grease.** *Slippery handles and grip surfaces hinder safe operation and control of the power tool in unforeseen situations.*

Using and handling the cordless tool

- **Only charge the batteries using chargers recommended by the manufacturer.** *Chargers suitable for a particular type of battery may present a fire hazard if used with other batteries.*
- **Only use purposely provided batteries in the power tools.** *The use of other batteries may lead to injuries and present a fire hazard.*
- **Keep unused batteries away from paper clips, coins, keys, nails, screws, or other small metal objects that could short the contacts.** *A short circuit between the battery contacts can cause burns or fire.*
- **If used incorrectly, fluid may leak from the battery. Avoid touching it. In case of accidental contact, rinse with water. If the fluid gets into your eyes, seek additional medical**

attention. *Leaking battery fluid may cause skin irritation or burns.*

- **Do not use a damaged or modified battery.** *Damaged or modified batteries may behave unpredictably and cause fire, explosion or injury.*
- **Do not expose batteries to fire or excessive temperatures.** *Fire or temperatures above 130 °C may cause an explosion.*
- **Follow all charging instructions and never charge the battery or cordless tool outside the temperature range specified in the operating manual.** *Incorrect charging or charging outside the permitted temperature range can destroy the battery and aggravate the fire hazard.*

Service

- **Have your power tool serviced by a qualified repair person using only identical replacement parts.** *This will ensure that the safety of the power tool is maintained.*
- **Never service damaged battery packs.** *Service of battery packs should only be performed by the manufacturer or authorized service providers.*

WARNING!

Risk of injury for persons with impaired mobility or lack of experience and expertise!

Improper handling of the device can lead to severe injuries or damage to the device.

- Do not leave the device unattended when in use.
- Do not allow others to handle the device until you have read and understood this operating manual or until you have been instructed about its intended use and the associated risks.

- Never let children or persons with impaired physical, sensory or mental abilities, or lack of experience or knowledge, or persons unfamiliar with the device's operating instructions use the device.
- The minimum age of the user might be prescribed by local or national regulations.

▲ CAUTION!

Risk of injury!

Improper use of the device can lead to injuries.

- Make sure that the blades do not touch rocks or other hard objects when you switch on the device.
- Only switch the device on when holding it vertical to the ground and in the correct working position. Keep it away from your body.
- Do not turn the device on when it is upside down and not in working position.
- Do not operate the device near persons (especially children) or pets. Keep a minimum distance of 5 m.
- Do not cut any hard objects. The edge of the protective cover serves to keep the device away from walls, hard surfaces and fragile items.
- Never use the device with a damaged or missing protective cover.
- Never stop the blades with your hands. Wait until they are at a complete standstill.
- Only cut grass that grows on the ground. Do not cut any grass growing on walls, rocks or similar.
- Always wear sturdy shoes and long pants when working with the device.
- Hold the device by the handles provided.

- Always switch the device off when interrupting work, going to another work section and/or crossing gravel paths or roads. Always wait until the blade is at a standstill before transporting the device.
- The blades keep rotating for a few seconds after the device is switched off. Wait until the blades have come to a complete standstill before transporting, servicing or storing the device.

NOTE!

Risk of damage!

Improper handling can damage the device.

- Perform a visual inspection before and after each use. Do not use the device if the safety devices are damaged.
- Check the grass to be cut before starting work. Remove any foreign objects. Watch out for foreign objects while working. Should foreign objects enter the device during cutting, switch it off, take out the battery and remove the foreign objects.
- Use the plant protector/cutting width indicator and the protective cover to prevent unnecessary wear.
- Keep the blades away from hard objects. Do not cut any hard objects to prevent unnecessary wear.
- Keep the vents clean.

Residual risks

Despite proper use, hidden residual risks cannot be completely excluded.

Depending on the type of device, the following risks may occur:

Health risks which may result from vibration emissions if the device is used for a long period of time or is not properly used or maintained.

Injuries and material damage, which are caused by the moving blade or breaking tool heads.

Before first use

Check the device and scope of delivery

NOTE!

Risk of damage!

If opening the packaging with a sharp knife or other pointed objects, careless handling can damage the device.

- Therefore, be very careful when opening.

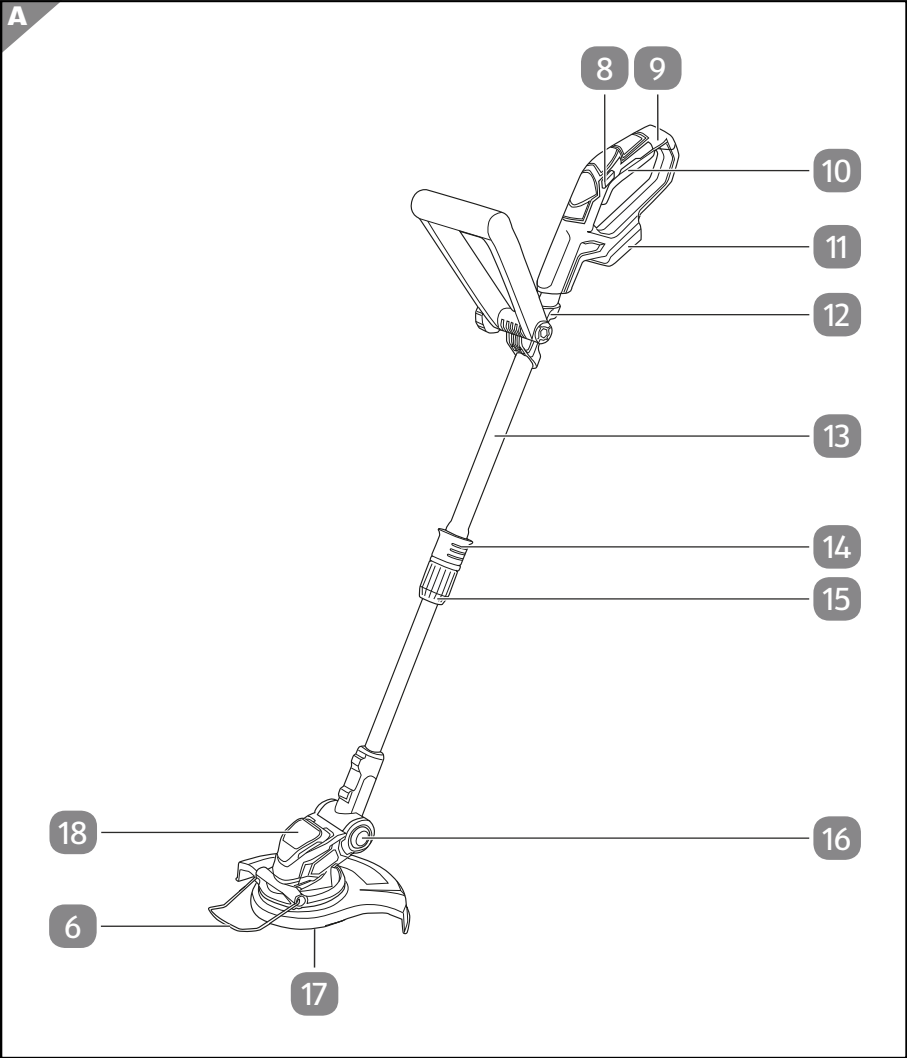
1. With both hands, lift the device out of the packaging.
2. Check that the delivery is complete (see chapter “Package contents”).
3. Inspect the device and individual parts for damage. Do not operate a damaged device; instead, contact the manufacturer via the service center listed on the warranty card.

Cleaning the device and accessories

1. Remove the packaging and all protective film.
2. Clean the device and accessories before using them for the first time.

Before first use

Controls

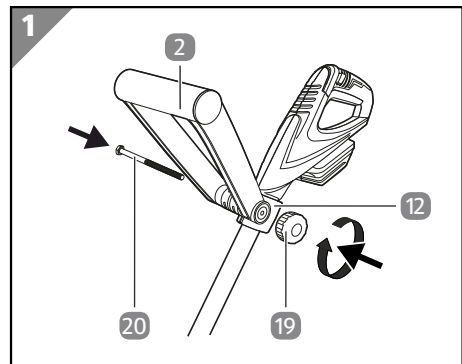


- 8 Switch lock
- 9 Handle
- 10 ON/OFF switch
- 11 Battery holder
- 12 Mount for extra handle
- 13 Telescopic guide rail
- 14 Latch
- 15 Telescopic guide rail latch
- 16 Cutting angle latch
- 17 Nylon blade retainer
- 6 Bracket
- 18 Motor housing

Preparing for operation

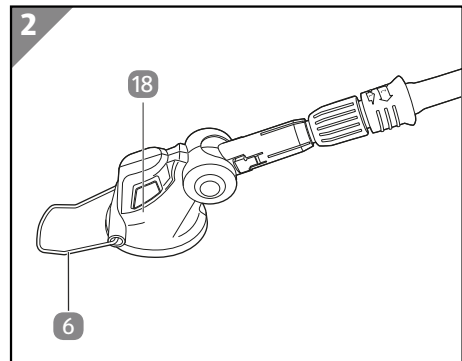
Mounting the extra handle

1. Unscrew the clamping screw **19** on the extra handle **2** counter-clockwise.
2. Pull out the screw **20** in the extra handle.
3. Attach the extra handle to the mount for the extra handle **12**.
The teeth on the mount and on the extra handle must engage.
4. Push the screw through the hole in the mount and in the extra handle.
5. Screw the clamping screw clockwise onto the thread of the screw and tighten it.



Suspending the bracket

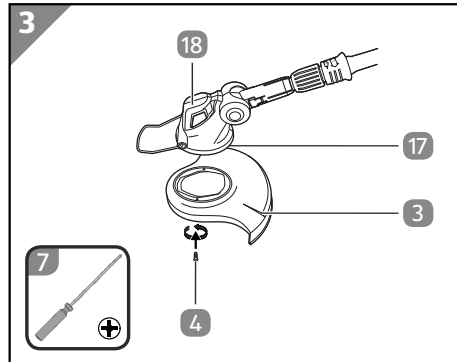
1. Push one side of the bracket **6** into the retainer on the motor housing **18**.
2. Slightly pull the bracket apart and insert the other side of the bracket into the second retainer on the motor housing.



Preparing for operation

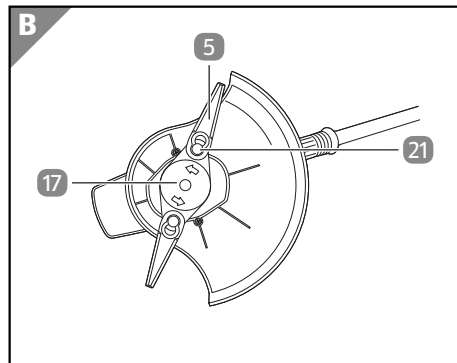
Installing the protective cover

1. With a PH2 Phillips screwdriver **7**, unscrew the two screws **4** on the bottom of the motor housing **18** counter-clockwise.
2. Pull the protective cover **3** over the nylon blade retainer **17** to the underside of the motor housing.
3. Use a PH2 Phillips screwdriver to screw both screws clockwise into the underside of the motor housing again through the provided boreholes in the protective cover.
4. Check that the protective cover fits tightly.



Inserting the nylon blades

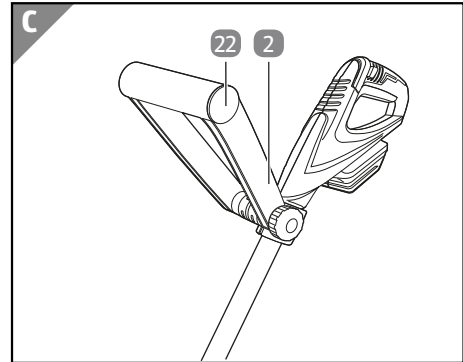
1. Guide a nylon blade **5** with the larger opening over the head of a locating bolt **21** on the nylon blade retainer **17**.
2. Pull on the nylon blade so that the locating bolt engages in the smaller opening of the nylon blade.
3. Repeat both steps to attach the second nylon blade.



Blade storage

You can store spare nylon blades in the blade storage **22** and take them out when necessary.

1. Pull off the cover in the extra handle **2**.
2. Insert the nylon blade **5** into the blade storage.
3. Close the cover on the extra handle.

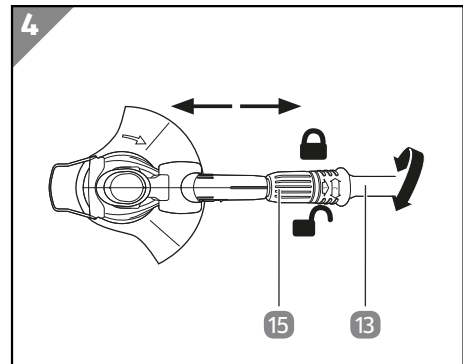


Operation

Adjusting the telescopic guide rail

Adjust the height of the telescopic guide rail **13** to your optimum working position.

1. Place the device on the ground.
2. Open the latch of the telescopic guide rail **15**.
3. Extend the telescopic guide rail to the desired height.
4. Close the latch of the telescopic guide rail.

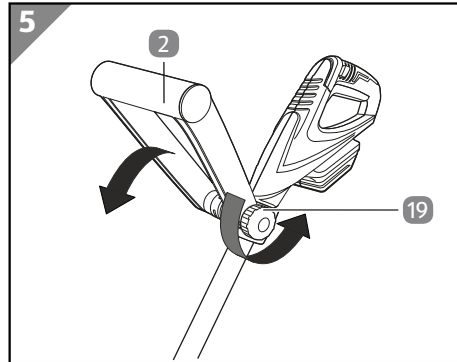


Adjusting the extra handle

Adjust the extra handle **2** to obtain the optimum working position. Always make sure that the teeth on the extra handle and on the mount **12** engage.

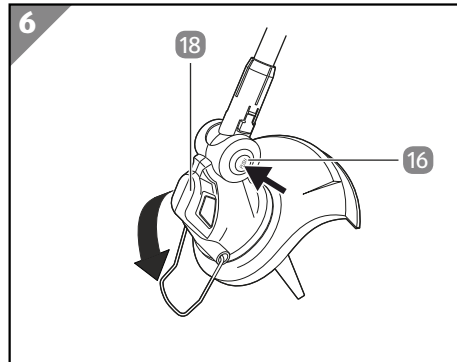
Operation

1. Place the device on the ground.
2. Undo the clamping screw **19**.
3. Set the desired position of the extra handle.
4. Then tighten the screw again.



Adjusting the cutting angle

1. Press and hold the cutting angle latch **16** on the motor housing **18**.
2. Set the desired cutting angle to one of the four positions.
3. Let go of the cutting angle latch.
4. Move the motor housing back and forth until it snaps into place.



Cutting width indicator/plant protection bracket

The bracket **6** serves to protect plants and indicate the cutting width. The nylon blades **5** only move within the length of the folded-down bracket. You can also operate the device with the bracket folded up, if necessary.

Inserting/replacing the battery

The device's battery is a system battery and must be purchased separately. Read the battery's user manual before using the battery.

⚠ CAUTION!

Fire and explosion hazard through reverse polarity or short circuiting

- Only use suitable batteries (see chapter "Technical Data") approved by the manufacturer.
- Only use undamaged batteries.

Removing the battery

1. Press and hold the battery release button.
2. Pull the battery out of the battery holder.

If the battery does not come off easily, you have not applied enough pressure on the battery release button. Press the battery release button harder.

Inserting the battery

1. To insert the battery, slide it into the battery holder.
You will hear a "click" when the battery lock engages.
2. Make sure that the battery is seated firmly.

Using the device

⚠ WARNING!

Risk of injury and damage.

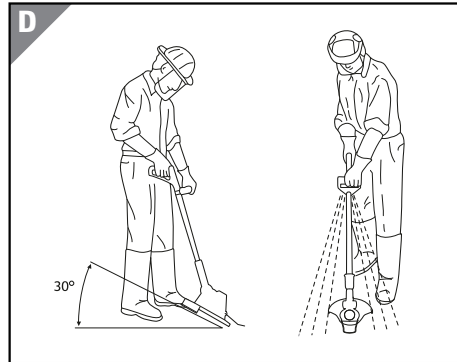
If grass, hard objects or similar block the blades, you might injure yourself or damage the device.

- If the blades jam, turn the device off immediately and remove the battery.
- Wait until the blades are at a complete standstill before carefully removing foreign objects.
- Wear protective gloves.
- Wait until the device is switched on before you approach the grass.

1. Insert the battery in the device (see section "Inserting/replacing the battery")
2. Press and hold the switch lock **8** in the handle **9**.
3. Press the ON/OFF switch **10**.
Once the device has started, you can let go of the switch lock.
4. Approach the grass with the blade.

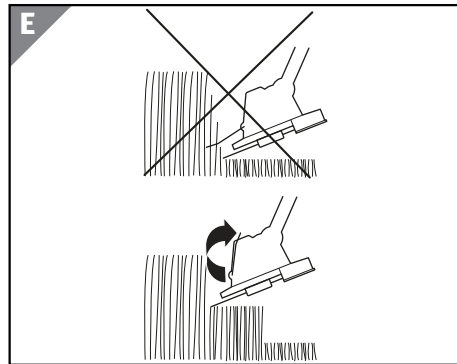
Using the device

5. Move forward and swing the device left and right.
Keep the device at a 30° angle while cutting.
6. Let go of the ON/OFF switch to switch the lawn trimmer off.
7. Remove the battery.



Cutting long grass

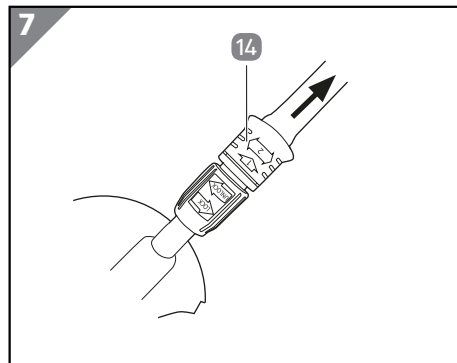
Cut long grass in stages starting at the top. To do this, fold the bracket **6** upwards.



Using the device as an edge trimmer

1. Make sure that the device is turned off and that the battery has been removed.
2. Pull up the latch **14**.
3. Turn the handle **9** or the motor housing **18** through 90° all the way to the right or the left until the latch engages.
4. Adjust the cutting angle, if required (see section "Adjusting the cutting angle").

You have converted the device into an edge trimmer and can now cut the edge of your lawn vertically.



Inspection

Before each use check that:

- The device is undamaged.
- The operating controls are undamaged.
- The accessories are in perfect condition.
- The vents are clear and clean.

Do not operate a damaged device or accessory. Instead, get it inspected and repaired by the manufacturer or their customer service or a similarly qualified person.

Maintenance

▲ WARNING!

Risk of injury!

- Never replace the non-metallic cutting means with metallic cutting means.

Exchanging the nylon blades

1. Make sure that the device is turned off and that the battery has been removed.
2. Exert slight pressure to slide the nylon blade **5** out of its engaged position on the locating bolt **21**.
3. Guide the nylon blade with the larger opening over the head of the locating bolt and take it off.
4. Insert a new nylon blade (see section "Inserting the nylon blades").

Cleaning

NOTE!

Risk of damage!

Improper handling can damage the device.

- Do not use any harsh cleaning products, brushes with metal or nylon bristles, or sharp or metallic cleaning materials such as knives, hard scrapers or similar. They may damage the surfaces.
1. Make sure that the device is turned off and that the battery has been removed.

Cleaning

2. Clean the device with compressed air at low pressure, if necessary.
3. Remove coarse dirt on the protective cover **3** with a brush.
4. Clean the motor housing **18** with a damp soapy cloth.
5. Clean the battery with a slightly damp cloth.
6. Dry off the device and the battery with a clean towel.

Storage

NOTE!

Risk of damage!

Improper storage of the device can result in damage.

- Allow the device to completely cool down.
 - Place the device so that it can't fall into water.
 - Store the device in a clean, dry, frost-protected place out of the reach of children.
1. Thoroughly clean the device (see "Cleaning").
 2. If possible, pack the device in the original packaging.

Transport

Carry the device by the extra handle while the device is off, with the battery removed and the blade pointing away from the body. Always attach the protective cover when not using the device and lock all latches.

When transporting the device in a vehicle, secure it so that it cannot slide around.

1. Carry the device by the handle **9**, extra handle **2** or telescopic guide rail **13** only.
2. When transporting the device in a vehicle, secure it so that it cannot slide around.
3. Use the original packaging for transport, if possible.

Troubleshooting

Problem	Possible cause	Remedy
Device is not working.	Battery is not inserted.	Insert the battery.
	The battery is flat.	Charge the battery.
Bad cutting result.	The nylon blades 5 are worn.	Exchange the nylon blades (see section "Exchanging the nylon blades").

If the problem persists, contact the customer service listed on the last page.

Spare parts

Contact after sales support if you need any of the spare parts listed below.

Name	Item number
Spare blade (50x)	08047203
Knife plate incl. fastening screws	08047204

Technical data

Technical data

Model	GDRT26
Item number	815124
Voltage	20 V ===
Cutting capacity	∅ 260 mm
Idle speed n_0	8000 min ⁻¹
Weight (without battery)	1,65 kg
Guaranteed sound power level L_{WA} :	96 dB(A)
Sound power level L_{WA} correction value K_{WA}	95,61 dB(A) 0,83 dB(A)
Sound pressure level L_{pA} : correction value K_{pA} :	83,8 dB(A) 3 dB(A)
Vibration level a_n correction value K_{pA}	1,59 m/s ² 1,5 m/s ²

Total vibration value

The stated total vibration value and the stated noise emission values have been measured according to a standardised test procedure (EN 50636-2-91:2014) and can be used to compare one power tool with another. They can also be used for a preliminary assessment of the exposure.

Warning

Vibration and noise emissions while actually using power tool may differ from the values given due to the manner in which the power tool is used and, in particular, the type of workpiece being machined.

It is necessary to establish safety measures that protect the operator based on an estimate of the vibration exposure during actual conditions of use (taking into account all parts of the operating cycle, such as periods when the power tool is switched off and periods when it is switched on but running without load).

Try to keep the exposure to vibrations and noise as low as possible. Examples of measures to reduce vibration include wearing gloves when using the tool, limiting the working time and using accessories in good condition.

Battery and charger information (not included in the scope of delivery)

Only use the device with Active Energy® batteries and chargers that meet the following technical specifications:

Suitable for Active Energy®

Batteries of the type:	20 V === 36 Wh / Li-ion
Models:	XYZ561a
Charging time:	20 V === / 36 Wh = approx. 45 min.
Batteries of the type:	20/40 V === 90 Wh / Li-ion
Models:	XYZ562a
Charging time:	20 V ===(×2)/ 90 Wh = approx. 95 min.
Chargers of the type:	21 V ===/ 4.0 A
Models:	XYZ563a

Please note the technical specifications for the battery and the charger.

EC Declaration of Conformity

We,

MEROTEC GmbH
Otto-Brenner-Str. 8, 47877 Willich, Germany

herewith declare that our product

20 V Lawn Trimmer
excluding battery and charger
Model No. GDRT26

is in conformity with the following directives:

2006/42/EC MD
2014/30/EU EMC directive
2011/65/EU*) RoHS amended by (EU) 2015/863

Applied harmonized standards:

EN 60335-1:2012+A11:2014+A13:2017+A1:2019+A14:2019+A2:2019
EN 50636-2-91:2014
EN 55014-1:2017+A11:2020
EN 55014-2:2015
EN IEC 63000:2018

Person authorised to compile the technical file:
Dirk Wohlrab
MEROTEC GmbH

Willich, 07.12.2021
Legally valid signature:


Ronald Menken
General Manager MEROTEC GmbH



This declaration of conformity is issued under the sole responsibility of the manufacturer.

*) The object of the declaration described above satisfies the provisions of directive 2011/65/EU of the European Parliament and the Council of 8 June 2011 on limiting the use of certain harmful substances in electrical and electronic appliances.

Disposal

Disposing of packaging



Dispose of packaging according to type. Sort the paperboard and cardboard as waste paper and the film as recyclable material.

Dispose of old electrical device



This symbol indicates that this product may not be disposed of together with domestic waste in compliance with the (2012/19/EU) Regulation pertaining to waste electrical and electronic devices (WEEE). This product must be handed in at a collection point intended for the purpose. This can occur, for example, by handing it in at an authorised collecting point for the recycling of waste electrical and electronic equipment. Owing to potentially hazardous substances that are frequently contained in waste electronic equipment, incorrect handling of waste equipment may have a negative impact on the environment and on the health of human beings. By disposing of this product correctly, you are also contributing towards an efficient use of natural resources. Information on collecting points for waste equipment can be obtained from your local authority, an authorised institution for the disposal of waste electrical and electronic equipment or the waste collection services.



Batteries and rechargeable batteries must not be discarded with domestic waste!

As a consumer, you should dispose of all batteries etc., irrespective of whether they contain harmful substances* or not, at a collection point in your community/district or at a retail outlet, so that they can be disposed of in an environmentally friendly manner. Batteries and rechargeable batteries must be disposed of separately from the device.

* marked with: Cd = Cadmium, Hg = Mercury, Pb = Lead, Li = Lithium