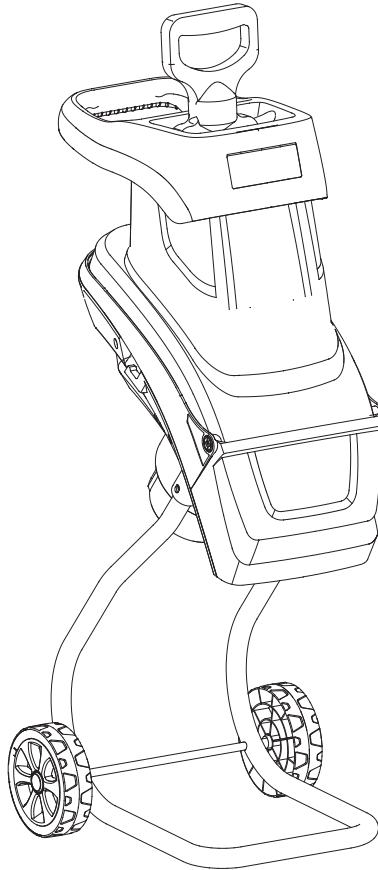




Original User's Instructions

# 2500W Electric Cutting Shredder

SKU: 90496



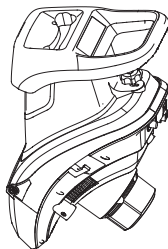
**READ BEFORE USE**

**PLEASE KEEP THESE INSTRUCTIONS FOR FURTHER REFERENCE**

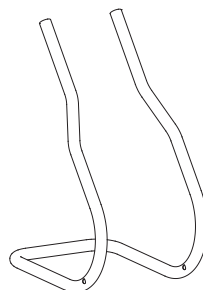
## CONTENT

• WHAT'S IN THE BOX -----	3
• TOOLS REQUIRED -----	4
• SPECIFICATIONS -----	4
• EXPLANATIONS AND SYMBOLS, CAUTIONS AND WARNINGS -----	5
• IMPORTANT SAFETY WARNINGS -----	6
• PRODUCT DESCRIPTION AND IDENTIFICATIONS -----	15
• ASSEMBLY AND OPERATING INSTRUCTIONS -----	16
• CARE AND CLEANING -----	23
• TROUBLE SHOOTING -----	24
• DECLARATION OF CONFORMITY / PERFORMANCE -----	25
• ENVIRONMENTAL INFORMATION -----	26
• GUARANTEE -----	27
• CUSTOMER SUPPORT -----	27

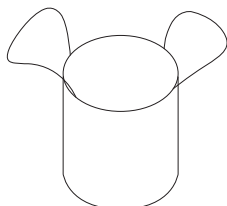
## WHAT'S IN THE BOX



Shredder housing



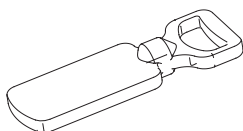
Stand



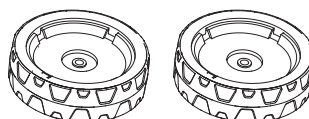
Collection bag



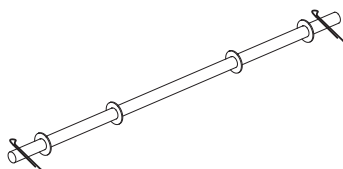
Wheel Caps x 2



Plunger



Wheels x 2



Axle

(includes 4 x washers and 2 x split pins)



Screws x 2



Hex key M6

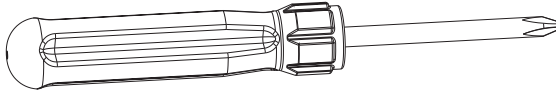
**If you do not have all these items, please contact:**

**[www.coreservice.co.uk](http://www.coreservice.co.uk)**

**Hotline: +44 01904 947568**

**Email [support@coreservice.co.uk](mailto:support@coreservice.co.uk)**

## TOOLS REQUIRED



## SPECIFICATION

Technical Data	
Model	SDEG09-2500
Rated voltage (V)	230-240V~ 50Hz
Rated power (W)	2500 (P40)
No-load speed (min <sup>-1</sup> )	4500
Max. cutting dia. (mm)	Ø45
Measured sound pressure level dB(A)	97.9 (K=3)
Measured sound power level dB(A)	113.5 (K=3)
Cable	PVC, 2x1.0mm <sup>2</sup> , 2 meters, BS plug
IP rating	IPX4
Net weight (kg) approx.	8.9

**Note:** The above specifications are the **MAXIMUM** capacities of the tool. The maximum branch diameter depends on the hardness of the wood and its branches scale.

## EXPLANATIONS AND SYMBOLS, CAUTIONS AND WARNINGS



Please read this user manual carefully and keep it for further reference.



Warning of accident and injury to persons and serious damage to property.



Wear safety glasses and hearing protection for protection of your eyes and ears.



Wear protective gloves for protection of your hands.



Do not use the appliance in wet or humid conditions for protection of electric shock.



Warning! Switch off and remove the plug from mains before adjusting, cleaning or if the cord is damaged.



Take care that no metal parts, stones, bottles, cans or other debris are included when introducing material into the appliance.



Warning! Read the instruction manual, prior to use and familiaris yourself with the controls and proper use of the appliance.



Danger! Rotating blades. Keep hands and feet out of openings while machine is running. Do not reach into the intake opening or the discharge chute. The blades will continue to rotate for approx. 5 seconds after the appliance has been switched off.



Keep bystanders away.



Guaranteed sound power level.



Double insulation. Protection class II



The product complies with the applicable European Directives and an evaluation method of conformity for these Directives was done.



UK Conformity Assessed



This marking indicates that this product should not be disposed with other household wastes. To prevent possible harm to the environment or human health from uncontrolled waste disposal, recycle it responsibly to promote the sustainable reuse of material resources.



Blades continue to rotate after machine is switched off.

## IMPORTANT SAFETY WARNINGS

### General Safety Instructions



**Warning: Please read the following instructions carefully, failure to do so could lead to serious personal injury. When using the electric cutting shredder, basic safety precautions, including the following, should always be followed to reduce the risk of fire, electric shock and personal injury. Read all these instructions before operating this product and save these instructions.**

**Become familiar with the owner's manual before attempting to operate this machine.**

- This appliance is not intended for use by persons (including children) with reduced physical, sensory or mental capabilities, or lack of experience and knowledge, unless they have been given supervision or instruction concerning use of the appliance by a person responsible for their safety.
- Children should be supervised to ensure that they do not play with the appliance.
- Follow the checklist below, before attempting to use the machine.
  - The sheathing of the flex in the plug or socket is securely gripped under the cord grip.
  - There is no damage to the sheath of the extension lead.
  - The cable is not trapped under the wheel or support feet to avoid damage or accidental tripping.
  - The lead is fully unwound from the reel to avoid overheating.

- Note: The electrical AC mains supply may experience voltage drops when starting this equipment. This can influence other equipment (e.g. blinking of a lights). If the AC mains supply impedance  $Z_{max}$  is less than 0.40 Ohm at 50Hz, such disturbances are not expected. If necessary, you may contact your local supply authority for further information.
- Use outdoor extension leads: When this tool is used outdoors, use only extension cords intended for outdoor use.
- Keep work area clean: Cluttered and untidy areas invite injuries.
- Consider work area environment
  - Do not expose this shredder to rain.
  - Do not use power tools in damp or wet conditions.
  - Keep work areas well lit.
  - Do not use power tools where there is a risk of causing fire or explosion.
- Guard against electric shock: Avoid body contact with earthed or grounded surfaces, e.g. pipes, cables etc.
- Keep children and pets away from the work area: Do not let visitors touch the tool or extension cord. All visitors should be kept away from the work area.
- Store idle tool: When not in use, tools should be stored in a dry, high or locked up place, out of reach of children.
- Use the right tool: Do not force this shredder or attachments to do the job of a heavy-duty tool. Do not use this tool for a purpose for which it is not intended.
- Dress properly: Do not wear loose clothing or jewelry, they can be caught in moving parts. Gloves and non-slip footwear are recommended when working outdoors. Wear protective hair covering to contain long hair.
- Use protective equipment: Use safety glasses, face or dust mask if the cutting operation is dirty. When using for extended periods, or when the noise level is high, use hearing protection.



- Do not force the tool: It will do the job better and safer at the rate for which it was intended.
- Arrange cord: Ensure the cord is arranged so that it cannot be tripped over, stepped on or have heavy weights rested on it and make sure that the cord will not be subjected to any damage.
- Do not abuse the cable: Never carry the tool by the cord or pull it to disconnect it from the socket. Keep the cord away from heat, oil and sharp edges.
- Do not over reach: Keep proper footing and balance at all times.
- Maintaining your tool: Keep cutting blade sharp and clean for better performance. Follow instructions for lubrication and changing accessories. Inspect tool cable periodically and if damaged have it repaired by an authorized service facility. Inspect extension cable periodically and replace if damaged. Keep handles dry, clean and free from oil and grease.
- Check damaged parts: Before further use of the tool, a guard or other part that is damaged should be carefully checked to determine that it would operate properly and perform its intended function. Check for alignment of moving parts, free running of moving parts, damage to parts, mounting and any other conditions that may affect its operation. A guard or other part that is damaged should be properly repaired or replaced by an authorized service center unless otherwise indicated in this instruction manual. Have defective switches replaced by an authorized service facility. Do not use the tool if the switch does not turn it on and off.
- Disconnect tools: When not in use, before servicing and when changing accessories such as blades and cutters, always ensure the machine is disconnected from the mains supply.
- Removing keys and wrenches: Form the habit of checking to see that keys and adjusting wrenches are removed from the tool before turning it on.

- Avoid unintentional starting: Do not move a plugged-in tool with a finger on the switch. Ensure the switch is off when plugging in.
- Stay alert: Watch what you are doing. Use common sense. Do not operate tool when you are tired.
- Warning! The use of any accessory or attachment, other than those recommended in this instruction manual, may present a risk of personal injury.
- Have your tool repaired by a qualified person: This electric tool is in accordance with the relevant safety requirements. Repairs should only be carried out by qualified persons using original spare parts, otherwise this may result in considerable danger to the user. Do not attempt to open the casing of the tool. The power supply cord of the tool should be replaced by an authorized service agent.

### **Additional safety advice**

- The supply voltage must correspond to the voltage specified on the nameplate.
- It is recommended that the shredder should be used with a Residual Current Device (R.C.D.) with a tripping current of no more than 30mA.
- Only use extension cables no lighter than rubber-insulated flexible cord (H07RN-F). Preferably use brightly colored extension leads that are clearly visible.
- Watch what you are doing. Use common sense.
- Take care when the blades are in operation.
- Do not abuse the cable. Never move the shredder by the cable or pull the cable to disconnect it from the socket. Keep the cable away from heat, oil, and sharp edges. Ensure that the cable is arranged so that it cannot be tripped over, stepped on or have heavy weights rested on it. Make sure the cable will not be subjected to any damage.

- Do not attempt to open the casing of the machine. Do not attempt to modify the machine in any way.
- The supply cord should only be replaced by an authorized service agent.
- Not to use the shredder, if the cords are damaged or worn.
- Not to connect a damaged cord to the mains supply or touch a damaged cord before it is disconnected from the mains supply. A damaged cord can lead to contact with live parts.
- Not to touch the shredding means before the machine is disconnected from the mains supply and the shredding means have come to a complete stop.
- To keep extension cords away from the shredding means. The shredding means can cause damage to the cords and lead to contact with live parts.
- Pull the plug from the socket:
  - Whenever the machine is left unattended.
  - Before cleaning a blockage.
  - Before checking, cleaning or working on the appliance.
  - After striking a foreign object, inspect the appliance for damage and make repairs as necessary.
  - Whenever the machine starts vibrating abnormally.

## **Cutting Shredder Warnings and Safety Instructions**

### **Preparation**

- Do not allow children to operate this equipment.
- Do not operate this equipment in the vicinity of bystanders.
- Do not connect a damaged cord to the mains supply or touch a damaged cord before it is disconnected from mains supply. A damaged cord can lead to be contacted with live parts.
- Wear ear protection and safety glasses at all times while operating the machine.

- Avoid wearing clothing that is loose fitting or that has hanging cords or ties.
- Only operate the machine in open space (e.g. not close to a wall or other fixed object) and on a firm, level surface.
- Do not operate the machine on a paved or gravel surface where ejected material could cause injury.
- Before starting the machine, check that all screws, nuts, bolts, and other fasteners are properly secured and that guards and screens are in place. Replace damaged or unreadable labels.

## **Operation**

- Before starting the machine, look into the feeding funnel chamber to make certain that it is empty.
- Keep your face and body away from the feed intake opening.
- Do not allow hands or any other part of the body or clothing inside the feeding chamber, discharge chute, or near any moving part.
- Keep proper balance and footing at all times. Do not overreach. Never stand at a higher level than the base of the machine when feeding material into it.
- Always stand clear of the discharge zone when operating this machine.
- When feeding material into the machine be extremely careful that pieces of metal, rocks, bottles, cans or other foreign objects are not included.
- If the cutting mechanism strikes any foreign objects or if the machine should start making any unusual noise or vibration, shut off the power source and allow the machine to stop. Disconnect from mains supply and take the following steps:
  - Inspect for damage.
  - Check for and tighten any loose parts.

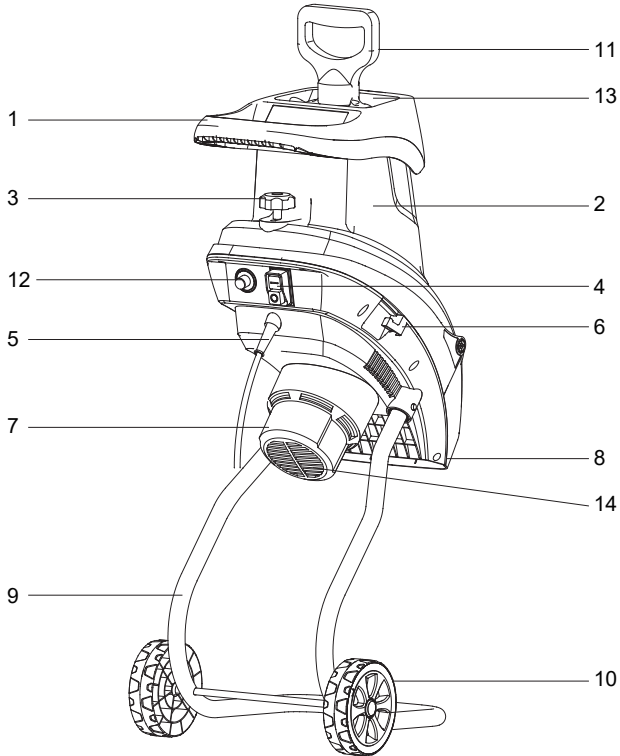
- Have any damaged parts replaced or repaired with parts having equivalent specifications.
- Do not allow processed material to build up in the discharge zone; this may prevent proper discharge and can result in kickback of material through the feed intake opening.
- If the machine becomes clogged, shut-off the power source and disconnect from mains supply before clearing debris. Keep the power source clear of debris and other accumulations to prevent damage to the powered source or possible fire. Remember that operating the starting mechanism on engine powered machines will still cause the cutting means to move.
- Keep all guards and deflectors in place and in good working condition.
- Do not transport this machine while the power source is running;
- Shut off the power source and disconnect from mains supply whenever you leave the work area.
- Do not tilt the machine while the power source is running.
- To keep extension cords away from the shredding means. The shredding means can cause damage to the cords and lead to contact with live parts.

### **Maintenance and storage**

- When the machine is stopped for servicing, inspection, or storage, or to change an accessory, shut off the power source, disconnect from mains supply, make sure that all moving parts have come to a complete stop and, where a key is fitted remove the key. Allow the machine to cool before making any inspections, adjustments, etc.
- Always allow the machine to cool before storing.

- When servicing the cutting means be aware that, even though the power source will not start due to the interlock feature of the guard, the cutting means can still be moved by a manual starting mechanism.
- Keep the motor cooling vents clean of debris and other accumulations to prevent damage to the motor or possible fire.
- If an extension cord is used it shall not be of lighter grade than the supply cord already fitted to the appliance.
- Check the supply and any extension cord regularly for damage or signs of ageing. Do not use the appliance, if the cords are damaged.
- Never attempt to override the interlock feature of the hopper assembly.

## PRODUCT DESCRIPTION AND IDENTIFICATIONS



1. Transport handle
2. Hopper
3. Locking knob
4. On/Off switch
5. Power cord
6. Debris bag hook
7. Motor housing

8. Discharge chute
9. Stand
10. Wheel
11. Plunger
12. Circuit breaker
13. Feeding funnel
14. Ventilation slot

**Not all the accessories illustrated or described are included in standard delivery.**

## ASSEMBLY AND OPERATING INSTRUCTIONS



**Caution! Before starting the appliance, check the protective devices and fastening elements for damage.**

### **Do not use the appliance if it is damaged.**

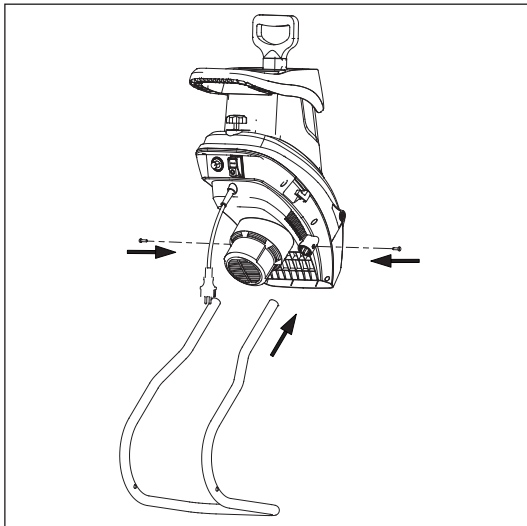
1. Inspect the material to be shredded before starting. Remove any objects that are not suitable for shredding or could entangle the blades [metal parts, stones, bottles, cans, etc].
2. Place the appliance on a firm level ground and do not move it during operation. Make sure the locking knob (3) is securely tightened.
3. Use the on/off switch (4) to switch the appliance on and wait until the motor has reached full speed.
4. Insert the shredding material into the hooper (2), but do not overload the shredder.
5. Make sure the shredded material can move down freely from the discharge chute (8).
6. Use the plunger (11) to push smaller material down to the blades.
7. Regularly clean your shredder from shredded material.

### **How do I assemble this product?**

Your shredder is supplied fully assembled with the exception of the stand (9).

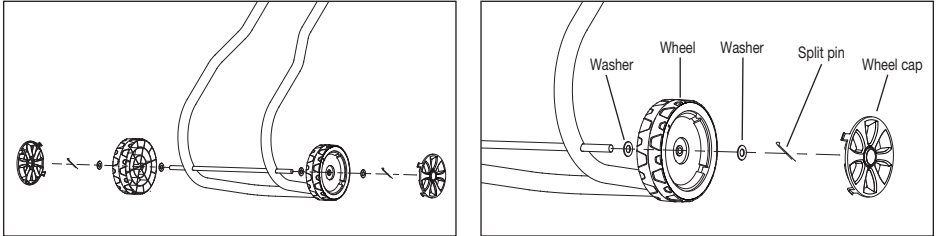
Please follow assembly instructions as below:

1. Open the packaging and remove the machine from package.
2. Insert the stand (9) to the motor housing, align the holes on the housing and stand (9), and fix with the 2 assembly screws using suitable screw driver.

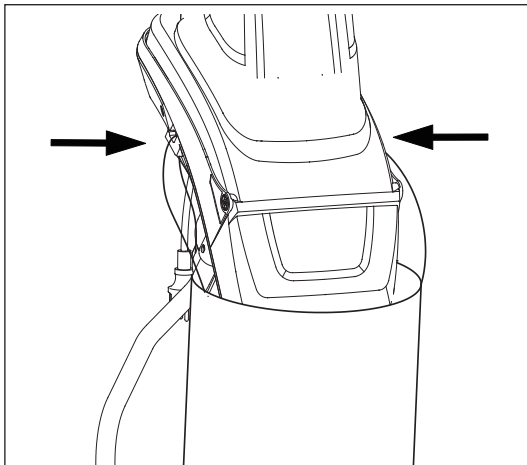




3. Remove the washers and split pins from the axle and fix the wheels as shown in the diagram below.



4. Hang the debris bag onto the debris bag hook as shown below.



## How do I use this product?

**Before using the machine, read the instructions thoroughly and acquaint yourself with the features of the machine.**

**Before inspecting or servicing any part of the machine, switch off, pull the plug from the mains and make sure that all moving parts have come to a complete stop.**

1. Inspect the material to be shredded before starting. Remove any objects or debris that could be thrown, jammed or become entangled in the blades. Remove any soil from root balls. Foreign bodies like stones, glass, metals, fabrics, or plastics must not enter the in-feed chute, these could damage the blades.
2. Always place the machine on firm level ground. During operation, do not tilt or move.
3. Allow the cutting blades to reach full speed before feeding the material into the feeding funnel.

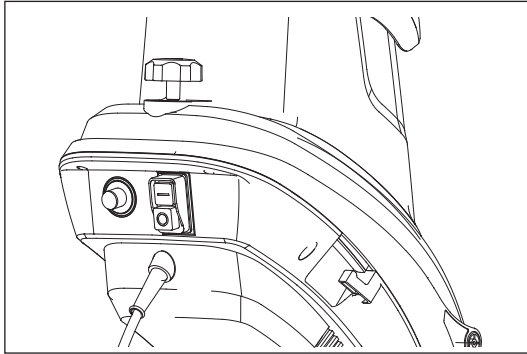
4. Use the machine to shred the following materials only:  
Owing to the different shapes of branches, it is recommended to shred branches up to 40mm in diameter.
  - Waste from pruning bushes
  - Waste from trimming hedges
  - Plant material and other garden waste
  - Leaves and plant roots (remove soil from roots before shredding)
5. Do not put soft waste such as kitchen rubbish into the shredder.
6. Feed the material to be shredded into the corner of the hopper, if it is not too bulky, the material will be drawn in by the blades.
7. Only insert as much material so that the hopper does not become blocked.



**Warning:** Long material extending out from the machine could whip when being drawn in by the blades, therefore please keep a safe distance from the shredder.

8. Ensure the shredded material can fall freely from the discharge chute.
9. To make finer chippings the shredded material can be shredded for a second time.
10. Do not allow the shredded material to build up to a level where it blocks the discharge chute. If the material builds up too far it could reach the cutting blades and be thrown out of the hopper.
11. Organic material contains a large amount of water and sap that can stick to the shredder. To avoid this the material should be left for a few days to dry out.
12. If during cutting the blade stalls, stop the shredder immediately and disconnect it from the mains supply before investigating the cause.
13. Remove any jammed debris from the blades and examine them for any damage before re-commencing shredding.
14. If the blade has stalled for more than 5 seconds the safety overload switch will automatically switch the machine off. Allow the machine to cool down for at least 1 minute before re-starting. Push the overload switch first and then push on the On/Off switch to re-start the machine.
15. If the cutting mechanism strikes any foreign object or if the shredder starts to make any unusual noise or vibration, immediately switch off and allow the cutting blades to stop. Pull the plug from the mains supply and take the following steps:
  - i) Inspect for damage.
  - ii) Replace or repair any damaged parts.
  - iii) Check for and tighten any loose parts.
16. If the shredder becomes clogged, switch off and allow the cutting means to stop. Pull the plug from the mains supply before cleaning debris.
17. Keep the motor cooling vents clear of debris and other accumulations to prevent damage to the motor or possible fire.
18. Switch off, allow the cutting blades to stop and pull the plug from the mains supply whenever you leave the work area.
19. Do not allow processed material to build up in the discharge zone; this may prevent proper discharge and can result in kickback of material through the feed intake opening.

## Starting and Stopping the shredder



- Press the switch marked “-” to start and marked “0” to stop the motor.
- Press the “circuit breaker” button if the machine does not work, ensure you have connected to the power supply.
- When the motor has been running for a few seconds you can commence shredding.

The circuit breaker will be activated in the following circumstances:

- a. A build up of shredded material around the cutting blades.
- b. If the material being shredded is greater then the cutting capacity.
- c. Where there is too much resistance against the cutting blade.

When the circuit breaker has been activated switch-off the shredder and disconnect the power supply.

- a. Unscrew the locking knob at the base and open hopper
- b. Remove the debris or obstruction from the cutting area
- c. Put the hopper back and tighten the locking knob.
- d. Leave motor a few minutes to cool down
- e. Reconnect to the power supply and press the circuit breaker button.
- f. When ready to start shredding press the “-” switch.



**Warning: NEVER slacken off the tightening knob without having turned off the On/Off switch and pulled the plug out of the socket.**

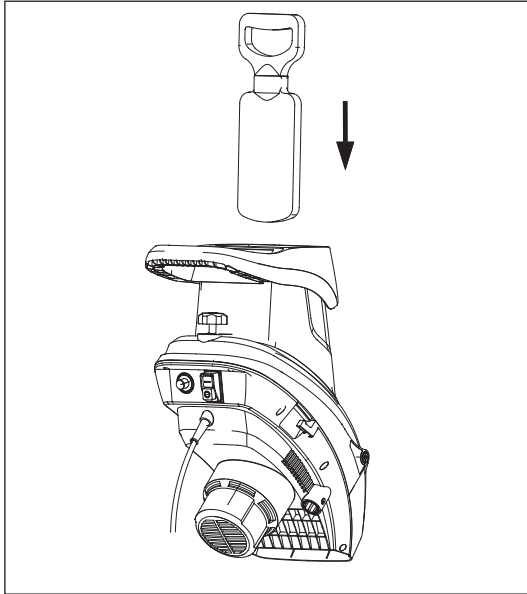


**Warning: The shredder will stop within 5 seconds after switching off.**

## Using the Plunger

A plunger is provided to aid feeding less bulky material such as small twigs, leaves and other garden waste into the feed funnel.

1. Load the material into the feed funnel.
2. Insert the plunger into the feed funnel pushing the material onto the blade disc.
3. Wait until all the material has been shredded before adding more material.



**NOTE:** Your fingers must never enter the feed funnel.

**NOTE:** Never use the tool if the hopper is not fitted.

**NOTE:** Do not over reach.

## How do I collect the shredded material?

Shut-off the power unit before attaching or removing the bag.

You can use either the collection bag supplied or place the shredder on a tarpaulin sheet to catch the shredded material.

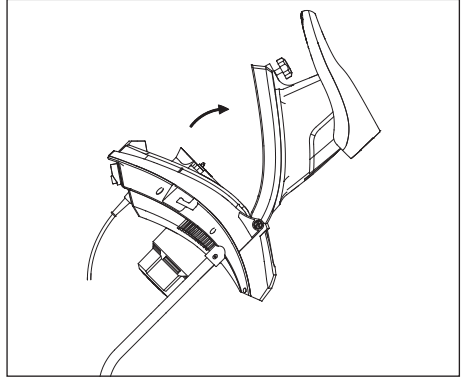
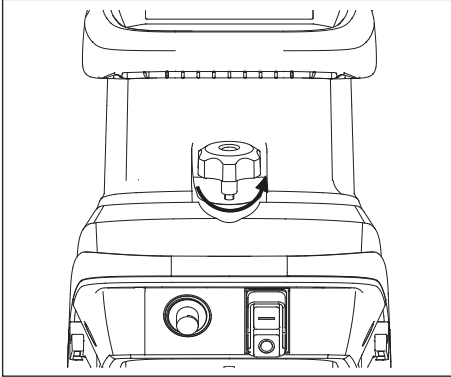
**When using the collection bag, you need to fit the collection bag hooks onto the sides of the discharge chute.**



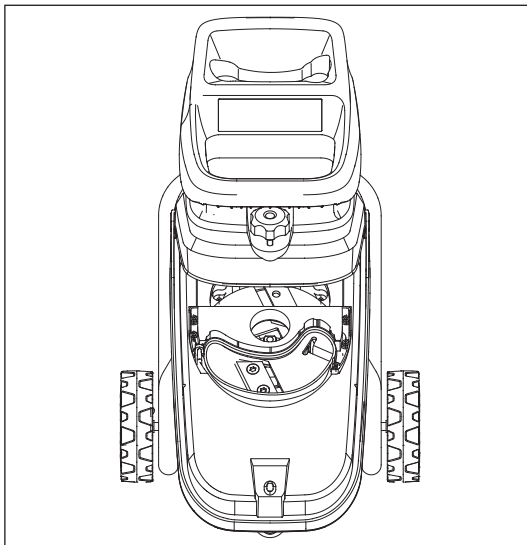
**Warning:** The ventilation slots on the machine body must never be covered by the collection bag or shredded material.

## How do I replace the blades?

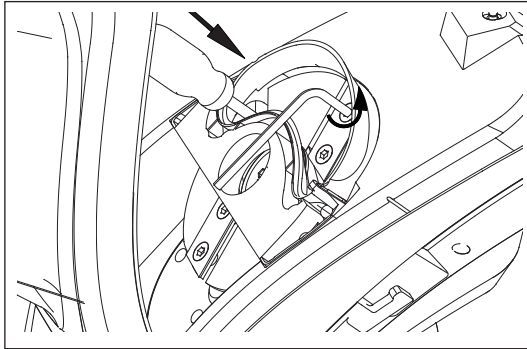
1. Ensure that the shredder is switched off and disconnected from the mains supply.
2. Remove the top feed assembly by unscrewing the locking knob(3) securing it to the body of the machine.



3. The blades have two cutting edges. When the blades become worn they can be reversed to use the second cutting edge.
4. It is recommended that work gloves be used when replacing the blades.



5. Lock the blade disc using hex spanner. Unscrew the two inner hexagonal headed screws and note the position of the cutting angle of the blade.
6. Remove the blade and rotate it through 180 degrees and fit the blade to the blade disc ensuring that the ground cutting edge is facing downwards.
7. Repeat this for the other blade.



When both cutting edges of the blade become worn they must be replaced as a pair. The blades can be re-sharpened, but this must be done by an experienced person using an oil stone. We do not recommend this be done as the weight of each blade is critical to maintain the balance of the cutting disc. Any imbalance could cause damage to the machine and possible injury to the operator.

## CARE AND CLEANING

### How do I maintain this product?



**Warning: During maintenance and cleaning ensure the machine is disconnected from the mains.**

1. When the appliance is stopped for servicing, inspection, or storage, or to change an accessory, switch off and pull the plug from the mains supply before making any inspections, adjustments, etc.
2. If an extension cord is used it shall not be of lighter grade than the supply cord already fitted to the appliance.
3. Check the supply and any extension cord regularly for damage or signs of ageing. Do not use the appliance, if the cords are damaged.
4. When servicing the cutting means be aware that, even though the motor will not start due to the interlock feature of the hopper assembly, the cutting means can still be moved if the motor is turned by hand.
5. Never attempt to override the interlock feature of the hopper assembly.
6. Remove deposited matter from the machine using a brush.
7. Always clean the machine after use. Clean the plastic body and plastic parts using soap and a moist cloth. Do not use aggressive agents or solvents for cleaning.
8. Never clean the shredder with a jet of water or by rinsing. Make sure that no water is allowed to enter into the shredder.
9. Use only the recommended accessories and attachment for this shredder.

#### List of consumable parts

Plunger AAAJ021029

Blade AAAJ021037

## TROUBLE SHOOTING

Use this section to help you to try and solve any problems you may have:

Problem	Cause	Solutions
The motor does not run	The shredder may have been overloaded.	Wait 1-5 minutes and allow the motor to cool down. Move the on/off switch to the ON “—” position to restart the shredder.
	The closure between the shredder housing and motor housing has not been closed correctly.	The safety interlock will not allow power to the shredder. Open the housing and ensure the contact surfaces are clean. Refit and tighten the locking knob in a clockwise direction.
	Power failure.	Check the power supply/cord and house fuse.
The material to be shredded is not pulling through the unit	The hopper plate is blocked.	Disconnect all power and unscrew the locking knob. Carefully clean all debris and free organic matter from the discharge area. Lower the housing and tighten the locking knob to ensure it is secure.
	The blades are blunt and need to be changed.	Reverse or replace the blades.
The motor is cutting out on overload	The blades are blunt and need to be changed.	Reverse or replace the blades.
Smoke is coming out of the hopper	The cutter assembly is clogged.	Open the shredder and clean out the hopper.

**NOTE: IF YOU EXPERIENCE A PROBLEM WITH YOUR TOOL, PLEASE DO NOT ATTEMPT TO OPEN OR REPAIR THE TOOL YOURSELF. DOING SO MAY VOID THE WARRANTY AND COULD CAUSE DAMAGE OR PERSONAL INJURY. IF THE PROBLEM STILL PERSISTS, PLEASE CONTACT US BY REFERRING TO THE SERVICE & SUPPORT INFORMATION ON THE FOLLOWING PAGE.**



## DECLARATION OF CONFORMITY / PERFORMANCE



**Product Code 90496 (SDEG09-2500W)**

**Product Description 2500W Electric Cutting Shredder**

1. Toolstation Limited, Express Park, Bristol Road, Bridgwater, Somerset TA6 4RN

This declaration of conformity is issued under the sole responsibility of Toolstation

2. Object of the declaration

The object of the declaration described above is in conformity with the relevant Community harmonization legislation:

Supply of Machinery (Safety) Regulations 2008

2006/42/EC

Electromagnetic Compatibility Regulations 2016

2014/30/EU

The Restriction of the Use of Certain Hazardous Substances in Electrical and Electronic Equipment Regulations 2012

2011/65/EU&(EU)2015/863

3. References to the relevant standards used or references to the specifications in relation to which conformity is declared:

BS EN 60335-1

BS EN 50434

BS EN 55014-1

BS EN 55014-2

BS EN 61000-3-2

BS EN 61000-3-3

4. Additional information:

Signed for and on behalf of Toolstation Limited

## ENVIRONMENTAL INFORMATION



The symbol on the product or its packaging indicates that this product must not be disposed of with your other household waste. Instead, it is your responsibility to dispose of your waste equipment by handing it over to a designated collection point for the recycling of waste electrical and electronic equipment. The separate collection and recycling of your waste equipment at the time of disposal will help conserve natural resources and ensure that it is recycled in a manner that protects human health and the environment. For more information about where you can drop off your waste for recycling, please contact your local authority, or where you purchased your product.

## GUARANTEE

Toolstation products deliver reliable service for normal, household use in domestic settings. All Toolstation products are individually tested before leaving the factory.

If you are a consumer and you experience a problem with your Toolstation product, which is found to be defective due to faulty materials or workmanship within the Guarantee Period, this Toolstation Guarantee will cover repair or - at the discretion of Toolstation - replacement with a functionally equivalent Toolstation product.

Your product is under guarantee for 2 years from the date of purchase or the date of delivery of the product, if later.

The guarantee is subject to the following provisions:

- The guarantee does not cover accidental damage, misuse, cabinet parts, knobs, or consumable items.
- The product must be correctly installed and operated in accordance with the instructions contained in this manual.
- It must be used solely for domestic purpose.
- The guarantee will be rendered invalid if the product is re-sold or has been damaged by inexpert repair.
- Specifications are subject to change without notice.
- The manufacturer disclaims any liability for the incidental or consequential damages.
- The guarantee is in addition to, and does not diminish your statutory or legal rights.

## CUSTOMER SUPPORT

[www.coreservice.co.uk](http://www.coreservice.co.uk)

Call us +44 01904 947568

Email: [support@coreservice.co.uk](mailto:support@coreservice.co.uk)

Made in China