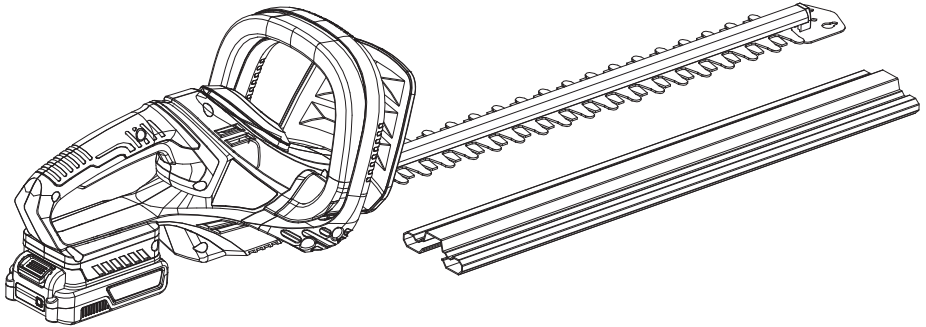




Original User's Instructions

# 18V 51cm Cordless Hedge Trimmer

SKU: 78886



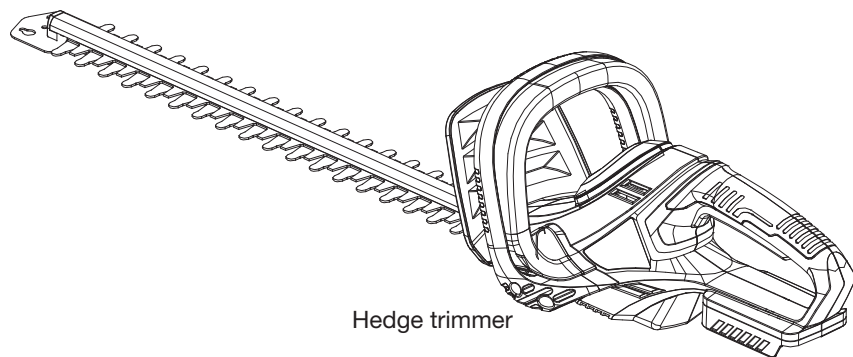
**READ BEFORE USE**

**PLEASE KEEP THESE INSTRUCTIONS FOR FURTHER REFERENCE**

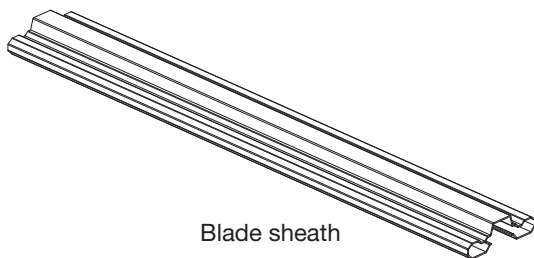
## CONTENT

• WHAT'S IN THE BOX -----	3
• SPECIFICATIONS -----	4
• EXPLANATIONS AND SYMBOLS, CAUTIONS AND WARNINGS -----	5
• IMPORTANT SAFETY WARNINGS -----	7
• PRODUCT DESCRIPTION AND IDENTIFICATIONS -----	17
• ASSEMBLY AND OPERATING INSTRUCTIONS -----	18
• CARE AND CLEANING -----	23
• TROUBLE SHOOTING -----	24
• DECLARATION OF CONFORMITY / PERFORMANCE -----	25
• ENVIRONMENTAL INFORMATION -----	26
• GUARANTEE -----	27
• CUSTOMER SUPPORT -----	27

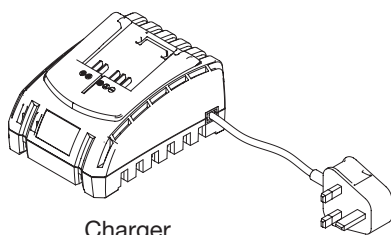
## WHAT'S IN THE BOX



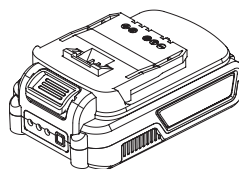
Hedge trimmer



Blade sheath



Charger



Battery

If you do not have all these items, please contact:

[www.coreservice.co.uk](http://www.coreservice.co.uk)

Hotline: +44 01904 947568

Email [support@coreservice.co.uk](mailto:support@coreservice.co.uk)

## SPECIFICATION

- Dual action cutting blades provide less vibration for fast clean cuts
- Dual safety switch
- Rubber overmould rear handle
- Ergonomic grip handle design

Technical Data	
Model	ET-1905-510-2
Nominal voltage of product with battery	18V d.c.
No-load cutting speed	1300 /min
Tooth gap	16mm
Cutting length	51cm
Machine Weight Approx.	2.1 kg
Measured sound power level	85.18 dB(A), K=3.0 dB(A)
Guaranteed sound power level	94 dB(A)
Vibrations	1.537m/S <sup>2</sup> , K=1.5m/S <sup>2</sup>
Battery pack Model	B0P-SP07-18ZM
Battery capacity	2.0Ah
Battery charging time	100mins
Battery charger Model	B0Q-SP06-20ZB
Battery charger input	220-240V AC, 50/60Hz 65W
Battery charger output	20V d.c. 2.4A
Protection class of charger	II/Double insulation

**Note: The above specifications are the MAXIMUM capacities of the tool. Voltage measured without workload. Initial battery voltage reaches 20 Volts. Nominal voltage is 18 Volts.**

## EXPLANATIONS AND SYMBOLS, CAUTIONS AND WARNINGS



To reduce the risk of injury, user must read instruction manual



Warning!



Wear eye protection



Wear ear protection



Wear dust mask



Do not expose to rain



Batteries may enter water cycle if disposed improperly, which can be hazardous for ecosystem. Do not dispose of waste batteries as unsorted municipal waste.



Do not burn



Li-Ion battery This product has been marked with a symbol relating to 'separate collection' for all battery packs and battery pack. It will then be recycled or dismantled in order to reduce the impact on the environment. Battery packs can be hazardous for the environment and for human health since they contain hazardous substances.



Keep hands away from blade



Waste electrical products must not be disposed of with household waste. Please recycle where facilities exist. Check with your local authorities or retailer for recycling advice.

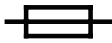


Double insulation



Indoor use only

T3.15A



Fuse



The product complies with the applicable European directives and an evaluation method of conformity for these directives was done.



UK conformity assessed

## IMPORTANT SAFETY WARNINGS

### General Power Tool Safety Warnings



**Warning:** Please read the following instructions carefully, failure to do so could lead to serious personal injury. When using the electric hedge trimmer, basic safety precautions, including the following, should always be followed to reduce the risk of fire, electric shock and personal injury. Read all these instructions before operating this product and save these instructions.

The term “power tool” in the warnings refers to your mains-operated (corded) power tool or battery-operated (cordless) power tool.

Become familiar with the owner’s manual before attempting to operate this machine.

- This machine is not intended for use by persons (including children) with reduced physical, sensory or mental capabilities, or lack of experience and knowledge, unless they have been given supervision or instruction concerning use of the appliance by a person responsible for their safety.
- Children should be supervised to ensure that they do not play with the appliance.
- The machine is only to be used with the power supply unit provided with the machine.

**Important! Read carefully before use, keep for further reference.**

## **Work Area Safety**

- Keep work area clean and well lit. Cluttered or dark areas invite accidents.
- Do not operate power tools in explosive atmospheres, such as in the presence of flammable liquids, gases or dust. Power tools create sparks which may ignite the dust or fumes.
- Keep children and bystanders away while operating a power tool. Distractions can cause you to lose control.

## **Electrical Safety**

- Power tool plugs must match the outlet. Never modify the plug in any way. Do not use any adapter plugs with earthed (grounded) power tools. Unmodified plugs and matching outlets will reduce risk of electric shock.
- Avoid body contact with earthed or grounded surfaces, such as pipes, radiators, ranges and refrigerators. There is an increased risk of electric shock if your body is earthed or grounded.
- Do not expose power tools to rain or wet conditions. Water entering a power tool will increase the risk of electric shock.
- Do not abuse the cord. Never use the cord for carrying, pulling or unplugging the power tool. Keep cord away from heat, oil, sharp edges or moving parts. Damaged or entangled cords increase the risk of electric shock.
- When operating a power tool outdoors, use an extension cord suitable for outdoor use. Use of a cord suitable for outdoor use reduces the risk of electric shock.
- If operating a power tool in a damp location is unavoidable, use a residual current device (RCD) protected supply. Use of an RCD reduces the risk of electric shock.



## Personal Safety

- Stay alert, watch what you are doing and use common sense when operating a power tool. Do not use a power tool while you are tired or under the influence of drugs, alcohol or medication. A moment of inattention while operating power tools may result in serious personal injury.
- Use personal protective equipment. Always wear eye protection. Protective equipment such as dust mask, non-skid safety shoes, hard hat, or hearing protection used for appropriate conditions will reduce personal injuries.
- Prevent unintentional starting. Ensure the switch is in the off-position before connecting to power source and/or battery pack, picking up or carrying the tool. Carrying power tools with your finger on the switch or energizing power tools that have the switch on invites accidents.
- Remove any adjusting key or wrench before turning the power tool on. A wrench or a key left attached to a rotating part of the power tool may result in personal injury.
- Do not overreach. Keep proper footing and balance at all times. This enables better control of the power tool in unexpected situations.
- Dress properly. Do not wear loose clothing or jewelry. Keep your hair and clothing away from moving parts. Loose clothes, jewelry or long hair can be caught in moving parts.
- If devices are provided for the connection of dust extraction and collection facilities, ensure these are connected and properly used. Use of dust collection can reduce dust-related hazards.
- Do not let familiarity gained from frequent use of tools allow you to become complacent and ignore tool safety principles. A careless action can cause severe injury within a fraction of a second.

## **Power Tool Use and Care**

- Do not force the power tool. Use the correct power tool for your application. The correct power tool will do the job better and safer at the rate for which it was designed.
- Do not use the power tool if the switch does not turn it on and off. Any power tool that cannot be controlled with the switch is dangerous and must be repaired.
- Disconnect the plug from the power source and/or remove the battery pack, if detachable, from the power tool before making any adjustments, changing accessories, or storing power tools. Such preventive safety measures reduce the risk of starting the power tool accidentally.
- Store idle power tools out of the reach of children and do not allow persons unfamiliar with the power tool or these instructions to operate the power tool. Power tools are dangerous in the hands of untrained users.
- Maintain power tools and accessories. Check for misalignment or binding of moving parts, breakage of parts and any other condition that may affect the power tool's operation. If damaged, have the power tool repaired before use. Many accidents are caused by poorly maintained power tools.
- Keep cutting tools sharp and clean. Properly maintained cutting tools with sharp cutting edges are less likely to bind and are easier to control.
- Use the power tool, accessories and tool bits etc. in accordance with these instructions, taking into account the working conditions and the work to be performed. Use of the power tool for operations different from those intended could result in a hazardous situation.
- Keep handles and grasping surfaces dry, clean and free from oil and grease. Slippery handles and grasping surfaces do not allow for safe handling and control of the tool in unexpected situations.

## **Service**

- Have your power tool serviced by a qualified repair person using only identical replacement parts. This will ensure that the safety of the power tool is maintained.

## **Product Safety Warnings**

### **Hedge Trimmer Safety Warnings:**

- Use the tool only with specifically designated battery packs. Use of any other battery packs will increase the risk of injury and fire.
- Only operate the product in daylight or in good artificial light.
- Do not expose tool and charger to rain or wet conditions. If a tool or charger is exposed to moisture it will increase the risk of electric shock, battery damage, fire or explosion.
- Keep all parts of the body away from the blade. Do not remove cut material or hold material to be cut when blades are moving. Blades continue to move after the switch is turned off. A moment of inattention while operating the hedge trimmer may result in serious personal injury.
- Carry the hedge trimmer by the handle with the blade stopped and taking care not to operate any power switch. Proper carrying of the hedge trimmer will decrease the risk of inadvertent starting and resultant personal injury from the blades.
- When transporting or storing the hedge trimmer, always fit the blade cover. Proper handling of the hedge trimmer will decrease the risk of personal injury from the blades.
- When clearing jammed material or servicing the unit, make sure all power switches are off and the battery pack is removed or disconnected. Unexpected actuation of the hedge trimmer while clearing jammed material or servicing may result in serious personal injury.

- Hold the hedge trimmer by insulated gripping surfaces only, because the blade may contact hidden wiring. Blades contacting a “live” wire may make exposed metal parts of the hedge trimmer “live” and could give the operator an electric shock.
- Keep all power cords and cables away from cutting area. Power cords or cables may be hidden in hedges or bushes and can be accidentally cut by the blade.
- Do not use the hedge trimmer in bad weather conditions, especially when there is a risk of lightning. This decreases the risk of being struck by lightning.
- Check the hedges and bushes for foreign objects, e.g., wire fences and hidden wiring.
- Hold the hedge trimmer properly, e.g., with both hands if two handles are provided.
- The hedge trimmer is intended to be used by the operator at ground level and not on ladders or any other unstable support.
- Before operating the hedge trimmer, the user should make sure the locking device(s) of any moving elements (e.g., the extended shaft and pivoting element), if any, are in the locked position.
- Recommendation for the use of a residual current device with a tripping current of 30 mA or less.

### **Safety Warning For Battery Pack**

- Fully charge battery pack before the first use.
- Recharge battery pack when the power output starts to slow.  
**Do not continue to use product when battery capacity level is low.**
- To prevent serious damage to the battery, charge in temperatures above 5°C or below 45°C. Longest life and best performance can be achieved when battery is charged at room temperature (20 °C ± 5 °C).

- If the battery temperature is hot after use, it must be allowed to cool before putting it into the charging station.
- If the battery pack becomes too hot during charging, disconnect and switch off immediately. Contact the service center directly.
- **Do not dismantle, open or shred cells or battery pack.**
- **Do not short-circuit a battery pack.** Do not store battery packs haphazardly in a box or drawer where they may short-circuit each other or be short-circuited by conductive materials. **When battery pack is not in use, keep it away from other metal objects, like paper clips, coins, keys, nails, screws or other small metal objects, that can make a connection from one terminal to another. Shorting the battery terminals together may cause burns or a fire.**
- Do not carry individual battery packs in your pockets or bag as they could short-circuit against other metal items.
- Do not expose battery pack to heat or fire. Avoid use or storage in direct sunlight for extended periods of time.
- Do not subject battery pack to mechanical shock.
- In the event of battery leaking, do not allow the liquid to come into contact with the skin or eyes. If contact has been made, wash the affected area with copious amounts of water and seek medical advice.
- Should a Li-ion battery catch fire, ensure to use the correct fire extinguisher to combat the fire. Do not throw or spray water on a burning Li-ion battery.
- Keep battery pack clean and dry. Wipe the battery pack terminals with a clean dry cloth if they become dirty.
- Battery pack needs to be charged before use. Always refer to this instruction and use the correct charging procedure.
- Do not maintain battery pack on charge when not in use.

- After extended periods of storage, it may be necessary to charge and discharge the battery pack several times to obtain maximum performance.
- Battery pack gives its best performance when it is operated at normal room temperature (20 °C ± 5 °C).
- When disposing of battery packs, keep battery packs of different electrochemical systems separate from each other.
- Recharge only with the charger specified by manufacturer. Do not use any charger other than that specifically provided for use with the equipment. A charger that is suitable for one type of battery pack may create a risk of fire when used with another battery pack.
- Do not use any battery pack which is not designed for use with the equipment.
- Keep battery pack out of the reach of children.
- Retain the original product literature for future reference.
- Remove the battery from the equipment when not in use.
- Dispose of properly.
- Do not mix cells of different manufacture, capacity, size or type within a device.
- Do not remove battery pack from its original packaging until required for use.

### **Safety Warning For Battery Charger**

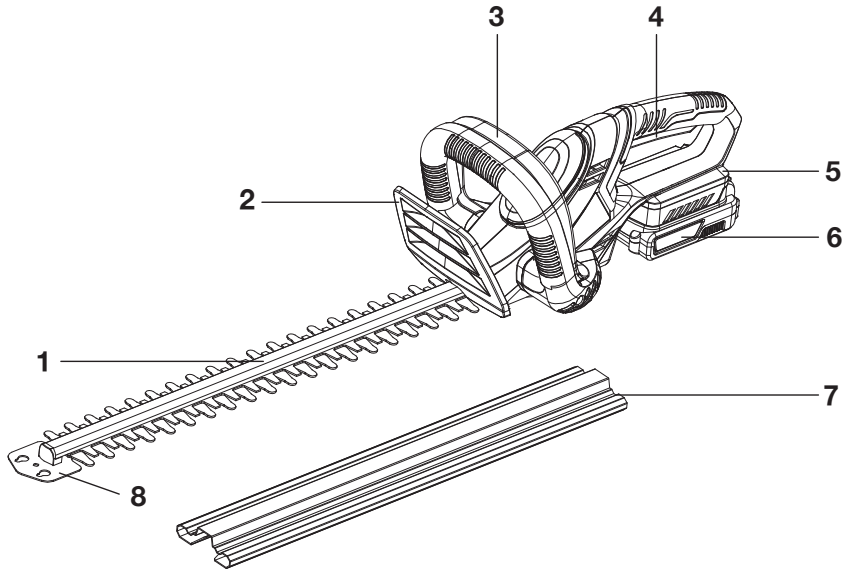
- Charge only battery pack of the same model provided by manufacturer and of models recommended by manufacturer.
- Do not use the original charger on other Li-ion batteries or on any other type of battery as this can increase the risk of fire or explosion.

- Check the battery charger, cable and plug before each use. Do not use the battery charger if damaged. Do not open the battery charger yourself, charger must be repaired by qualified personnel using original spare parts.
- The charger is designed to use a standard household 220-240 V~ 50Hz power source, ensure that the plug matches the outlet.
- Never modify the plug in any way, this will reduce the risk of electric shock.
- Do not abuse the cord of charger. Never use the cord for carrying, pulling or unplugging the charger. Keep cord away from heat, oil, sharp edges or moving parts. Damaged or entangled cords increase the risk of electric shock.
- Make sure the charger cord is situated so that it will not be stepped on, tripped over or get damaged.
- If the supply cord is damaged, it must be replaced by the manufacturer, its service agent or similarly qualified persons in order to avoid a hazard.
- Keep the battery charger clean. Contamination can increase the risk of electric shock.
- Protect the battery charger from rain and moisture. If water accesses the battery charger there is an increased risk of electric shock.
- Battery will heat up whilst charging. When charging batteries, ensure that the battery charger is in a well-ventilated area and to reduce the risk of fire, do not operate battery charger on or close to inflammable materials such as paper or textiles.
- Do not overcharge any batteries. Ensure that batteries and chargers are not left unsupervised during charging.

- The temperature range over which the battery pack can be charged is typically between 5°C-45°C. Attempts to charge out with the prescribed temperature range may automatically be blocked by the protection circuitry of the battery pack. Longest life and best performance can be obtained if the battery pack is charged at room temperature.
- Disconnect charger from the power supply when not in use. This will reduce the risk of electric shock or damage to the charger.
- This charger can be used by children aged from 8 years and above and persons with reduced physical, sensory or mental capabilities or lack of experience and knowledge if they have been given supervision or instruction concerning use of the appliance in a safe way and understand the hazards involved.
- Children shall not play with the appliance. Cleaning and user maintenance shall not be made by children without supervision.



## PRODUCT DESCRIPTION AND IDENTIFICATIONS



1. Blade
2. Safety guard
3. Front handle with safety switch
4. On/off switch
5. Battery pack release button
6. Battery pack
7. Blade sheath
8. Blade hook

**Not all the accessories illustrated or described are included in standard delivery.**

## ASSEMBLY AND OPERATING INSTRUCTIONS



To reduce the risk of injury, user must read instruction manual

### Intended Use

The machine is intended for cutting and trimming hedges and bushes in domestic use.

### NOTE:

- a) Do not use any charger other than that specifically provided for use with the equipment.
- b) If the battery pack is very hot you must remove your battery pack from the charger and allow time for the battery to cool down before recharging.
- c) The battery in your new tool is not charged when it leaves the plant. Therefore it must be fully charged before using the first time
- d) Please charge the battery to reach full or no less than half charge before storage. If the tool will not be used for long periods of time, charge the battery every 3-6 months.

## BEFORE OPERATION



**WARNING: The charger and battery pack are specially designed to work together so do not attempt to use any other devices. Never insert or allow metallic objects into your charger or battery pack connections otherwise an electrical failure and hazard will occur.**

**NOTE:** The battery pack comes partly charged. Charge the battery pack prior to first use, ideally at least 60 minutes.

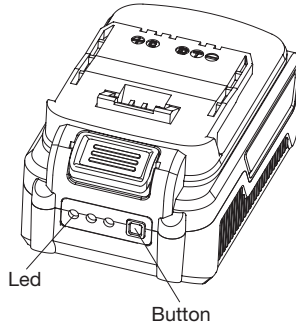
- Always pull out the plug of the charger from the mains before removing or connecting the battery pack to the charger.
- Never charge the battery pack when the ambient temperature is below 5°C or above 45°C.
- Never recharge a battery pack again immediately after rapid charging. This could overcharge the battery pack, thus reducing the lifespan of the battery pack and charger.
- Rest the charger for at least 15 minutes between continuously charging sessions.

### Checking battery capacity

Press the battery capacity level button to check the charging level of the battery pack. The status/remaining capacity will be shown on the battery charging level indication light.

3 Green LED on	Battery pack fully charged
2 Green LED on	Battery pack 65% charged
1 Green LED on	Battery pack 35% charged
No LED lit	Battery is dead and needs to be charged

Charge the battery pack before operating when it is at medium or low battery charging level.

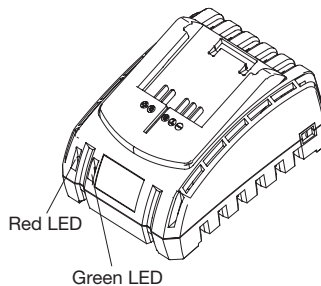


### Charging procedure

- 1) Slide the battery pack into the charger base to make connections.
- 2) Connect the battery charger to the power supply. The indicator light will be red to show that the charging has started.
- 3) When charging is completed, the light will turn to green. The pack is now fully charged, unplug the charger and remove the battery pack.

### Charging light indicator

Red LED on; Green LED off	Charger ready
Red LED on; Green LED flashes	Battery pack charging
Red LED off; Green LED on	Battery pack fully charged
Red LED flashes; Green LED off	Battery pack too cold or hot
Red LED flashes faster; Green LED off	Battery pack defected



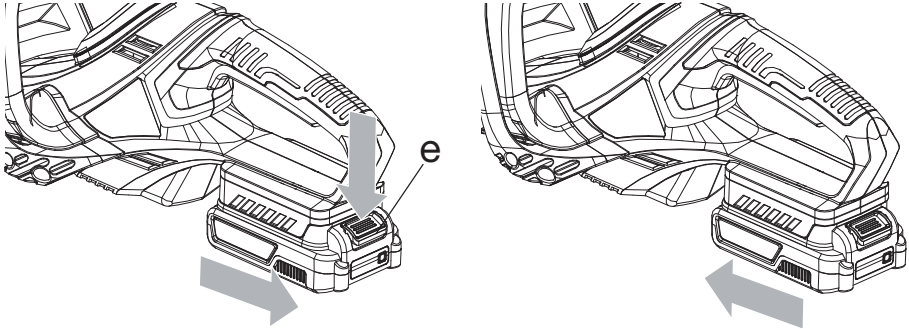
**WARNING:** When battery pack runs out after continuous use or exposure to direct sunlight or heat, allow time for the pack to cool down before re-charging to achieve the full capacity.

## TO REMOVE OR INSTALL BATTERY PACK

Depress the battery pack release button (e) to release battery pack from your hedge trimmer.

After recharging, insert the battery pack into hedge trimmer's battery port. A simple push and slight pressure will be sufficient.

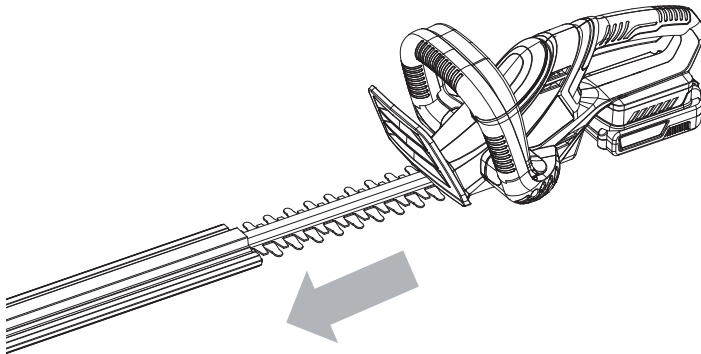
**NOTE:** When removing the battery pack, hold it firmly to avoid potential accidents.



## OPERATION

### 1. STARTING AND STOPPING

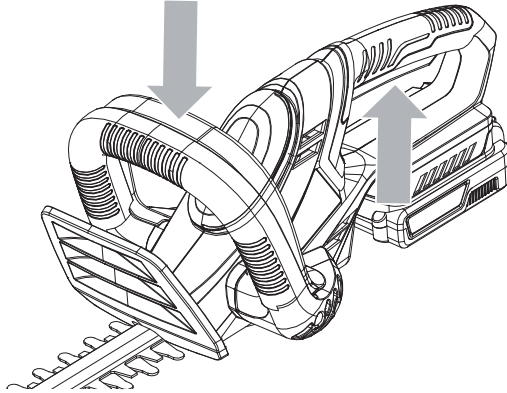
**Note:** before starting your hedge trimmer, remove blade sheath (7).



## TO START YOUR HEDGE TRIMMER

Your trimmer is equipped with two switch levers. Both switch levers need to be pressed for the hedge trimmer to start.

Depress and hold safety handle switch (3) and press on/off switch.



## TO STOP YOUR HEDGE TRIMMER

Move hedge trimmer away from cutting area before stopping. To stop, release either the safety handle switch (3) or on/off switch (h), the trimmer will stop almost immediately.



**Warning!** If any parts are missing, damaged or broken, do not operate your hedge trimmer until all damaged parts have been replaced or repaired. Failure to do so could result in serious personal injury.

## IMPORTANT TIPS FOR TRIMMING HEDGES

- Assume secure posture and hold trimmer with both hands.  
If using a step ladder make sure it is securely located and if working high tie the ladder to the thicker inner branches of the hedge.
- Ensure no people or animals are in the work area.

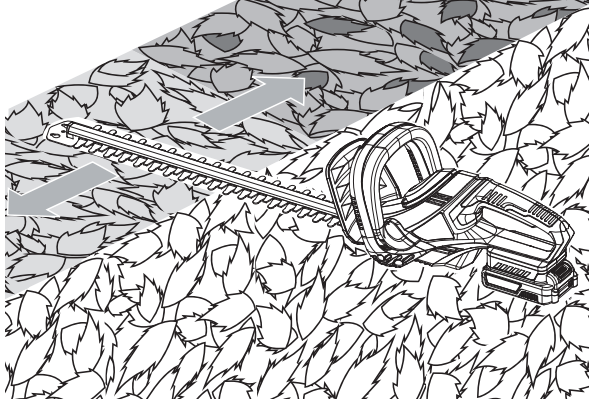
## PAY ATTENTION TO USE YOUR HEDGE TRIMMER

- Inspect the area to be cut before each use, remove objects which can be thrown or become entangled in the cutting blades.
- Always hold the Hedge trimmer with both hands and with the blade away from you before turning it on.
- When trimming new growth, use a wide sweeping action so that the stems are fed directly into the blade.
- Allow the cutting blades to reach full speed before entering the material to be cut.
- Always work in the direction going away from people and solid objects such as walls ,large stones, trees, vehicles etc.
- If the blades jam, immediately stop the hedge trimmer.  
Remove the battery pack and clear the foreign objects from the cutting blade.

- Wear gloves when trimming thorny or prickly growth.
- Move the hedge trimmer to feed the branches directly into the blade cutting edges.
- Do not try to cut stems that are too large to feed into the cutting blades.

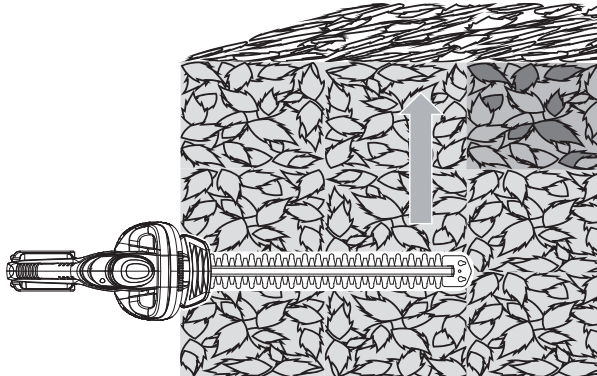
## 2. TOP CUTTING

Use a wide sweeping motion. A slight downward tilt of the cutting blades in the direction of motion gives the best cutting results.



## 3. SIDE CUTTING

When trimming the sides of the hedge, begin at the bottom and cut upwards, tapering the hedge inward at the top. This shape will expose more of the hedge, resulting in a more uniform growth.



## CARE AND CLEANING



**WARNING!** Remove the battery pack from the tool before carrying out any adjustment, servicing or maintenance.

- 1) Never use water to cleaning the unit.
- 2) Always clean the hedge trimmer immediately after use. Brush the blade using a stiff nylon brush to remove any debris.
- 3) Always store the unit in a dry place.
- 4) Inspect the hedge trimmer before each use.
- 5) Have the unit professionally repaired if any damage occurs.
- 6) The blade rail should be cleaned and treated with fine oil after each use.
- 7) Use the blade guard for transportation and storage.

## TROUBLE SHOOTING

Use this section to help you to try and solve any problems you may have:

PROBLEM	POSSIBLE CAUSE	CORRECTIVE ACTION
Trimmer fails to operate.	Out of battery.	Check battery pack assembly. Charge the battery pack.
Battery fails to charge.	Wrong assembly	Insert battery into the charger base. Check the plug and fuse connected with supply.
Trimmer does not cutting properly	Blunt or damaged blade	Contact service agent.
Suspected fault	Damaged machine	Return the trimmer to an authorized dealer for repair.

**NOTE: IF YOU EXPERIENCE A PROBLEM WITH YOUR TOOL, PLEASE DO NOT ATTEMPT TO OPEN OR REPAIR THE TOOL YOURSELF. DOING SO MAY VOID THE WARRANTY AND COULD CAUSE DAMAGE OR PERSONAL INJURY. IF THE PROBLEM STILL PERSISTS, PLEASE CONTACT US BY REFERRING TO THE SERVICE & SUPPORT INFORMATION ON THE FOLLOWING PAGE.**



## DECLARATION OF CONFORMITY / PERFORMANCE



**Product Code: 78886 (ET-1905-510-2)**

**Product Description: Hawksmoor 18V 51cm Cordless Hedge Trimmer**

1. Toolstation Limited, Express Park, Bristol Road, Bridgwater, Somerset TA6 4RN

This declaration of conformity is issued under the sole responsibility of Toolstation

2. Object of the declaration

The object of the declaration described above is in conformity with the relevant Community harmonization legislation:

Supply of Machinery (Safety) Regulations 2008

Electromagnetic Compatibility Regulations 2016

Noise Emission in the Environment by Equipment for use Outdoors Regulations 2001

The Restriction of the Use of Certain Hazardous Substances in Electrical and Electronic Equipment Regulations 2012

3. References to the relevant standards used (or references to the specifications in relation to which conformity is declared:

BS EN 62841-1, BS EN 62841-4-2, BS EN ISO 3744, BS EN 55014-1, BS EN 55014-2,  
BS EN 61000-3-2, BS EN 61000-3-3, EN60335-2-29, BS EN 60335-1, BS EN 62233

4. Additional information:

Signed for and on behalf of Toolstation Limited

## ENVIRONMENTAL INFORMATION



The symbol on the product or its packaging indicates that this product must not be disposed of with your other household waste. Instead, it is your responsibility to dispose of your waste equipment by handing it over to a designated collection point for the recycling of waste electrical and electronic equipment. The separate collection and recycling of your waste equipment at the time of disposal will help conserve natural resources and ensure that it is recycled in a manner that protects human health and the environment. For more information about where you can drop off your waste for recycling, please contact your local authority, or where you purchased your product.

## GUARANTEE

Toolstation products deliver reliable service for normal, household use in domestic settings. All Toolstation products are individually tested before leaving the factory.

If you are a consumer and you experience a problem with your Toolstation product, which is found to be defective due to faulty materials or workmanship within the Guarantee Period, this Toolstation Guarantee will cover repair or - at the discretion of Toolstation - replacement with a functionally equivalent Toolstation product.

Your product is under guarantee for 2 years from the date of purchase or the date of delivery of the product, if later.

The guarantee is subject to the following provisions:

- The guarantee does not cover accidental damage, misuse, cabinet parts, knobs, or consumable items.
- The product must be correctly installed and operated in accordance with the instructions contained in this manual.
- It must be used solely for domestic purpose.
- The guarantee will be rendered invalid if the product is re-sold or has been damaged by inexpert repair.
- Specifications are subject to change without notice.
- The manufacturer disclaims any liability for the incidental or consequential damages.
- The guarantee is in addition to, and does not diminish your statutory or legal rights

## CUSTOMER SUPPORT

[www.coreservice.co.uk](http://www.coreservice.co.uk)

Call us +44 01904 947568

Email: [support@coreservice.co.uk](mailto:support@coreservice.co.uk)

Made in China