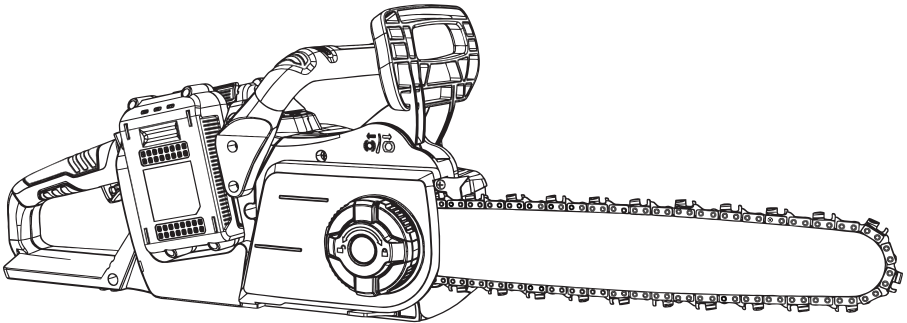




Original User's Instructions

# 36V (2 x 18V) 40.6cm Brushless Cordless Chainsaw

SKU: 44892

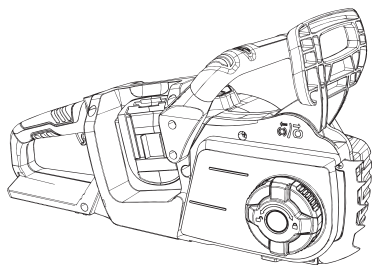


**READ BEFORE USE  
PLEASE KEEP THESE INSTRUCTIONS FOR FURTHER REFERENCE**

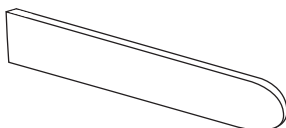
## CONTENT

• WHAT'S IN THE BOX -----	3
• SPECIFICATIONS -----	4
• EXPLANATIONS AND SYMBOLS, CAUTIONS AND WARNINGS -----	6
• IMPORTANT SAFETY WARNINGS -----	8
• PRODUCT DESCRIPTION AND IDENTIFICATIONS -----	25
• ASSEMBLY AND OPERATING INSTRUCTIONS -----	26
• CARE AND CLEANING -----	45
• TROUBLE SHOOTING -----	52
• DECLARATION OF CONFORMITY / PERFORMANCE -----	54
• ENVIRONMENTAL INFORMATION -----	55
• GUARANTEE -----	56
• CUSTOMER SUPPORT -----	56

## WHAT'S IN THE BOX



Chain saw body



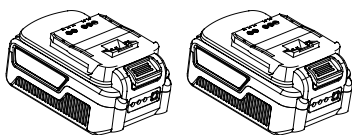
Bar protection cover



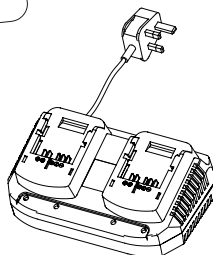
Oregon saw chain x 1



Oregon guide bar x 1



Battery pack x 2



Charger

**If you do not have all these items, please contact:**

**[www.coreservice.co.uk](http://www.coreservice.co.uk)**

**Hotline: +44 01904 947568**

**Email [support@coreservice.co.uk](mailto:support@coreservice.co.uk)**

## SPECIFICATION

Technical Data	
Model	RLC40HD-SM
Nominal voltage of product with battery	36 (2x18)V d.c./4.0Ah Li-Ion
Bar length	406mm
Cutting length	360mm
Chain speed	15m/s
Oil tank capacity	260ml
Saw chain type	Oregon(91PX057X)
Bar type	Oregon(160SDEA041)
Weight (chain & bar included) approx.	5.1 kgs
Protection class of charger	Class II
Battery pack Model	B0P-SP06-18ZK
Battery capacity	18V d.c. 4Ah
Battery charging time Max.	120min
Battery charger Model	B0Q-SP07-2040ZB
Battery charger input	220-240V AC, 50/60Hz 120W
Battery charger output	21V d.c. 4A
Sound pressure level $L_{pA}$	92.5dB(A); K=3.0dB(A)
Sound power level $L_{WA}$	104.8dB(A); K=3.0dB(A)
Guaranteed sound power level $L_{WA}$	108dB(A)
Vibration	
Front handle	4,2 m/s <sup>2</sup> ; K=1,5
Rear handle	4,61 m/s <sup>2</sup> ; K=1,5

**Note: The above specifications are the MAXIMUM capacities of the tool. Voltage measured without workload. Initial battery voltage reaches 20 Volts. Nominal voltage is 18 Volts.**

The vibration emission level given in this information sheet has been measured in accordance with a standardised test given in BS EN 62841 and may be used to compare one tool with another. It may be used for a preliminary assessment of exposure.





**WARNING:** The declared vibration emission level represents the main applications of the tool. However if the tool is used for different applications, with different accessories or poorly maintained, the vibration emission may differ. This may significantly increase the exposure level over the total working period.

An estimation of the level of exposure to vibration should also take into account the times when the tool is switched off or when it is running but not actually doing the job. This may significantly reduce the exposure level over the total working period.

Identify additional safety measures to protect the operator from the effects of vibration such as: maintain the tool and the accessories, keep the hands warm, organisation of work patterns.

## EXPLANATIONS AND SYMBOLS, CAUTIONS AND WARNINGS



To reduce the risk of injury, user must read instruction manual



Warning!



Wear ear protection



Wear eye protection



Wear gloves



Wear protective shoes



Wear dust mask



Beware of chain saw kickback and avoid contact with bar tip



Do not expose to rain



Always use chain saw two-handed





Batteries may enter water cycle if disposed improperly, which can be hazardous for ecosystem. Do not dispose of waste batteries as unsorted municipal waste.



Do not burn



Li-Ion

Li-Ion battery This product has been marked with a symbol relating to 'separate collection' for all battery packs and battery pack. It will then be recycled or dismantled in order to reduce the impact on the environment. Battery packs can be hazardous for the environment and for human health since they contain hazardous substances.



Waste electrical products must not be disposed of with household waste. Please recycle where facilities exist. Check with your local authorities or retailer for recycling advice.



Double insulation



Indoor use only (for charger)



Read the user's manual



Fuse



The product complies with the applicable European directives and an evaluation method of conformity for these directives was done.



UK conformity assessed.

## IMPORTANT SAFETY WARNINGS

### General Power Tool Safety Warnings



**Warning:** Please read the following instructions carefully, failure to do so could lead to serious personal injury. When using the electric chainsaw, basic safety precautions, including the following, should always be followed to reduce the risk of fire, electric shock and personal injury. Read all these instructions before operating this product and save these instructions.

The term “power tool” in the warnings refers to your mains-operated (corded) power tool or battery-operated (cordless) power tool.

Become familiar with the owner’s manual before attempting to operate this machine.

- This machine is not intended for use by persons (including children) with reduced physical, sensory or mental capabilities, or lack of experience and knowledge, unless they have been given supervision or instruction concerning use of the appliance by a person responsible for their safety.
- Children should be supervised to ensure that they do not play with the appliance.
- The machine is only to be used with the power supply unit provided with the machine.

**Important! Read carefully before use, keep for further reference.**

## **Work Area Safety**

- Keep work area clean and well lit. Cluttered or dark areas invite accidents.
- Do not operate power tools in explosive atmospheres, such as in the presence of flammable liquids, gases or dust. Power tools create sparks which may ignite the dust or fumes.
- Keep children and bystanders away while operating a power tool. Distractions can cause you to lose control.

## **Electrical Safety**

- Power tool plugs must match the outlet. Never modify the plug in any way. Do not use any adapter plugs with earthed (grounded) power tools. Unmodified plugs and matching outlets will reduce risk of electric shock.
- Avoid body contact with earthed or grounded surfaces, such as pipes, radiators, ranges and refrigerators. There is an increased risk of electric shock if your body is earthed or grounded.
- Do not expose power tools to rain or wet conditions. Water entering a power tool will increase the risk of electric shock.
- Do not abuse the cord. Never use the cord for carrying, pulling or unplugging the power tool. Keep cord away from heat, oil, sharp edges or moving parts. Damaged or entangled cords increase the risk of electric shock.
- When operating a power tool outdoors, use an extension cord suitable for outdoor use. Use of a cord suitable for outdoor use reduces the risk of electric shock.
- If operating a power tool in a damp location is unavoidable, use a residual current device (RCD) protected supply. Use of an RCD reduces the risk of electric shock.

## Personal Safety

- Stay alert, watch what you are doing and use common sense when operating a power tool. Do not use a power tool while you are tired or under the influence of drugs, alcohol or medication. A moment of inattention while operating power tools may result in serious personal injury.
- Use personal protective equipment. Always wear eye protection. Protective equipment such as dust mask, non-skid safety shoes, hard hat, or hearing protection used for appropriate conditions will reduce personal injuries.
- Prevent unintentional starting. Ensure the switch is in the off-position before connecting to power source and/or battery pack, picking up or carrying the tool. Carrying power tools with your finger on the switch or energizing power tools that have the switch on invites accidents.
- Remove any adjusting key or wrench before turning the power tool on. A wrench or a key left attached to a rotating part of the power tool may result in personal injury.
- Do not overreach. Keep proper footing and balance at all times. This enables better control of the power tool in unexpected situations.
- Dress properly. Do not wear loose clothing or jewelry. Keep your hair and clothing away from moving parts. Loose clothes, jewelry or long hair can be caught in moving parts.
- If devices are provided for the connection of dust extraction and collection facilities, ensure these are connected and properly used. Use of dust collection can reduce dust-related hazards.
- Do not let familiarity gained from frequent use of tools allow you to become complacent and ignore tool safety principles. A careless action can cause severe injury within a fraction of a second.

## **Power Tool Use and Care**

- Do not force the power tool. Use the correct power tool for your application. The correct power tool will do the job better and safer at the rate for which it was designed.
- Do not use the power tool if the switch does not turn it on and off. Any power tool that cannot be controlled with the switch is dangerous and must be repaired.
- Disconnect the plug from the power source and/or remove the battery pack, if detachable, from the power tool before making any adjustments, changing accessories, or storing power tools. Such preventive safety measures reduce the risk of starting the power tool accidentally.
- Store idle power tools out of the reach of children and do not allow persons unfamiliar with the power tool or these instructions to operate the power tool. Power tools are dangerous in the hands of untrained users.
- Maintain power tools and accessories. Check for misalignment or binding of moving parts, breakage of parts and any other condition that may affect the power tool's operation. If damaged, have the power tool repaired before use. Many accidents are caused by poorly maintained power tools.
- Keep cutting tools sharp and clean. Properly maintained cutting tools with sharp cutting edges are less likely to bind and are easier to control.
- Use the power tool, accessories and tool bits etc. in accordance with these instructions, taking into account the working conditions and the work to be performed. Use of the power tool for operations different from those intended could result in a hazardous situation.
- Keep handles and grasping surfaces dry, clean and free from oil and grease. Slippery handles and grasping surfaces do not allow for safe handling and control of the tool in unexpected situations.

## **Service**

- Have your power tool serviced by a qualified repair person using only identical replacement parts. This will ensure that the safety of the power tool is maintained.

## **Product Safety Warnings**

### **Chain Saw Safety Warnings:**

- Use the tool only with specifically designated battery packs. Use of any other battery packs will increase the risk of injury and fire.
- Only operate the product in daylight or in good artificial light.
- Do not expose tool and charger to rain or wet conditions. If a tool or charger is exposed to moisture it will increase the risk of electric shock, battery damage, fire or explosion.
- Keep all parts of the body away from the saw chain when the chain saw is operating. Before you start the chain saw, make sure the saw chain is not contacting anything. A moment of inattention while operating chain saws may cause entanglement of your clothing or body with the saw chain.
- Always hold the chain saw with your right hand on the rear handle and your left hand on the front handle. Holding the chain saw with a reversed hand configuration increases the risk of personal injury and should never be done.
- Hold the power tool by insulated gripping surfaces only, because the saw chain may contact hidden wiring. Saw chains contacting a “live” wire may make exposed metal parts of the power tool “live” and could give the operator an electric shock.
- Wear safety glasses protection. Further protective equipment for hearing, head, hands, legs and feet is recommended. Adequate protective clothing will reduce personal injury by flying debris or accidental contact with the saw chain.



- Do not operate a chain saw in a tree, on a ladder, from a rooftop, or any unstable support. Operation of a chain saw in this manner could result in serious personal injury.
- Always keep proper footing and operate the chain saw only when standing on fixed, secure and level surface. Slippery or unstable surfaces may cause a loss of balance or control of the chain saw.
- When cutting a limb that is under tension, be alert for spring-back. When the tension in the wood fibers is released, the spring-loaded limb may strike the operator and/or throw the chain saw out of control.
- Use extreme caution when cutting brush and saplings. The slender material may catch the saw chain and be whipped toward you or pull you off balance.
- Carry the chain saw by the front handle with the chain saw switched off and away from your body. When transporting or storing the chain saw, always fit the guide bar cover. Proper handling of the chain saw will reduce the likelihood of accidental contact with the moving saw chain.
- Follow instructions for lubricating, chain tensioning and changing the bar and chain. Improperly tensioned or lubricated chain may either break or increase the chance for kickback.
- Cut wood only. Do not use chain saw for purposes not intended. For example: do not use chain saw for cutting metal, plastic, masonry or non-wood building materials. Use of the chain saw for operations different than intended could result in a hazardous situation.
- Do not attempt to fell a tree until you have an understanding of the risks and how to avoid them. Serious injury could occur to the operator or bystanders while felling a tree.

- Follow all instructions when clearing jammed material, storing or servicing the chain saw. Make sure the switch is off and the battery pack is removed. Unexpected actuation of the chain saw while clearing jammed material or servicing may result in serious personal injury.
- Recommendation that the first-time user should, as a minimum, practice cutting logs on a saw-horse or cradle.
- Recommendation to have sharpening and maintenance of the saw chain performed by authorized service centres.

### **Causes and Operator Prevention of Kickback:**

Kickback may occur when the nose or tip of the guide bar touches an object, or when the wood closes in and pinches the saw chain in the cut.

Tip contact in some cases may cause a sudden reverse reaction, kicking the guide bar up and back towards the operator.

Pinching the saw chain along the top of the guide bar may push the guide bar rapidly back towards the operator.

Either of these reactions may cause you to lose control of the saw which could result in serious personal injury. Do not rely exclusively upon the safety devices built into your saw. As a chain saw user, you should take several steps to keep your cutting jobs free from accident or injury.

Kickback is the result of tool misuse and/or incorrect operating procedures or conditions and can be avoided by taking proper precautions as given below:

- Maintain a firm grip, with thumbs and fingers encircling the chain saw handles, with both hands on the saw and position your body and arm to allow you to resist kickback forces. Kickback forces can be controlled by the operator, if proper precautions are taken. Do not let go of the chain saw.

- Do not overreach and do not cut above shoulder height. This helps prevent unintended tip contact and enables better control of the chain saw in unexpected situations.
- Only use replacement bars and chains specified by the manufacturer. Incorrect replacement guide bars and saw chains may cause chain breakage and/or kickback.
- Follow the manufacturer's sharpening and maintenance instructions for the saw chain. Decreasing the depth gauge height can lead to increased kickback.

### **Residual Risks:**

Even with the intended use of the appliance there is always a residual risk, which can not prevented. According to the type and construction of the appliance the following potential hazards might apply:

- Contact with exposed saw teeth of the saw chain (cutting hazards)
- Access to the rotating saw chain (cutting hazards)
- Unforeseen, abrupt movement of the guide bar (cutting hazards)
- Flung out of parts from the saw chain (Cutting / injection hazards)
- Flung out of parts of the work piece
- Skin contact with the oil
- Loss of hearing, if no required ear protection used during work

### **Save These Instructions:**

**Instructions concerning the proper techniques for basic felling, limbing, and cross-cutting.**

## **1. Felling a tree**

When bucking and felling operations are being performed by two or more persons at the same time, the felling operations should be separated from the bucking operation by a distance of at least twice the height of the tree being felled. Trees should not be felled in a manner that would endanger any person, strike any utility line or cause any property damage. If the tree does make contact with any utility line, the company should be notified immediately.

The chain saw operator should keep on the uphill side of the terrain as the tree is likely to roll or slide downhill after it is felled.

An escape path should be planned and cleared as necessary before cuts are started. The escape path should extend back and diagonally to the rear of the expected line of fall as illustrated in Figure 1.

Before felling is started, consider the natural lean of the tree, the location of larger branches and the wind direction to judge which way the tree will fall.

Remove dirt, stones, loose bark, nails, staples and wire from the tree.

## **2. Notching undercut**

Make the notch 1/3 the diameter of the tree, perpendicular to the direction of falls as illustrated in Figure 1. Make the lower horizontal notching cut (W) first. This will help to avoid pinching either the saw chain or the guide bar when the second notch (X) is being made.

### 3. Felling back cut

Make the felling back cut (Y) at least 50 mm higher than the horizontal notching cut as illustrated in Figure 1. Keep the felling back cut parallel to the horizontal notching cut. Make the felling back cut so enough wood is left to act as a hinge. The hinge wood keeps the tree from twisting and falling in the wrong direction. Do not cut through the hinge.

As the felling gets close to the hinge, the tree should begin to fall. If there is any chance that the tree may not fall in desired direction or it may rock back and bind the saw chain, stop cutting before the felling back cut is complete and use wedges of wood, plastic or aluminium (Z) to open the cut and drop the tree along the desired line of fall ( 3 ).

When the tree begins to fall remove the chain saw from the cut, stop the motor, put the chain saw down, then use the retreat path planned ( 2 ). Be alert for overhead limbs falling and watch your footing.

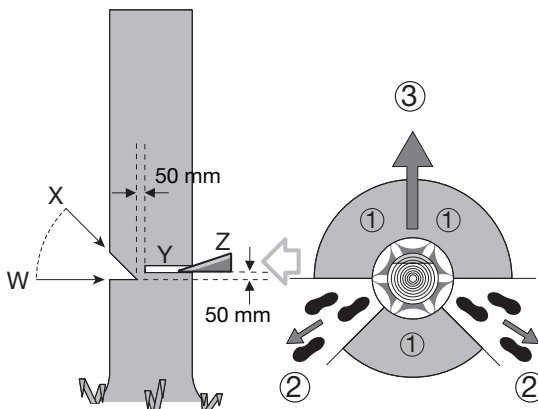


Figure 1

#### 4. Limbing a tree

Limbing is removing the branches from a fallen tree. When limbing leave larger lower limbs to support the log off the ground. Remove the small limbs in one cut as illustrated in Figure 2.

Branches under tension should be cut from the bottom up to avoid binding the chain saw.

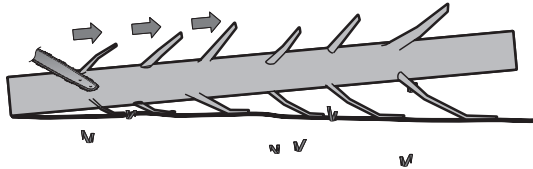


Figure 2

#### 5. Bucking a log

Bucking is cutting a log into lengths. It is important to make sure your footing is firm and your weight is evenly distributed on both feet. When possible, the log should be raised and supported by the use of limbs, logs or chocks. Follow the simple directions for easy cutting.

When the log is supported along its entire length as illustrated in Figure 3, it is cut from the top (overbuck), avoid contacting ground as this will greatly reduce the chain sharpness.

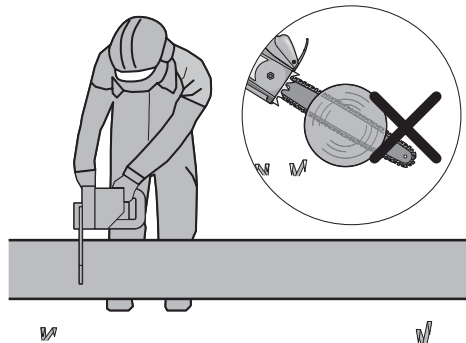


Figure 3

When the log is supported on one end, as illustrated in Figure 4, cut  $\frac{1}{3}$  the diameter from the underside (underbuck) (1). Then make the finished cut by overbucking (2) to meet the first cut.

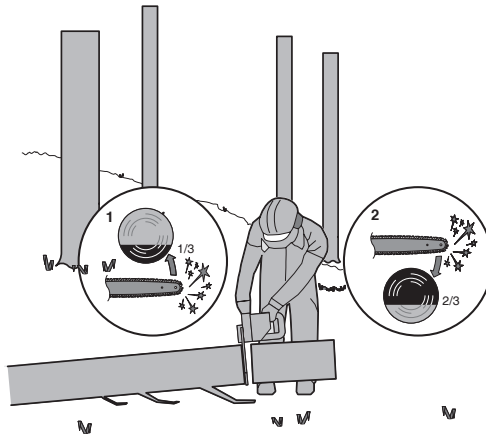


Figure 4

When the log is supported on both ends, as illustrated in Figure 5, cut  $\frac{1}{3}$  the diameter from the top (overbuck) (1). Then make the finished cut by underbucking (2) the lower  $\frac{2}{3}$  to meet the first cut.

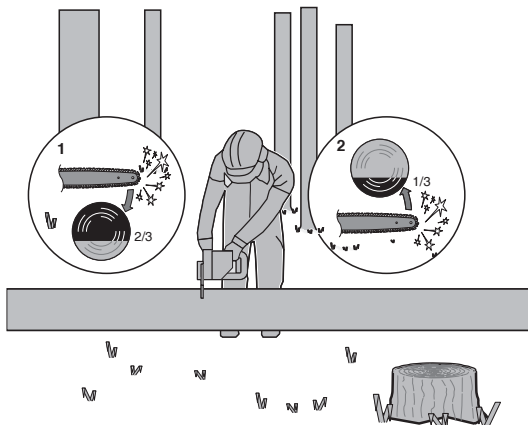


Figure 5

When bucking on a slope always stand on the uphill side of the log, as illustrated in Figure 6. When “cutting through”, to maintain complete control release the cutting pressure near the end of the cut without relaxing your grip on the chain saw handles. Don’t let the chain contact the ground. After completing the cut, wait for the saw chain to stop before you move the chain saw. Always stop the motor before moving from tree to tree.

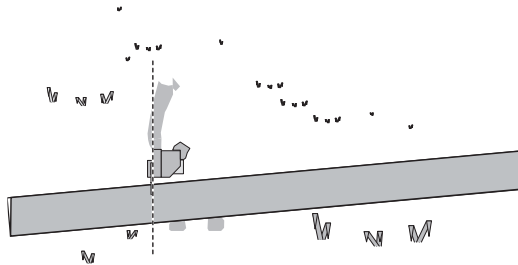


Figure 6

### **Safety Warning For Battery Pack**

- Fully charge battery pack before the first use.
- Recharge battery pack when the power output starts to slow. Do not continue to use product when battery capacity level is low.
- To prevent serious damage to the battery pack, charge in temperatures above 5°C or below 45°C. Longest life and best performance can be achieved when battery is charged at room temperature (20 °C ± 5 °C).
- If the battery temperature is hot after use, it must be allowed to cool before putting it into the charging station.
- If the battery pack becomes too hot during charging, disconnect and switch off immediately. Contact the service center directly.
- Do not dismantle, open or shred cells or battery pack.



- Do not short-circuit a battery pack. Do not store battery packs haphazardly in a box or drawer where they may short-circuit each other or be short-circuited by conductive materials. When battery pack is not in use, keep it away from other metal objects, like paper clips, coins, keys, nails, screws or other small metal objects, that can make a connection from one terminal to another. Shorting the battery terminals together may cause burns or a fire.
- Do not carry individual battery packs in your pockets or bag as they could short-circuit against other metal items.
- Do not expose battery pack to heat or fire. Avoid use or storage in direct sunlight for extended periods of time.
- Do not subject battery pack to mechanical shock.
- In the event of battery leaking, do not allow the liquid to come into contact with the skin or eyes. If contact has been made, wash the affected area with copious amounts of water and seek medical advice.
- Should a Li-ion battery catch fire, ensure to use the correct fire extinguisher to combat the fire. Do not throw or spray water on a burning Li-ion battery.
- Keep battery pack clean and dry. Wipe the battery pack terminals with a clean dry cloth if they become dirty.
- Battery pack needs to be charged before use. Always refer to this instruction and use the correct charging procedure.
- Do not maintain battery pack on charge when not in use.
- After extended periods of storage, it may be necessary to charge and discharge the battery pack several times to obtain maximum performance.
- Battery pack gives its best performance when it is operated at normal room temperature ( $20\text{ }^{\circ}\text{C} \pm 5\text{ }^{\circ}\text{C}$ ).
- When disposing of battery packs, keep battery packs of different electrochemical systems separate from each other.

- Recharge only with the charger specified by manufacturer. Do not use any charger other than that specifically provided for use with the equipment. A charger that is suitable for one type of battery pack may create a risk of fire when used with another battery pack.
- Do not use any battery pack which is not designed for use with the equipment.
- Keep battery pack out of the reach of children.
- Retain the original product literature for future reference.
- Remove the battery from the equipment when not in use.
- Dispose of properly.
- Do not mix cells of different manufacture, capacity, size or type within a device.
- Do not remove battery pack from its original packaging until required for use.

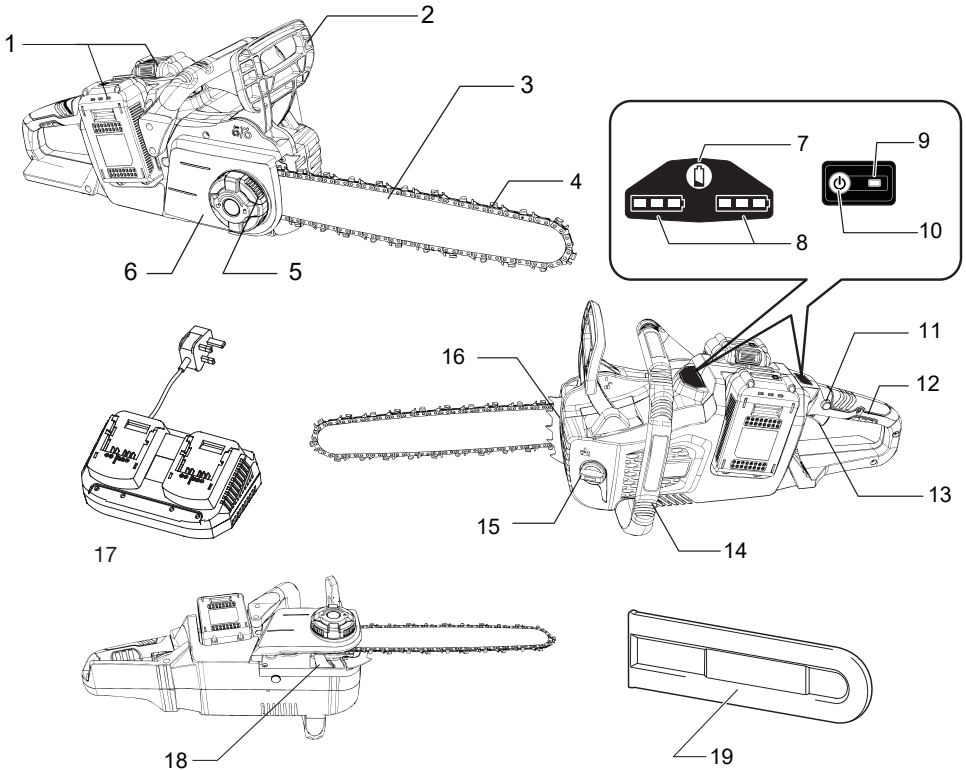
### **Safety Warning For Battery Charger**

- Charge only battery pack of the same model provided by manufacturer and of models recommended by manufacturer.
- Do not use the original charger on other Li-ion batteries or on any other type of battery as this can increase the risk of fire or explosion.
- Check the battery charger, cable and plug before each use. Do not use the battery charger if damaged. Do not open the battery charger yourself, charger must be repaired by qualified personnel using original spare parts.
- The charger is designed to use a standard household 220-240 V~ 50Hz power source, ensure that the plug matches the outlet.
- Never modify the plug in any way, this will reduce the risk of electric shock.

- Do not abuse the cord of charger. Never use the cord for carrying, pulling or unplugging the charger. Keep cord away from heat, oil, sharp edges or moving parts. Damaged or entangled cords increase the risk of electric shock.
- Make sure the charger cord is situated so that it will not be stepped on, tripped over or get damaged.
- If the supply cord is damaged, it must be replaced by the manufacturer, its service agent or similarly qualified persons in order to avoid a hazard.
- Keep the battery charger clean. Contamination can increase the risk of electric shock.
- Protect the battery charger from rain and moisture. If water accesses the battery charger there is an increased risk of electric shock.
- Battery will heat up whilst charging. When charging batteries, ensure that the battery charger is in a well-ventilated area and to reduce the risk of fire, do not operate battery charger on or close to inflammable materials such as paper or textiles.
- Do not overcharge any batteries. Ensure that batteries and chargers are not left unsupervised during charging.
- The temperature range over which the battery pack can be charged is typically between 5°C-45°C. Attempts to charge out with the prescribed temperature range may automatically be blocked by the protection circuitry of the battery pack. Longest life and best performance can be obtained if the battery pack is charged at room temperature.
- Disconnect charger from the power supply when not in use. This will reduce the risk of electric shock or damage to the charger.

- This charger can be used by children aged from 8 years and above and persons with reduced physical, sensory or mental capabilities or lack of experience and knowledge if they have been given supervision or instruction concerning use of the appliance in a safe way and understand the hazards involved.
- Children shall not play with the appliance. Cleaning and user maintenance shall not be made by children without supervision.

## PRODUCT DESCRIPTION AND IDENTIFICATIONS



- |                                    |                     |
|------------------------------------|---------------------|
| 1. Battery pack                    | 11. Lock off switch |
| 2. Front hand guard/chain brake    | 12. Rear handle     |
| 3. Guide bar                       | 13. Switch trigger  |
| 4. Saw chain                       | 14. Front handle    |
| 5. Chain tensioning dial           | 15. Oil tank cap    |
| 6. Sprocket cover                  | 16. Bumper spike    |
| 7. Battery level display on button | 17. Charger         |
| 8. Battery level indicator         | 18. Chain catcher   |
| 9. Main power switch bumper        | 19. Guide bar cover |
| 10. Main power indicator           |                     |

**Not all the accessories illustrated or described are included in standard delivery.**

## ASSEMBLY AND OPERATING INSTRUCTIONS



**NOTE:** To reduce the risk of injury, user must read instruction manual.

### Intended Use

The chainsaw is intended for sawing of trees, tree trunks, branches, wooden beams, planks, etc. Cuts can be sawed with or across the grain. This product is not suitable for sawing mineral materials.



**WARNING:** Before assembly and adjusting to the chainsaw, ensure the chainsaw is turned off and the battery pack is removed.



**CAUTION:** Do not touch the saw chain with bare hands. Always wear gloves when handling the saw chain.



**WARNING!** Before assembling the chain saw, check all the parts indicated in the manual are in the box. Inspect all the parts for signs of damage. Do not assemble the chain saw if you observe any damaged components.



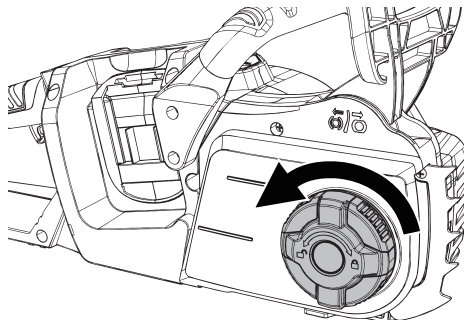
**WARNING!** Before using the tool, read the instruction book carefully.

### Guide bar and saw chain assembly

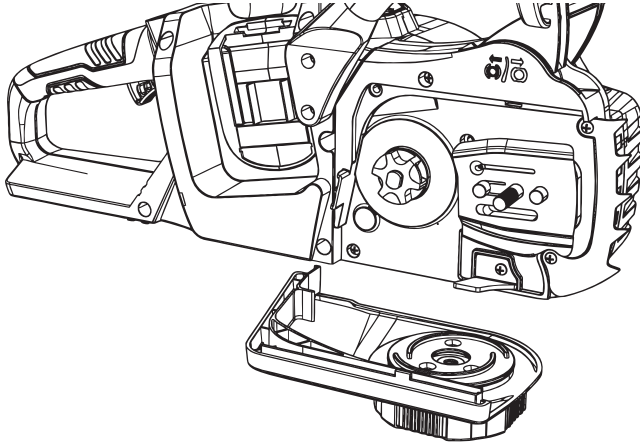


**CAUTION:** Always remove battery packs before assembling the chain saw. When removing the saw chain, always perform the following steps:

1. Loosen the chain tensioning dial (5) on the sprocket cover counterclockwise.

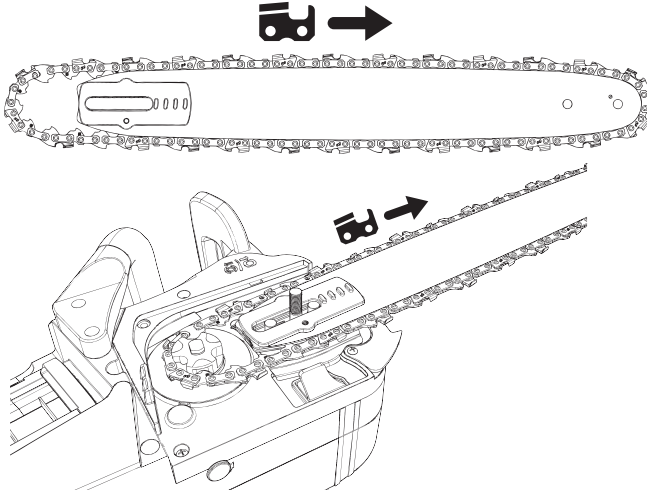


2. Remove the sprocket cover (6).



3. Place the saw main body on a flat, firm surface.

Wearing protective gloves, slide and wrap the chain(4) in the groove around the guide bar(3). Ensure the saw chain teeth are facing in the correct running direction by comparing it to the chain icon on the guide bar and machine. Ensure the bar tensioning plate is facing outward.

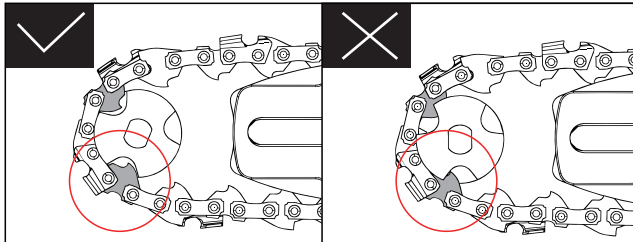
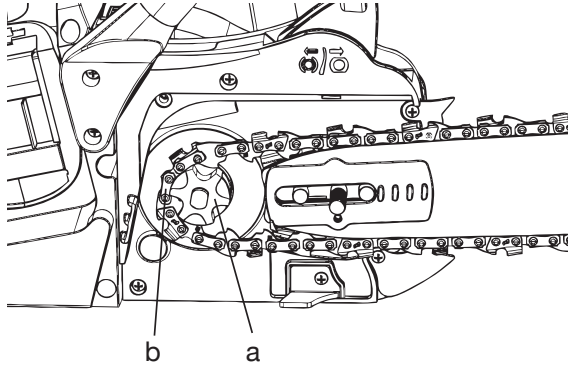


4. Hold the guide bar still and fit the chain(3) onto the drive sprocket(a). Pull the chain around the drive sprocket(a) and into sprocket teeth. Position the guide bar(3) on the threaded stud. Make sure the chain fits around drive sprocket(a) and keep the chain direction as shown in below figure.

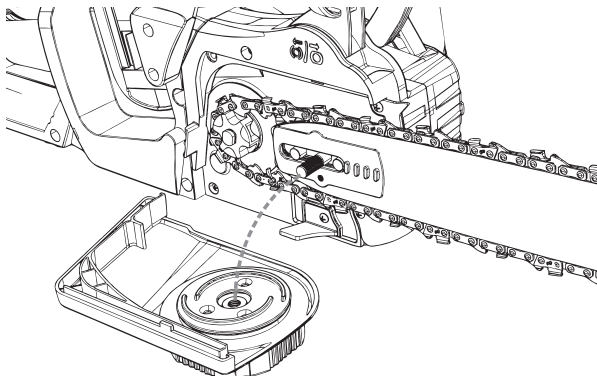
Pay attention to make sure that the chain drive links(b) are fully and correctly seated into the sprocket teeth according to the label on the sprocket cover, to avoid a kink.



**Warning! If chain drive links are not correctly seated into the sprocket teeth, the saw chain is not able to be tensioned properly and will lead to a loose chain. A loose chain will cause injury and damage!**

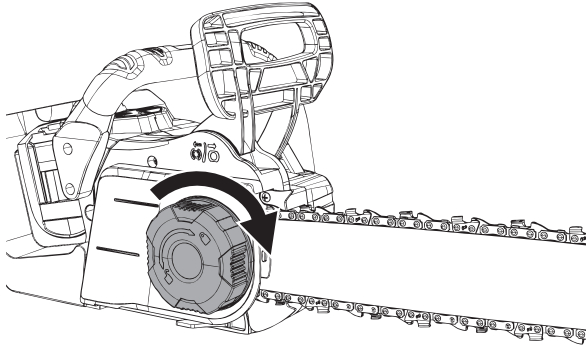


5. Replace the sprocket cover(6) back onto the sprocket base on the machine.





6. Rotate the chain quick tensioning dial(5) clockwise until the guide bar and saw chain are firmly tightened.



7. Tensioning chain and bar

NOTE: New saw chains will stretch slightly. Check the chain tension frequently when first used and tighten when the chain becomes loose around the guide bar.

The tension is correct when the chain snaps back after being pulled 3 mm away from the guide bar with light force from the index finger and thumb as shown in Figure below. There should be no “sag” between the guide bar and the chain on the underside. Rotate the chain quick tensioning dial(5) clockwise until the chain tension is correct as instructed above.

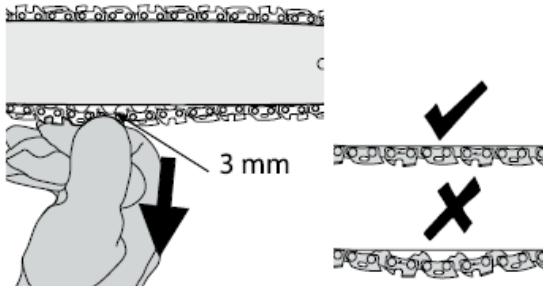
In case the chain quick tensioning dial(5) has been adjusted to its end and not able to be further rotated clockwise to tension the chain correctly, then rotate the quick tensioning dial (5) counterclockwise two full turns to loose the chain cover, hold the guide bar still and pull it out slightly and rotate the chain quick tensioning dial(5) to tighten it until the chain tension is correct.

Do not over-tension the chain as this will lead to excessive wear and will reduce the life of the bar and chain.



**WARNING:**

- 1) Remove the battery pack before adjusting saw chain tension.
- 2) Cutting edges on chain are sharp. Use protective gloves when handling chain.
- 3) Always maintain the correct chain tension. A loose chain will increase the risk of kickback. A loose chain may jump out of guide bar groove. This may injure operator and damage chain. A loose chain will cause chain, bar, and sprocket to wear rapidly.



## Before operation

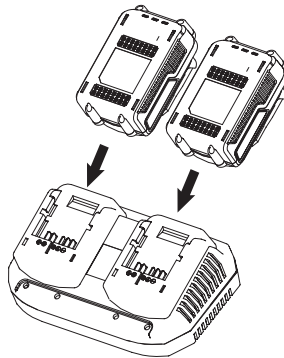


**WARNING:** The charger and battery pack are specially designed to work together so do not attempt to use any other devices. Never insert or allow metallic objects into your charger or battery pack connections otherwise an electrical failure and hazard will occur.

**NOTE:** The battery pack comes partly charged. Charge the battery pack prior to first use, ideally at least 60 minutes.

- Always pull out the plug of the charger from the mains before removing or connecting the battery pack to the charger.
- Never charge the battery pack when the ambient temperature is below 5°C or above 45°C.
- Never recharge a battery pack again immediately after rapid charging. This could overcharge the battery pack, thus reducing the lifespan of the battery pack and charger.
- Rest the charger for at least 15 minutes between continuously charging sessions.

**NOTE:** Always fully charge the two batteries at the same time.

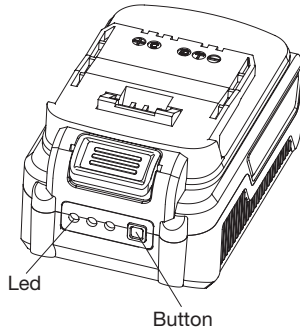


### Checking battery capacity

Press the battery capacity level button to check the charging level of the battery pack. The status/remaining capacity will be shown on the battery charging level indication light.

3 Green LED on	Battery pack fully charged
2 Green LED on	Battery pack 65% charged
1 Green LED on	Battery pack 35% charged
No LED lit	Battery is dead and needs to be charged

Charge the battery pack before operating when it is at medium or low battery charging level.

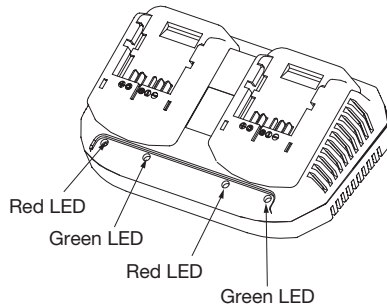


### Charging procedure

- 1) Slide the battery pack into the charger base to make connections.
- 2) Connect the battery charger to the power supply. The indicator light will be green and flash to show that the charging has started.
- 3) When charging is completed, the light will be continuously lit, the pack is now fully charged, unplug the charger and remove the battery pack.

### Charging light indicator

Red LED on, Green LED off	Charger ready
Red LED off, Green LED flashes	Battery pack charging
Red LED off, Green LED on	Battery pack fully charged
Red LED flashes, Green LED flashes	Battery pack defected
Red LED on, Green LED on	Battery pack too cold or hot



**WARNING:** When battery pack runs out after continuous use or exposure to direct sunlight or heat, allow time for the pack to cool down before re-charging to achieve the full capacity.

### To obtain the best life from the battery

1. Never allow the battery to completely discharge before recharging. The battery pack should be placed on the charger whenever the battery pack is noticeably running down or the tool no longer performs a task it previously performed.
2. Avoid conducting short charges. Make sure that the battery is fully charged each time by allowing the charger to complete its full charging cycle.
3. Avoid allowing loose items like screws or nails etc. to be stored with battery packs as these or similar items can short battery packs and cause a fire or explosion
4. Always unplug the charger when not in use and store in a dry and secure place.
5. Avoid charging or storing your battery in temperatures below 5°C and above 45°C.
6. After use, allow the battery pack to cool down for approximately 30 minutes before attempting to recharge.

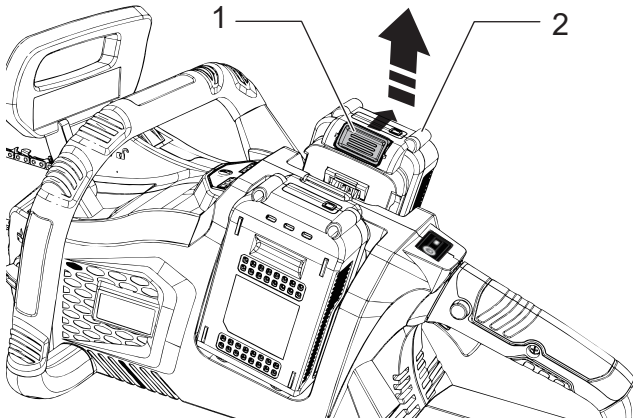
### Installing or removing battery



**CAUTION: Always switch off the tool before installing or removing of the battery packs.**



**CAUTION: Hold the tool and the battery packs firmly when installing or removing battery packs.** Failure to hold the tool and the battery packs firmly may cause them to slip out of your hands and result in damage to the tool and battery packs and a personal injury.



**1.Release button 2.Battery pack**

To remove the battery pack, slide it from the tool while depressing the release button on the front of the battery pack. To install the battery pack, align the ribs on the battery pack with the groove in the battery port and slip it into place. Insert it all the way until it locks in place with a click.

**NOTE: The tool does not work with only one battery.**

**NOTE: Pay attention to the position of your fingers when installing the battery as you may unintentionally depress the locking button.**

**Tool / battery protection system**





The tool is equipped with a tool/battery protection system. This system automatically cuts off power to the motor to extend tool and battery life. The tool will automatically stop during operation if the tool or battery is in one of the 3 following conditions.

- **Overload protection**

When the tool is operated in a manner that causes it to draw an abnormally high current, the tool automatically stops and the main power indicator will blink. In this situation, turn the tool off and stop the application that caused the tool to become overloaded. Then turn the tool on to restart.

- **Overheat protection**

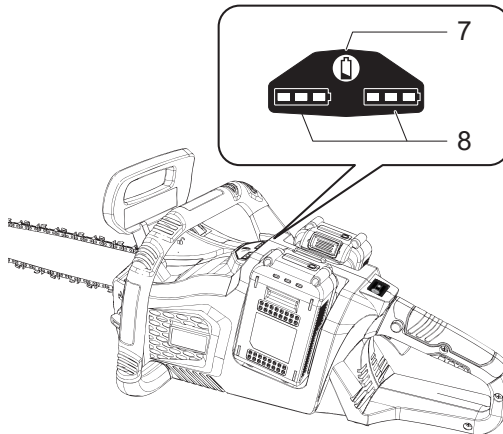
When the tool is overheated, the tool automatically stops and the capacity indicator lamp will blink as illustrated. In this situation, let the tool cool down before turning the tool on again.

Capacity indicator status			Status
 <b>On</b>	 <b>Off</b>	 <b>Blinking</b>	
			Overheated

- **Overdischarge protection**

When the battery capacity becomes low, the tool stops automatically. If the product does not operate even when the switches are operated, remove the batteries from the tool and charge the batteries.

**Indicating the remaining battery capacity**



Press the check button (7) on the machine the capacity indicator (8) shows the remaining battery capacity.

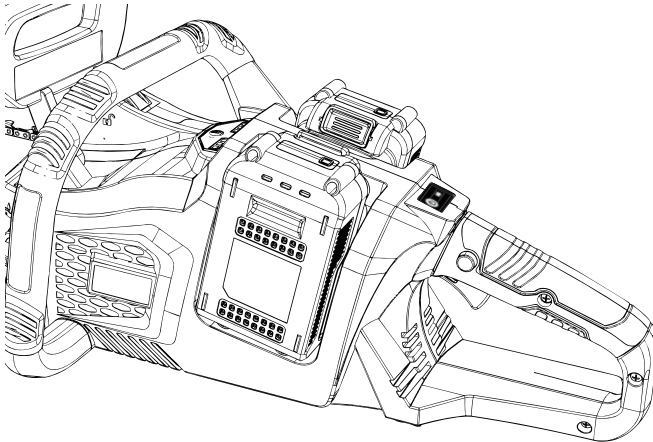
Red, Yellow, Green LED on	Battery pack over 80% charged
Red, Yellow LED on Green LED off	Battery pack over 60% charged
Red LED on Yellow, Green LED off	Battery pack over 30% charged
No LED lit	Battery is flat and needs to be charged

### Main power switch



**WARNING: Always turn off the main power switch when not in use.**

To stand by the chain saw, press the main power switch until the main power indicator (16) lights up. To turn off, press the main power switch again.



**NOTE: The main power indicator blinks if the switch trigger is pulled under un-operatable conditions. The indicator blinks if you**

- turn on the main power switch while pressing the lock-off switch and the switch trigger;
- pull the switch trigger while the chain brake is engaged;
- release the chain brake while pressing the lock-off switch and pulling the switch trigger.

**NOTE:** This chain saw employs the auto power-off function. To avoid unintentional start up, the main power switch will automatically shut down when the switch trigger is not pulled for a certain period after the main power switch is turned on.

### Switch action



**WARNING:** For your safety, this tool is equipped with lock-off switch which prevents the tool from unintended starting. **NEVER** use the tool if it runs when you simply pull the switch trigger without pressing the lock-off switch. Return the tool to our authorised service center for inspection **BEFORE** further usage.



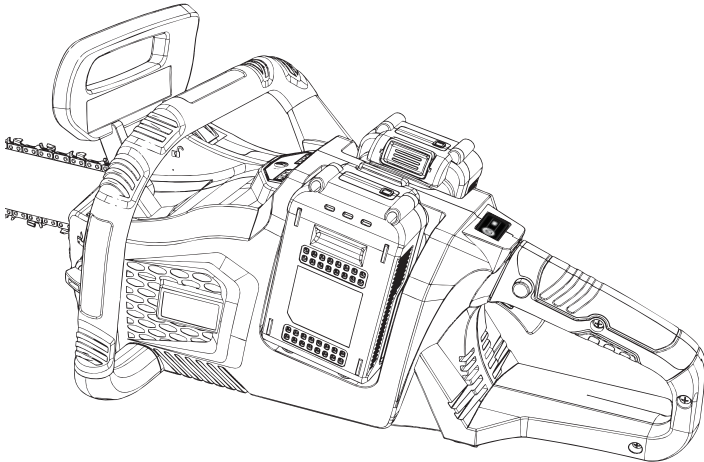
**WARNING:** NEVER tape down or defeat purpose and function of lock-off switch.



**CAUTION:** Before installing the battery pack into the tool, always check to see that the switch trigger actuates properly and returns to the "OFF" position when released.

**NOTICE:** Do not pull the switch trigger hard without pressing the lock-off switch. This can cause switch breakage.

To prevent the switch trigger from being accidentally activated, a lock-off switch is provided. To start the tool, depress the lock-off switch(11) and pull the switch trigger(13). Release the switch trigger to stop.



## Checking the chain brake

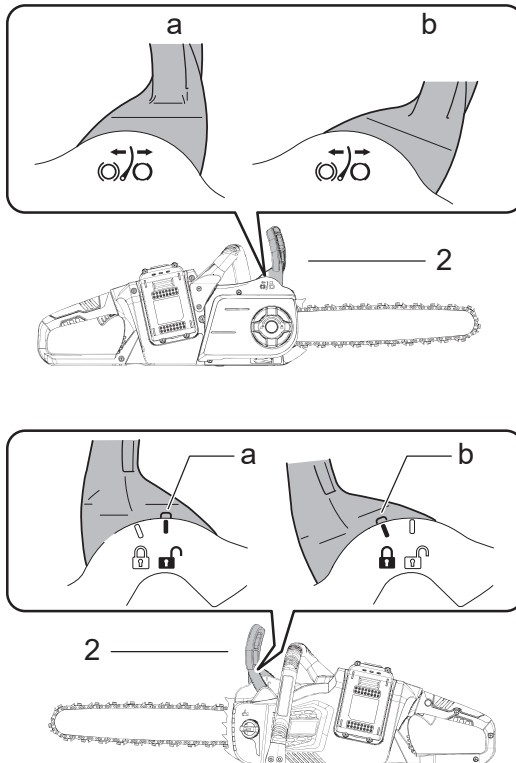


**CAUTION:** Hold the chain saw with both hands when switching it on. Hold the rear handle with your right hand, the front handle with your left. The bar and the chain must not be in contact with any object.



**CAUTION:** Should the saw chain not stop immediately when this test is performed, the saw may not be used under any circumstances. Consult our authorised service center.

1. Press the lock-off switch, then pull the switch trigger. The saw chain starts immediately.
2. Push the front hand guard forwards with the back of your hand. Make sure that the chain saw comes to an immediate standstill.



## 2. Front hand guard a. Unlocked position b. Locked position

## Checking the run-down brake



**CAUTION:** If the saw chain does not stop within one second in this test, stop using the chain saw and consult our authorised service center.

Run the chain saw then release the switch trigger completely. The saw chain must come to a standstill within one second.



## Lubrication

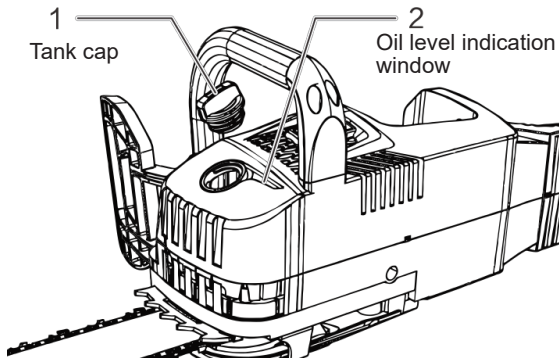
**IMPORTANT:** The chain saw is not filled with oil.

It is essential to fill with oil before use. Never operate the chain saw without chain oil or at an empty oil tank level, as this will result in extensive damage to the product.

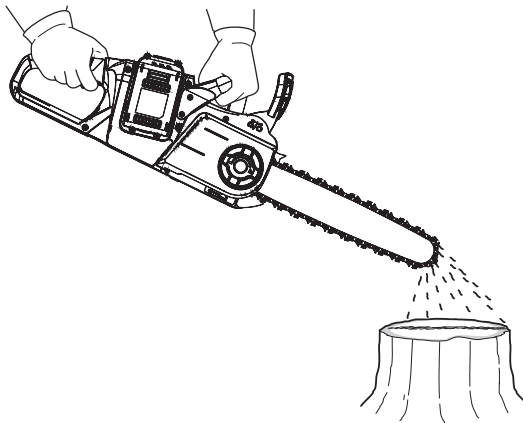
**NOTE:** Chain life and cutting capacity depend on optimum lubrication. The chain is automatically oiled during operation.

Saw chain is automatically lubricated when the tool is in operation. Check the amount of remaining oil in the oil tank periodically.

To refill the tank, lay the chain saw on its side and remove the oil tank cap. The maximum amount of oil is 200 ml. After refilling the tank, make sure that the oil tank cap is tightened securely.



After refilling, hold the chain saw away from the tree. Start it and wait until lubrication on saw chain is adequate.



**WARNING:** Remove the battery pack before filling the oil tank.

**NOTICE:** When filling the chain oil for the first time, or refilling the tank after it has been completely emptied, add oil up to the bottom edge of the filler neck. The oil delivery may otherwise be impaired.

**NOTICE:** Use the saw chain oil exclusively for chain saws or equivalent oil available in the market.

**NOTICE:** Never use oil including dust and particles or volatile oil.

**NOTICE:** When pruning trees, use botanical oil. Mineral oil may harm trees.

**NOTICE:** Before the cutting operation, make sure that the provided oil tank cap is screwed in place.

#### Operation with the chain saw



**CAUTION:** The first time user should, as a minimum practice, perform cutting logs on a saw-horse or cradle.



**CAUTION:** When sawing precut timber, use a safe support (saw horse or cradle). Do not steady the workpiece with your foot, and do not allow anyone else to hold or steady it.



**CAUTION:** Secure round pieces against rotation.



**CAUTION:** Keep all parts of the body away from the saw chain when the motor is operating.



**CAUTION:** Hold the chain saw firmly with both hands when the motor is running.



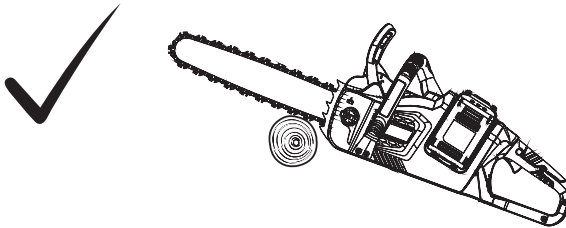
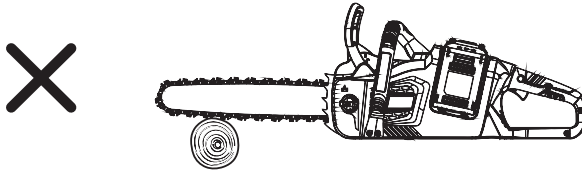
**CAUTION:** Do not overreach. Keep proper footing and balance at all times.

**NOTICE:** Never toss or drop the tool.

**NOTICE:** Do not cover the vents of the tool.

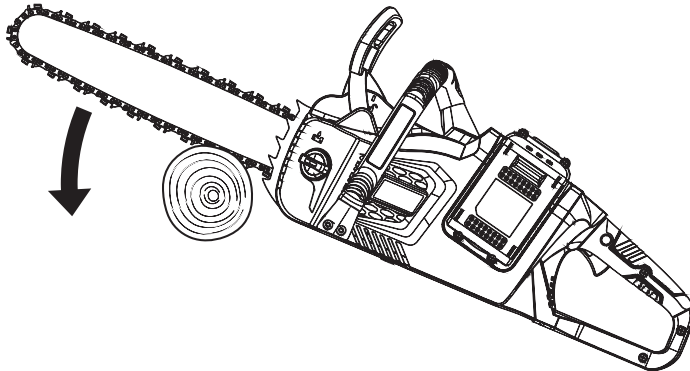
Bring the bottom edge of the chain saw body into contact with the branch to be cut before switching on.

Otherwise it may cause the guide bar to wobble or kick back, resulting in injury to the operator. Saw the wood to be cut by just moving it down by using the weight of the chain saw.



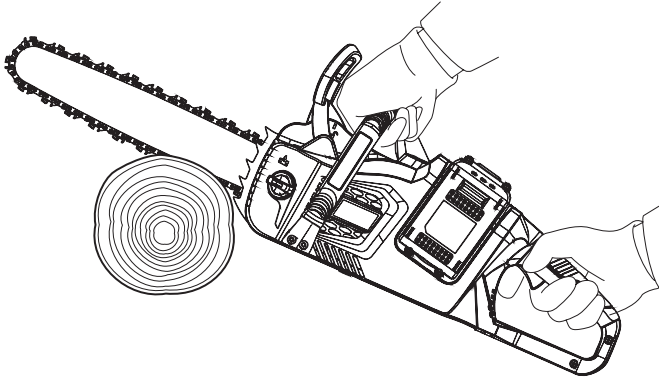
If you cannot cut the timber with a single stroke:

Apply light pressure to the handle and continue sawing and draw the chain saw back a little; then apply the spike bumper a little lower and finish the cut by raising the handle.



## Bucking

1. Rest the bottom edge of the chain saw body on the wood to be cut.

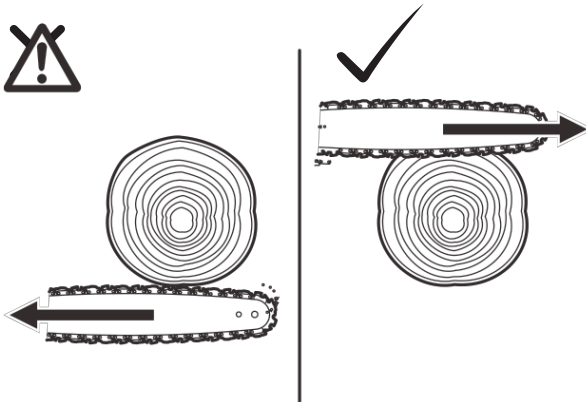


2. With the saw chain running, saw into the wood while using the rear handle to raise the saw and the front one to guide it. Use the spike bumper as a pivot.
3. Continue the cut by applying slight pressure to the front handle, easing the saw back slightly. Move the spike bumper further down the timber and raise the front handle again.

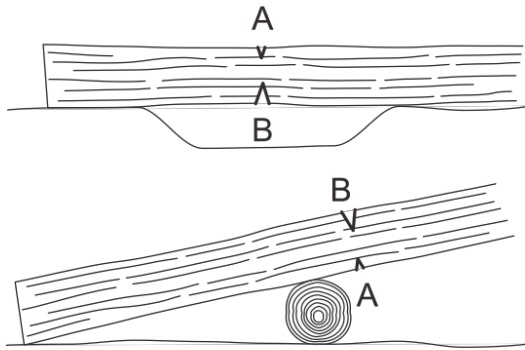
**NOTICE:** When making several cuts, switch the chain saw off between cuts.



**WARNING! Danger! Recommend not to cut with the upper edge of the bar. If the upper edge of the bar is used for cutting, the chain saw may deflect in your direction if the chain is trapped. Cut with the lower edge of the bar.**



When you cut wood under tension, cut the pressured side (A) first. Then make the final cut from the tensioned side (B). This prevents the bar from becoming trapped.



### Limbing



**CAUTION: Limbing may only be performed by trained persons. A hazard is presented by the risk of kickback.**

When limbing, support the chain saw on the trunk if possible. Do not cut with the tip of the bar, as this presents a risk of kickback.

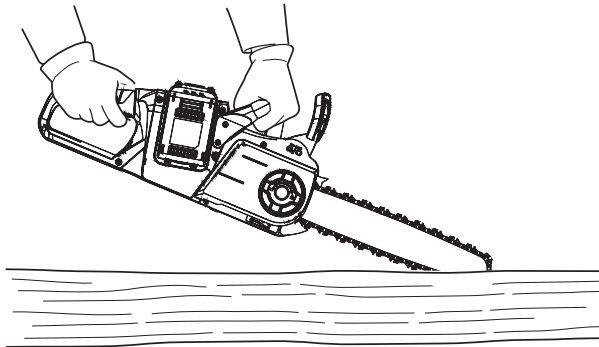
Pay particular attention to branches under tension. Do not cut unsupported branches from below. Do not stand on the felled trunk when limbing.

### Burrowing and parallel-to-grain cuts



**CAUTION: Burrowing and parallel-to-grain cuts may only be carried out by persons with special training. The possibility of kickback presents a risk of injury.**

Perform parallel-to-grain cuts at as shallow an angle as possible. Take an extra caution when carrying out the cut as the spike bumper cannot be used.

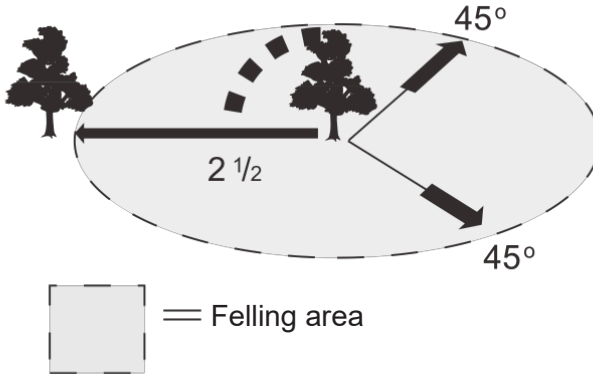


## Felling



**CAUTION: Felling work may only be performed by trained persons. The work is hazardous.**

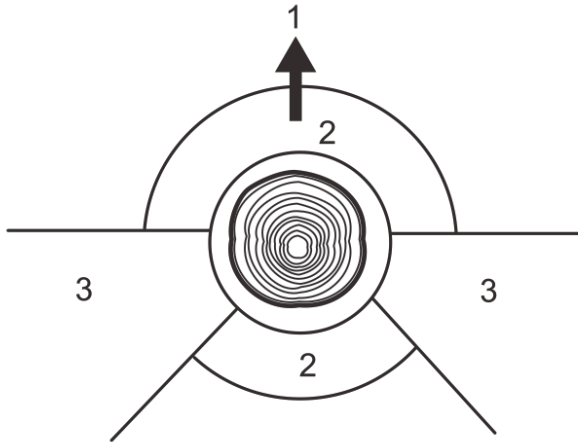
Observe local regulations if you wish to fell a tree.



### 1. Felling area

- Before starting felling work, ensure that:
  - Only persons involved in the felling operation are in the vicinity;
  - Any person involved has an unhindered path of retreat through a range of approximately 45° either side of the felling axis. Consider the additional risk of tripping over electrical cables;
  - The base of the trunk is free of foreign objects, roots and branches;
  - No persons or objects are present over a distance of 2.5 times tree lengths in the direction in which the tree will fall.
- Consider the following with respect to each tree:
  - Direction of lean;
  - Loose or dry branches;
  - Height of the tree;
  - Natural overhang;
  - Whether or not the tree is rotten.
- Consider the wind speed and direction. Do not carry out felling work if the wind is gusting strongly.
- Trimming of root swellings: Begin with the largest swellings. Make the vertical cut first, then the horizontal cut.
- Stand to the side of the falling tree. Keep an area clear to the rear of the falling tree up to an angle of 45° either side of the tree axis (refer to the “felling area”. Pay attention to falling branches.

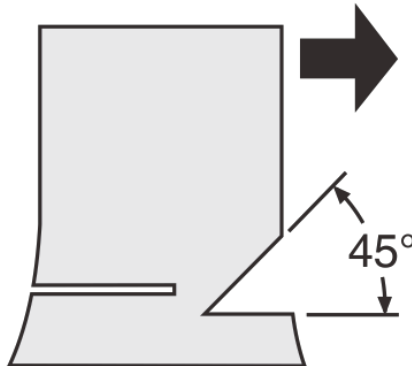
- An escape path should be planned and cleared as necessary before cuts are started. The escape path should extend back and diagonally to the rear of the expected line of fall as illustrated in figure.



**1. Felling direction 2. Danger zone 3. Escape route**

When felling trees, follow the procedures below:

1. Cut a scarf as close to the ground as possible. First make the horizontal cut to a depth of 1/5 - 1/3 of the trunk diameter. Do not make the scarf too large. Then make the diagonal cut.



**NOTE:** The scarf determines the direction in which the tree will fall, and guides it. It is made on the side towards which the tree is to fall.

2. Make the back cut a little higher than the base cut of the scarf. The back cut must be exactly horizontal. Leave approximately 1/10 of the trunk diameter between the back cut and the scarf. The wood fibers in the uncut trunk portion act as a hinge. Insert wedges into the back cut in time.

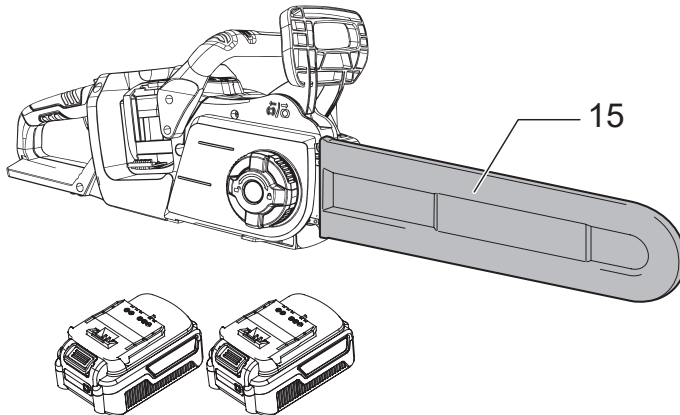


**WARNING:** Do not cut right through the fibers under any circumstances. The tree will otherwise fall unchecked.

**NOTICE:** Only plastic or aluminum wedges may be used to keep the back cut open. The use of iron wedges is prohibited.

#### Carrying tool

Before carrying the tool, always apply the chain brake and remove the battery packs from the tool. Then attach the guide bar cover.





## CARE AND CLEANING



**CAUTION:** Always be sure that the tool is switched off and the battery packs are removed before attempting to perform inspection or maintenance.



**CAUTION:** Always wear gloves when performing any inspection or maintenance.

**NOTICE:** Never use gasoline, benzine, thinner, alcohol or the like. Discoloration, deformation or cracks may result.

### Sharpening the saw chain

#### Sharpen the saw chain when:

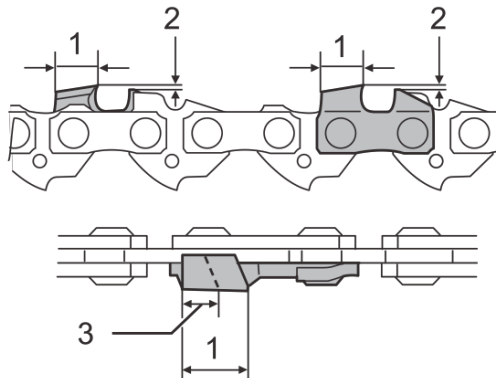
- Mealy sawdust is produced when damp wood is cut;
- The chain penetrates the wood with difficulty, even when heavy pressure is applied;
- The cutting edge is obviously damaged;
- The saw pulls to the left or right in the wood. (caused by uneven sharpening of the saw chain or damage to one side only)

Sharpen the saw chain frequently but a little each time. Two or three strokes with a file are usually sufficient for routine resharpening. When the saw chain has been resharpened several times, have it sharpened at our authorised service center.

#### Sharpening criteria:

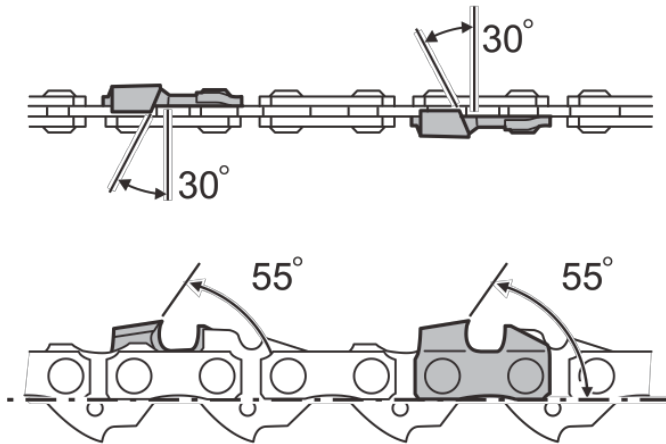


**WARNING:** An excessive distance between the cutting edge and depth gauge increases the risk of kickback.



1. Cutter length
2. Distance between cutting edge and depth gauge
3. Minimum cutter length (3 mm)

- All cutter lengths must be equal. Different cutter lengths prevent the saw chain from running smoothly and may cause the saw chain to break.
- Do not sharpen the chain when the cutter length has reached 3 mm or shorter. The chain must be replaced with a new one.
- The chip thickness is determined by the distance between the depth gauge (round nose) and the cutting edge.
- The best cutting results are obtained with following distance between cutting edge and depth gauge.
  - Chain blade 91PX: 0.65 mm (0.025")

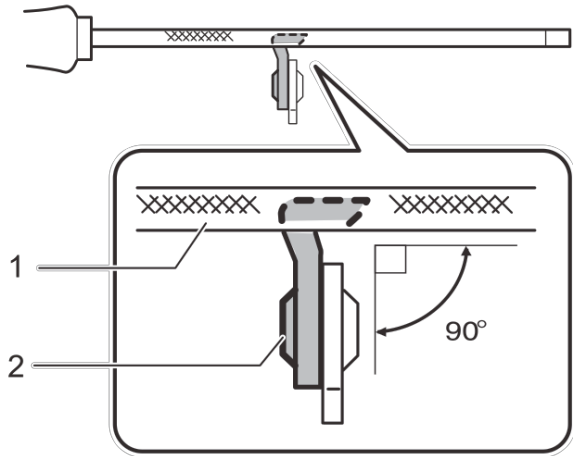


- The sharpening angle of 30° must be the same on all cutters. Different cutter angles cause the chain to run roughly and unevenly, accelerate wear, and lead to chain breaks.
- Use a suitable round file so that the proper sharpening angle is kept against the teeth.
  - Chain blade 91PX : 55°

### File and file guiding

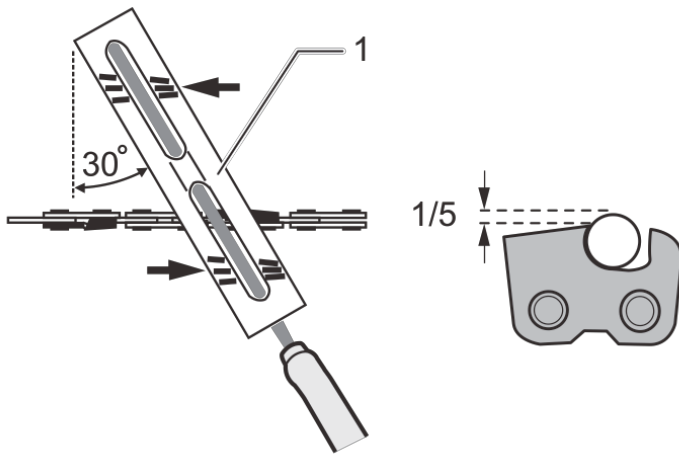
- Use a special round file (optional accessory) for saw chains to sharpen the chain. Normal round files are not suitable.
- Diameter of the round file for each saw chain is as follows:
  - Chain blade 91PX : 4.0 mm (5/32")
- The file should only engage the cutter on the forward stroke. Lift the file off the cutter on the return stroke.
- Sharpen the shortest cutter first. Then the length of this shortest cutter becomes the standard for all other cutters on the saw chain.

- Guide the file as shown in the figure.



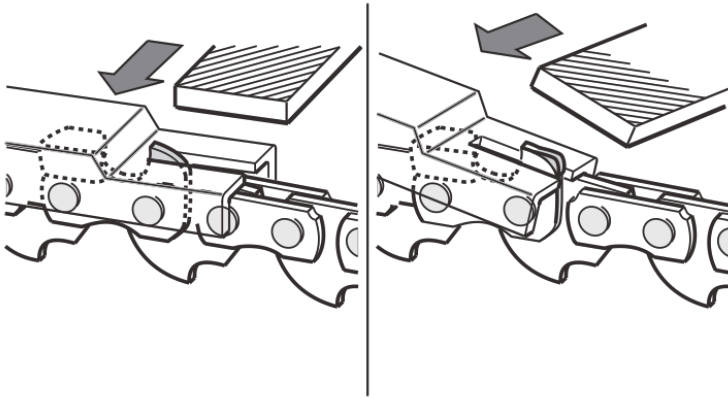
**1.File 2. Saw chain**

- The file can be guided more easily if a file holder (optional accessory) is used. The file holder has markings for the correct sharpening angle of 30° (align the markings parallel to the saw chain) and limits the depth of penetration (to 4/5 of the file diameter).



**1.File holder**

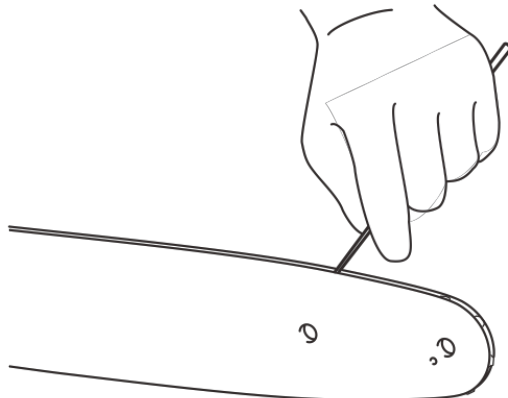
- After sharpening the chain, check the height of the depth gauge using the chain gauge tool (optional accessory).



- Remove any projecting material, however small, with a special flat file (optional accessory).
- Round off the front of the depth gauge again.

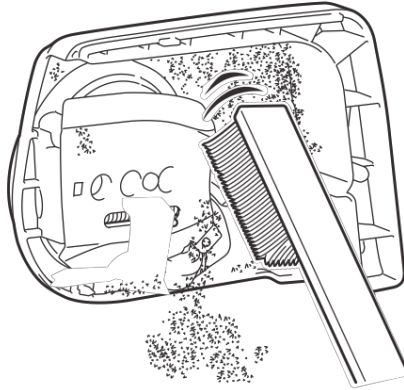
### **Cleaning the guide bar**

Chips and sawdust will build up in the guide bar groove. They may clog the bar groove and impair the oil flow. Clean out the chips and sawdust every time when you sharpen or replace the saw chain.



### Cleaning the sprocket cover

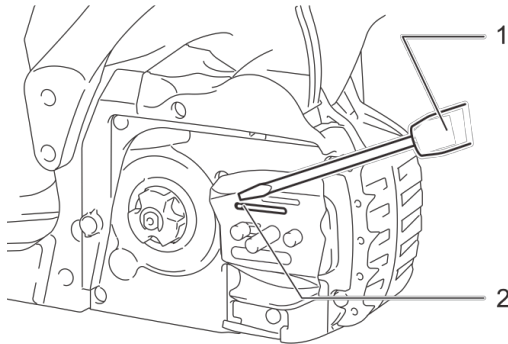
Chips and saw dust will accumulate inside of the sprocket cover. Remove the sprocket cover and saw chain from the tool then clean the chips and saw dust.



### Cleaning the oil discharge hole

Small dust or particles may build up in the oil discharge hole during operation. The dust particles may impair the oil to flow and cause insufficient lubrication on the whole saw chain. When a poor chain oil delivery occurs at the top of guide bar, clean the oil discharge hole as follows.

1. Remove the sprocket cover and saw chain from the tool.
2. Remove the small dust particles using a small slotted screwdriver or similar tool.



1.Slotted screwdriver 2.Oil discharge hole

3. Insert the battery packs into the tool. Pull the switch trigger to blow built-up dust or particles off the oil discharge hole by discharging chain oil.
4. Remove the battery packs from the tool. Reinstall the sprocket cover and saw chain on the tool.

## **Maintenance and storage of chain saw**

- 1) Remove the battery packs
  - When not in use
  - Before moving from one place to another
  - Before servicing
  - Before changing accessories or attachments, such as saw chain and guard
- 2) Inspect chain saw before and after each use. Check saw closely if guard or other part has been damaged. Check for any damage that may affect operator safety or operation of saw. Check for alignment or binding of moving parts. Check for broken or damaged parts. Do not use chain saw if damage affects safety or operation. Have damage repaired by authorised service center.
- 3) Maintain chain saw with care.
  - Never expose saw to rain or direct moisture.
  - Keep chain sharp, clean, and lubricated for better and safer performance.
  - Follow steps outlined in this manual to sharpen chain.
  - Keep handles dry, clean, and free of oil and grease.
  - Keep all screws and nuts tight.
- 4) When servicing, use only identical replacement parts.
- 5) When not in use, always store chain saw
  - in a high or locked place, out of children's reach
  - in a dry place
  - With bar and chain cover in place

To ensure long life, prevent damage and ensure the full functioning of the safety features, the following maintenance must be performed regularly. Warranty claims can only be recognised if this work is performed regularly and properly. Failure to perform the prescribed maintenance work can lead to accidents. The user of the chain saw must not perform maintenance work which is not described in the instruction manual. All such work must be carried out by our authorised service center.

Check item   Operating time		Before operation	Everyday	Every week	Every 3 month	Annually	Before storage
chain saw	Inspection.	√					
	Cleaning.		√				
	Check at authorized service center.					√	√
Saw chain	inspection	√					
	Sharpening if necessary.		√				√
Guide bar	Inspection.	√					
	Remove from the chain saw.						√
Chain brake	Check the function.	√					
	Have it inspected regularly at authorised service center.						
Chain lubrication	Check the oil feed rate.	√					
Switch trigger	Inspection.	√					
Lock-off lever	inspection.	√					
Oil tank cap	Check tightness.	√					
Chain catcher	Inspection.						
Screws and nuts	Inspection.						

To maintain product SAFETY and RELIABILITY, repairs, any other maintenance or adjustment should be performed by Toolstation service centre or a qualified service centre.

### For battery tools

The ambient temperature range for tool and battery use and storage is above 5°C or below 45°C.

The recommended ambient temperature range for the charging system during charging is above 5°C or below 45°C.

## TROUBLE SHOOTING

Use this section to help you to try and solve any problems you may have:

PROBLEMS	POSSIBLE CAUSES	REMEDIES
The chain saw does not start.	Two battery packs are not installed.	Install two charged battery packs.
	Battery problem (low voltage).	Recharge the battery packs. If recharging is not effective, replace the battery pack
	Main power switch is off.	The chain saw is automatically turned off if it is un-operated for a certain period. Turn on the main power switch again.
The saw chain does not run.	Chain brake activated.	Release chain brake.
The motor stops running after a little use.	Battery's charge level is low.	Recharge the battery packs. If recharging is not effective, replace the battery pack.
No oil on the chain.	Oil tank is empty.	Fill the oil tank.
	Oil guide groove is dirty.	Clean the groove.
	Poor oil delivery.	Adjust the amount of oil delivery with the adjusting screw.
The chain saw does not reach maximum RPM.	Battery pack is installed improperly.	Install the battery packs as described in this manual.
	Battery power is dropping.	Recharge the battery packs. If recharging is not effective, replace the battery pack.
	The drive system does not work correctly.	Ask the authorized service center in your region for repair.
The main power indicator is blinking.	Switch trigger is pulled under an unoperable condition.	Pull the switch trigger after the main power is in an operable condition.
Chain does not stop even the chain brake is activated: Stop the machine immediately!	The brake band is worn down.	Ask the authorized service center in your region for repair.



Abnormal vibration: Stop the machine immediately!	Loose guide bar or saw chain.	Adjust the guide bar and saw chain tension.
	Tool malfunction	Ask the authorized service center in your region for repair.

**NOTE: IF YOU EXPERIENCE A PROBLEM WITH YOUR TOOL, PLEASE DO NOT ATTEMPT TO OPEN OR REPAIR THE TOOL YOURSELF. DOING SO MAY VOID THE WARRANTY AND COULD CAUSE DAMAGE OR PERSONAL INJURY. IF THE PROBLEM STILL PERSISTS, PLEASE CONTACT US BY REFERRING TO THE SERVICE & SUPPORT INFORMATION ON THE FOLLOWING PAGE.**

## DECLARATION OF CONFORMITY / PERFORMANCE



**Product Code: 44892 (RLC40HD-SM)**

**Product Description: Hawksmoor 36V (2 x 18V) 40cm Brushless Cordless Chainsaw 2 x 4.0Ah**

1. Toolstation Limited, Express Park, Bristol Road, Bridgwater, Somerset TA6 4RN

This declaration of conformity is issued under the sole responsibility of Toolstation

2. Object of the declaration

The object of the declaration described above is in conformity with the relevant Community harmonization legislation:

Supply of Machinery (Safety) Regulations 2008

Electromagnetic Compatibility Regulations 2016

Noise Emission in the Environment by Equipment for use Outdoors Regulations 2001

The Restriction of the Use of Certain Hazardous Substances in Electrical and Electronic Equipment Regulations 2012

Electrical Equipment (Safety) Regulations 2016

3. References to the relevant standards used (or references to the specifications in relation to which conformity is declared:

BS EN 62841-1, BS EN62841-4-1, BS EN IEC 55014-1, BS EN IEC 55014-2

BS EN 61000-3-2; BS EN 61000-3-3; BS EN 60335-2-29; BS EN 62233

4. Additional information:

Signed for and on behalf of Toolstation Limited

## ENVIRONMENTAL INFORMATION



The symbol on the product or its packaging indicates that this product must not be disposed of with your other household waste. Instead, it is your responsibility to dispose of your waste equipment by handing it over to a designated collection point for the recycling of waste electrical and electronic equipment. The separate collection and recycling of your waste equipment at the time of disposal will help conserve natural resources and ensure that it is recycled in a manner that protects human health and the environment. For more information about where you can drop off your waste for recycling, please contact your local authority, or where you purchased your product.

## GUARANTEE

Toolstation products deliver reliable service for normal, household use in domestic settings. All Toolstation products are individually tested before leaving the factory.

If you are a consumer and you experience a problem with your Toolstation product, which is found to be defective due to faulty materials or workmanship within the Guarantee Period, this Toolstation Guarantee will cover repair or - at the discretion of Toolstation - replacement with a functionally equivalent Toolstation product.

Your product is under guarantee for 2 years from the date of purchase or the date of delivery of the product, if later.

The guarantee is subject to the following provisions:

- The guarantee does not cover accidental damage, misuse, cabinet parts, knobs, or consumable items.
- The product must be correctly installed and operated in accordance with the instructions contained in this manual.
- It must be used solely for domestic purpose.
- The guarantee will be rendered invalid if the product is re-sold or has been damaged by inexpert repair.
- Specifications are subject to change without notice.
- The manufacturer disclaims any liability for the incidental or consequential damages.
- The guarantee is in addition to, and does not diminish your statutory or legal rights.

## CUSTOMER SUPPORT

[www.coreservice.co.uk](http://www.coreservice.co.uk)

Call us +44 01904 947568

Email: [support@coreservice.co.uk](mailto:support@coreservice.co.uk)

Made in China