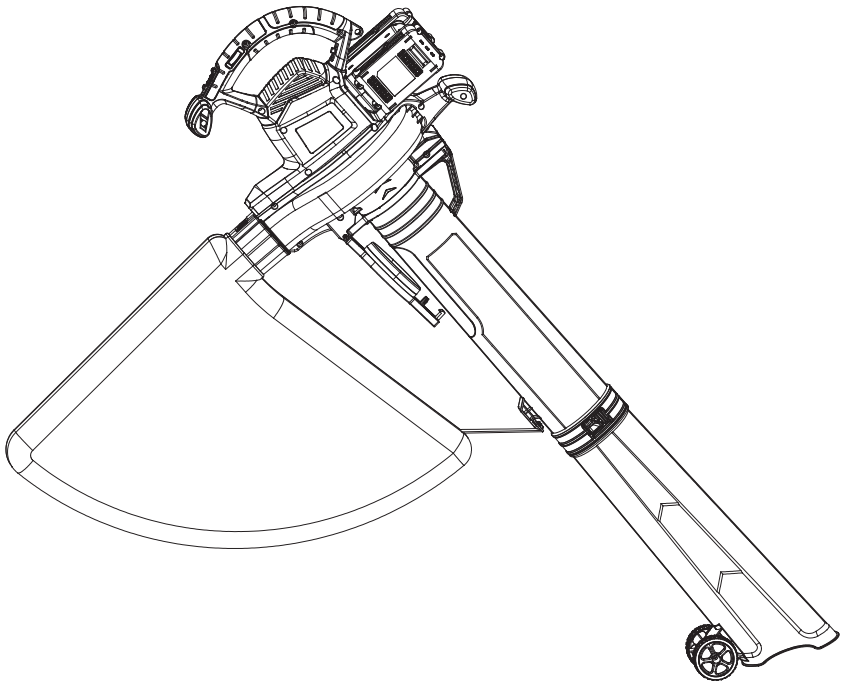




Original User's Instructions

# 36V (2 x 18V) Cordless Blower Vac

SKU: 33103



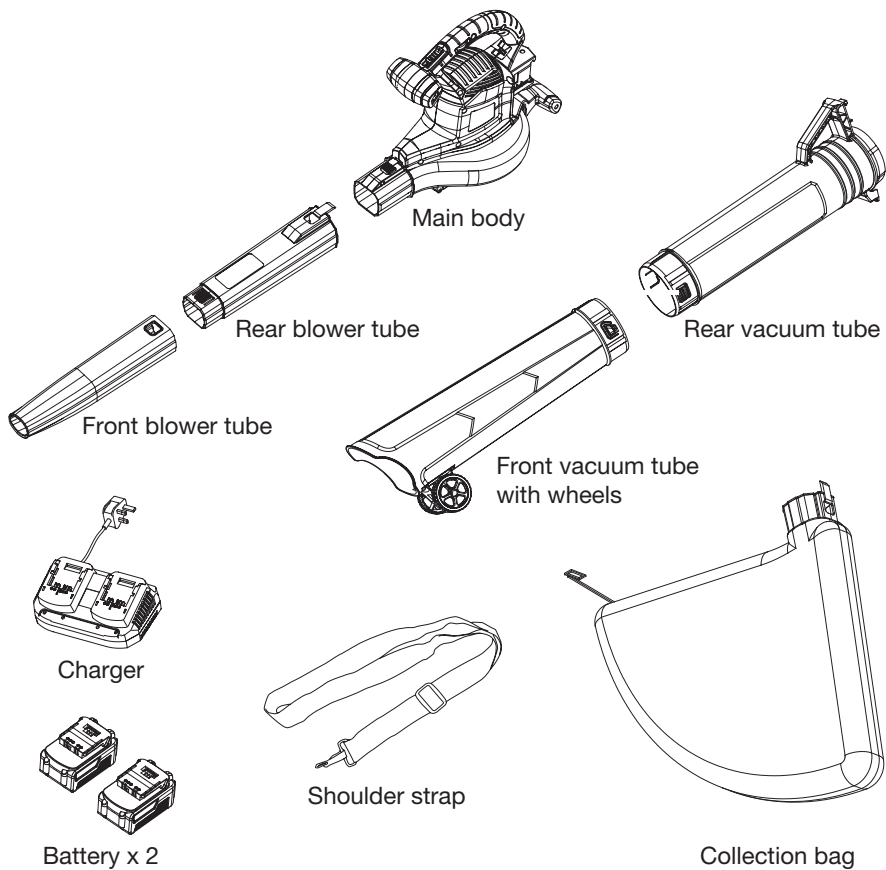
**READ BEFORE USE**

**PLEASE KEEP THESE INSTRUCTIONS FOR FURTHER REFERENCE**

## CONTENT

• WHAT'S IN THE BOX -----	3
• SPECIFICATIONS -----	4
• EXPLANATIONS AND SYMBOLS, CAUTIONS AND WARNINGS -----	5
• IMPORTANT SAFETY WARNINGS -----	8
• PRODUCT DESCRIPTION AND IDENTIFICATIONS -----	20
• ASSEMBLY AND OPERATING INSTRUCTIONS -----	21
• CARE AND CLEANING -----	34
• TROUBLE SHOOTING -----	35
• DECLARATION OF CONFORMITY / PERFORMANCE -----	36
• ENVIRONMENTAL INFORMATION -----	37
• GUARANTEE -----	38
• CUSTOMER SUPPORT -----	38

## WHAT'S IN THE BOX



If you do not have all these items, please contact:  
[www.coreservice.co.uk](http://www.coreservice.co.uk)  
Hotline: +44 01904 947568  
Email [support@coreservice.co.uk](mailto:support@coreservice.co.uk)

## SPECIFICATION

Technical Data	
Model Number	ASYBV01
Rated voltage	36V (2x18V)
No load speed	7500-14000/min
Max air speed	Max. 288km/h
Max suction power	Max. 10m <sup>3</sup> /min
Sound pressure level	L <sub>pA</sub> =86.4dB(A); K=3.0dB(A);
Sound power level	L <sub>WA</sub> =106.4dB(A); K=3.0dB(A)
Guaranteed sound power level	L <sub>WA</sub> =109dB(A)
Collection bag capacity	45L
Battery pack model	B0P-SP06-18ZK
Battery capacity	4Ah
Battery charging time	Max.120min
Battery charger model	B0Q-SP07-2040ZB
Battery charger input	220-240V~, 50/60Hz 120W
Battery charger output	21V d.c. 4A
Charger protection class	Class II
Accessories Part Number	
AJBB011022	Collection bag
AJBB011023	Shoulder strap

**Note: The above specifications are the MAXIMUM capacities of the tool. Voltage measured without workload. Initial battery voltage reaches 20 Volts. Nominal voltage is 18 Volts.**

## EXPLANATIONS AND SYMBOLS, CAUTIONS AND WARNINGS



Read the user's instruction manual and follow all instructions in this manual before attempting to assemble and operate the machine.



Safety alert – Indicates a precaution, a warning or a danger.



Beware of flying objects and debris.



Risk of injury from rotating impeller. Keep hands away



**STOP**

The rotating part will continuously run for several seconds after you turn off the machine. Keep hands and feet away from openings while the machine is running.



Keep bystanders and children a safe distance away.



Do not expose the unit to rain or wet conditions.



Wear hearing protection.



Wear eye protection.



Wear a mask.



DANGER! Rotating impellers pose a serious risk of injury.



Keep hair, clothing, and all body parts away from the air intake or any openings. Secure hair above shoulders and behind head. Do not let your hair or clothing get drawn into the appliance. Failure to keep hair, clothing, or body parts away from air intake could result in personal injury.



Do not throw into water.



Do not throw on fire.



Do not subject the battery to strong sunlight over long periods of time. Do not leave on a heater (max.45°C).



Batteries contain Li-ion. Do not dispose of waste batteries in domestic waste. Contact local authority to find out how to dispose of batteries.

Li-Ion



To reduce the risk of injury, user must read instruction manual carefully.



The charger is for indoor use only.



Double insulation.



T5A

Protective 5A limited



WEEE symbol. Waste electrical products should not be disposed of with household waste. Please recycle where facilities exist. Check with your Local Authority or local store for recycling advice.



The product complies with the applicable European directives and an evaluation method of conformity for these directives was done.



UK conformity assessed

## IMPORTANT SAFETY WARNINGS

### General Power Tool Safety Warnings



**Warning:** Please read the following instructions carefully, failure to do so could lead to serious personal injury. When using the electric blower vac, basic safety precautions, including the following, should always be followed to reduce the risk of fire, electric shock and personal injury. Read all these instructions before operating this product and save these instructions.

The term “power tool” in the warnings refers to your mains-operated (corded) power tool or battery-operated (cordless) power tool.

Become familiar with the owner’s manual before attempting to operate this machine.

- This machine is not intended for use by persons (including children) with reduced physical, sensory or mental capabilities, or lack of experience and knowledge, unless they have been given supervision or instruction concerning use of the appliance by a person responsible for their safety.
- Children should be supervised to ensure that they do not play with the appliance.
- The machine is only to be used with the power supply unit provided with the machine.

**Important! Read carefully before use, keep for further reference.**



## **Work Area Safety**

- Keep work area clean and well lit. Cluttered or dark areas invite accidents.
- Do not operate power tools in explosive atmospheres, such as in the presence of flammable liquids, gases or dust. Power tools create sparks which may ignite the dust or fumes.
- Keep children and bystanders away while operating a power tool. Distractions can cause you to lose control.

## **Electrical Safety**

- Power tool plugs must match the outlet. Never modify the plug in any way. Do not use any adapter plugs with earthed (grounded) power tools. Unmodified plugs and matching outlets will reduce risk of electric shock.
- Avoid body contact with earthed or grounded surfaces, such as pipes, radiators, ranges and refrigerators. There is an increased risk of electric shock if your body is earthed or grounded.
- Do not expose power tools to rain or wet conditions. Water entering a power tool will increase the risk of electric shock.
- Do not abuse the cord. Never use the cord for carrying, pulling or unplugging the power tool. Keep cord away from heat, oil, sharp edges or moving parts. Damaged or entangled cords increase the risk of electric shock.
- When operating a power tool outdoors, use an extension cord suitable for outdoor use. Use of a cord suitable for outdoor use reduces the risk of electric shock.
- If operating a power tool in a damp location is unavoidable, use a residual current device (RCD) protected supply. Use of an RCD reduces the risk of electric shock.

- Power tools can produce electromagnetic fields (EMF) that are not harmful to the user. However, users of pacemakers and other similar medical devices should contact the maker of their device and/ or doctor for advice before operating this power tool.

## **Personal Safety**

- Stay alert, watch what you are doing and use common sense when operating a power tool. Do not use a power tool while you are tired or under the influence of drugs, alcohol or medication. A moment of inattention while operating power tools may result in serious personal injury.
- Use personal protective equipment. Always wear eye protection. Protective equipment such as dust mask, non-skid safety shoes, hard hat, or hearing protection used for appropriate conditions will reduce personal injuries.
- Prevent unintentional starting. Ensure the switch is in the off-position before connecting to power source and/or battery pack, picking up or carrying the tool. Carrying power tools with your finger on the switch or energizing power tools that have the switch on invites accidents.
- Remove any adjusting key or wrench before turning the power tool on. A wrench or a key left attached to a rotating part of the power tool may result in personal injury.
- Do not overreach. Keep proper footing and balance at all times. This enables better control of the power tool in unexpected situations.
- Dress properly. Do not wear loose clothing or jewelry. Keep your hair and clothing away from moving parts. Loose clothes, jewelry or long hair can be caught in moving parts.
- If devices are provided for the connection of dust extraction and collection facilities, ensure these are connected and properly used. Use of dust collection can reduce dust-related hazards.

- Do not let familiarity gained from frequent use of tools allow you to become complacent and ignore tool safety principles. A careless action can cause severe injury within a fraction of a second.

## **Power Tool Use and Care**

- Do not force the power tool. Use the correct power tool for your application. The correct power tool will do the job better and safer at the rate for which it was designed.
- Do not use the power tool if the switch does not turn it on and off. Any power tool that cannot be controlled with the switch is dangerous and must be repaired.
- Disconnect the plug from the power source and/or remove the battery pack, if detachable, from the power tool before making any adjustments, changing accessories, or storing power tools. Such preventive safety measures reduce the risk of starting the power tool accidentally.
- Store idle power tools out of the reach of children and do not allow persons unfamiliar with the power tool or these instructions to operate the power tool. Power tools are dangerous in the hands of untrained users.
- Maintain power tools and accessories. Check for misalignment or binding of moving parts, breakage of parts and any other condition that may affect the power tool's operation. If damaged, have the power tool repaired before use. Many accidents are caused by poorly maintained power tools.
- Keep cutting tools sharp and clean. Properly maintained cutting tools with sharp cutting edges are less likely to bind and are easier to control.

- Use the power tool, accessories and tool bits etc. in accordance with these instructions, taking into account the working conditions and the work to be performed. Use of the power tool for operations different from those intended could result in a hazardous situation.
- Keep handles and grasping surfaces dry, clean and free from oil and grease. Slippery handles and grasping surfaces do not allow for safe handling and control of the tool in unexpected situations.
- When using the tool, do not wear cloth work gloves which may be entangled. The entanglement of cloth work gloves in the moving parts may result in personal injury.

## **Service**

- Have your power tool serviced by a qualified repair person using only identical replacement parts. This will ensure that the safety of the power tool is maintained.

## **Product Safety Warnings**

### **Training**

- Read the instructions carefully. Be familiar with the controls and the correct use of the machine.
- Never allow children, persons with reduced physical, sensory or mental capabilities or lack of experience and knowledge or people unfamiliar with these instructions to use the machine. Local regulations may restrict the age of the operator.
- Never operate the machine while people, especially children, or pets are nearby.
- Keep in mind that the operator or user is responsible for accidents or hazards occurring to other people or their property.

## **Preparation**

- Always wear substantial footwear and long trousers while operating the machine.
- Do not wear loose clothing or jewellery that can be drawn into the air inlet. Keep long hair away from the air inlets.
- Always wear protective goggles to protect your eyes from injury when using power tools. It is an employer's responsibility to enforce the use of appropriate safety protective equipment by the tool operators and by other persons in the immediate working area.
- To prevent dust irritation the wearing of a face mask is recommended.
- While operating the machine, always wear non-slip and protective footwear. Non-skid, closed-toed safety boots and shoes will reduce the risk of injury.
- Use personal protective equipment. Always wear eye protection. Protective equipment such as a dust mask, non-skid safety shoes, hard hat or hearing protection used for appropriate conditions will reduce personal injuries.
- Always perform a visual check before use to ensure that the shredder, the bolts of the shredder and other fasteners are secure, that the housing is not damaged and that the protective equipment and shields are all in place. If any components are worn or damaged, replace the complete set to maintain balance. Replace any damaged or illegible labels.

## **Cordless Blower Vac Safety Warnings:**

- Use the tool only with specifically designated battery packs. Use of any other battery packs will increase the risk of injury and fire.

- Switch off the machine and remove the battery packs and make sure that all moving parts have come to a complete stop
  - whenever you leave the machine.
  - before clearing blockages.
  - before checking, cleaning or working on the machine.
  - if the machine starts to vibrate abnormally.
- Only operate the product in daylight or in good artificial light.
- Do not overreach and keep proper balance and footing at all times.
- Always be sure of your footing on slopes.
- Walk, never run.
- Keep all cooling air inlets clear of debris.
- Never blow debris in the direction of bystanders.
- Operate the machine in a recommended position and on a firm surface.
- Do not operate the machine at high places.
- Never point the blower tube air outlet or nozzle at anyone in the vicinity when using the machine.
- Never block blower outlet or vac air inlet.
- Be careful not to block blower outlet or vac air inlet with dust or dirt when operating in dusty area.
- Do not use the blower to inflate balls, rubber boat or the similar.
- Do not operate the machine near open window, etc.
- Operating the machine only at reasonable hours is recommended -not early in the morning or late at night when people might be disturbed.
- Using rakes and brooms to loosen debris before blowing or vacuuming is recommended.

- If the machine strikes any foreign objects or should start making any unusual noise or vibration, immediately switch off the machine to stop it. Remove the battery packs from the machine and inspect the machine for damage before restarting and operating the machine. If the machine is damaged, ask Toolstation Authorised Service Centre for repair.
- Do not insert fingers or other objects into blower outlet or vac inlet.
- Prevent unintentional starting. Ensure the switch is in the off-position before inserting battery pack, picking up or carrying the machine. Carrying the machine with your finger on the switch may cause an accident.
- Do not operate the device on a cobbled or gravel surface where discharged material could inflict injury.
- Never blow or vacuum dangerous materials, such as nails, fragments of glass, stones or blades.
- Do not operate the machine near flammable materials.
- Avoid operating the machine for a long time in low temperature environment.

### **Safety Warning For Battery Pack**

- Fully charge battery packs before the first use.
- Recharge battery packs when the power output starts to slow. **Do not continue to use product when battery capacity level is low.**
- To prevent serious damage to the battery pack, charge in temperatures above 5°C or below 45°C. Longest life and best performance can be achieved when battery is charged at room temperature (20 °C ± 5 °C).
- If the battery temperature is hot after use, it must be allowed to cool before putting it into the charging station.
- If the battery pack becomes too hot during charging, disconnect

and switch off immediately. Contact the service center directly.

- **Do not dismantle, open or shred cells or battery pack.**
- **Do not short-circuit a battery pack.** Do not store battery packs haphazardly in a box or drawer where they may short-circuit each other or be short-circuited by conductive materials. **When battery pack is not in use, keep it away from other metal objects, like paper clips, coins, keys, nails, screws or other small metal objects, that can make a connection from one terminal to another. Shorting the battery terminals together may cause burns or a fire.**
- Do not carry individual battery packs in your pockets or bag as they could short-circuit against other metal items.
- Do not expose battery pack to heat or fire. Avoid use or storage in direct sunlight for extended periods of time.
- Do not subject battery pack to mechanical shock.
- In the event of battery leakage, do not allow the liquid to come into contact with the skin or eyes. If contact has been made, wash the affected area with copious amounts of water and seek medical advice.
- Should a Li-ion battery catch fire, ensure to use the correct fire extinguisher to combat the fire. Do not throw or spray water on a burning Li-ion battery.
- Keep battery pack clean and dry. Wipe the battery pack terminals with a clean dry cloth if they become dirty.
- Battery pack needs to be charged before use. Always refer to this instruction manual and use the correct charging procedure.
- Do not maintain battery pack on charge when not in use.
- After extended periods of storage, it may be necessary to charge and discharge the battery pack several times to obtain maximum performance.



- Battery pack gives its best performance when it is operated at normal room temperature ( $20\text{ }^{\circ}\text{C} \pm 5\text{ }^{\circ}\text{C}$ ).
- When disposing of battery packs, keep battery packs of different electrochemical systems separate from each other.
- Recharge only with the charger specified by manufacturer. Do not use any charger other than that specifically provided for use with the equipment. A charger that is suitable for one type of battery pack may create a risk of fire when used with another battery pack.
- Do not use any battery pack which is not designed for use with the equipment.
- Keep battery pack out of the reach of children.
- Retain the original product literature for future reference.
- Remove the battery from the equipment when not in use.
- Dispose of properly.
- Do not mix cells of different manufacture, capacity, size or type within a device.
- Do not remove battery pack from its original packaging until required for use.

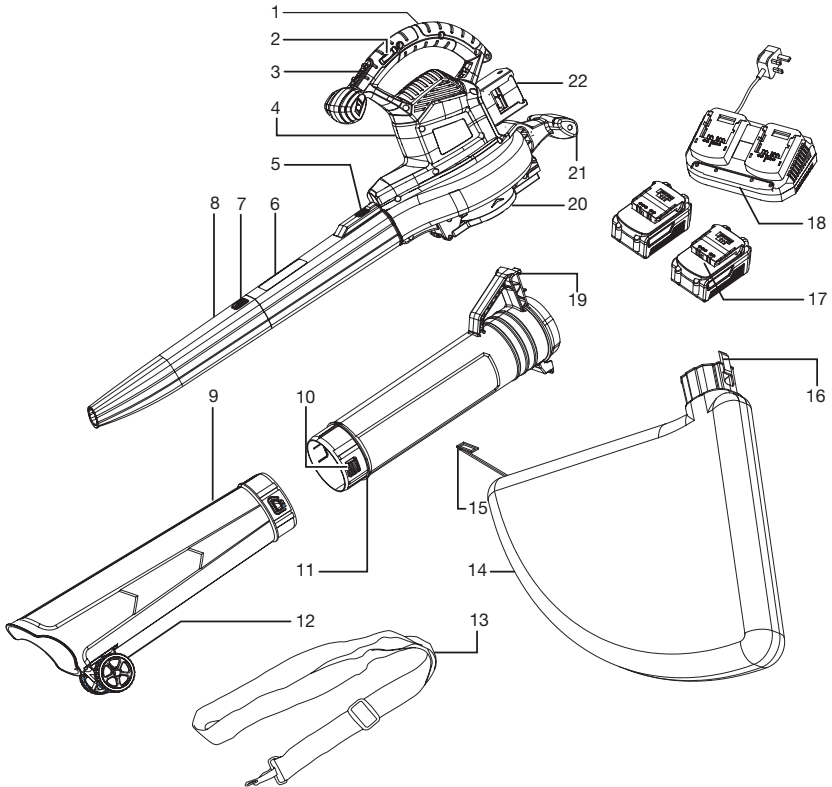
### **Safety Warning For Battery Charger**

- Charge only battery pack of the same model provided by manufacturer and of models recommended by manufacturer.
- Do not use the original charger on other Li-ion batteries or on any other type of battery as this can increase the risk of fire or explosion.
- Check the battery charger, cable and plug before each use. Do not use the battery charger if damaged. Do not open the battery charger yourself, charger must be repaired by qualified personnel using original spare parts.
- The charger is designed to use a standard household 220-240 V~ 50Hz power source, ensure that the plug matches the outlet.

- Never modify the plug in any way, this will reduce the risk of electric shock.
- Do not abuse the cord of charger. Never use the cord for carrying, pulling or unplugging the charger. Keep cord away from heat, oil, sharp edges or moving parts. Damaged or entangled cords increase the risk of electric shock.
- Make sure the charger cord is situated so that it will not be stepped on, tripped over or get damaged.
- If the supply cord is damaged, it must be replaced by the manufacturer, its service agent or similarly qualified persons in order to avoid a hazard.
- Keep the battery charger clean. Contamination can increase the risk of electric shock.
- Protect the battery charger from rain and moisture. If water accesses the battery charger there is an increased risk of electric shock.
- Battery will heat up whilst charging. When charging batteries, ensure that the battery charger is in a well-ventilated area and to reduce the risk of fire, do not operate battery charger on or close to inflammable materials such as paper or textiles.
- Do not overcharge any batteries. Ensure that batteries and chargers are not left unsupervised during charging.
- The temperature range over which the battery pack can be charged is typically between 5°C-45°C. Attempts to charge out with the prescribed temperature range may automatically be blocked by the protection circuitry of the battery pack. Longest life and best performance can be obtained if the battery pack is charged at room temperature.
- Disconnect charger from the power supply when not in use. This will reduce the risk of electric shock or damage to the charger.

- This charger can be used by children aged from 8 years and above and persons with reduced physical, sensory or mental capabilities or lack of experience and knowledge if they have been given supervision or instruction concerning use of the appliance in a safe way and understand the hazards involved.
- Children shall not play with the appliance. Cleaning and user maintenance shall not be made by children without supervision.

## PRODUCT DESCRIPTION AND IDENTIFICATIONS



- |   |  |
|---|--|
| <ol style="list-style-type: none"> <li>1. Handle grip</li> <li>2. Variable speed control (speed settings 1 to 6)</li> <li>3. On/Off switch</li> <li>4. Motor housing</li> <li>5. Tube release button</li> <li>6. Rear blower tube</li> <li>7. Blower tube locking protrusion</li> <li>8. Front blower tube</li> <li>9. Front vacuum tube</li> <li>10. Vacuum tube locking protrusion</li> <li>11. Rear vacuum tube</li> </ol> | <ol style="list-style-type: none"> <li>12. Vacuum tube wheels (2)</li> <li>13. Shoulder strap</li> <li>14. Collection bag</li> <li>15. Collection bag strap</li> <li>16. Collection bag adapter</li> <li>17. Battery pack</li> <li>18. Charger</li> <li>19. Rear vacuum tube locking clip</li> <li>20. Vacuum/Shredder inlet cover</li> <li>21. Auxiliary handle</li> <li>22. Battery ports</li> </ol> |
|---|--|

**Not all the accessories illustrated or described are included in standard delivery.**

## ASSEMBLY AND OPERATING INSTRUCTIONS



**NOTE:** To reduce the risk of injury, user must read instruction manual.

### Intended Use

This product is intended for domestic leaf blowing or vacuuming.



**WARNING:** Before assembly and adjusting to the blower vac, ensure the blower vac is turned off and the battery packs are removed.

### ASSEMBLY



**WARNING!** To avoid serious personal injury, read and understand all safety instructions provided.



**WARNING!** Do not insert batteries until assembly is complete. Failure to comply could result in accidental starting and possible serious personal injury.



**WARNING!** Before performing any maintenance, make sure the batteries are removed from the tool. Failure to heed this warning could result in serious personal injury.

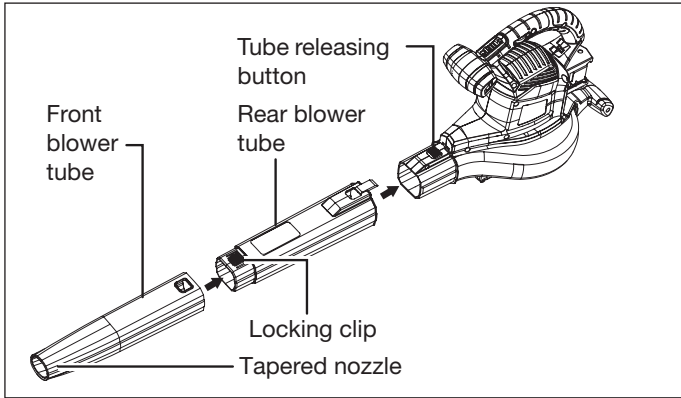


**WARNING!** To prevent serious personal injury, make sure the switch is in the OFF (O) position, the batteries are disconnected and the impeller has come to a complete stop before attaching or removing tubes.

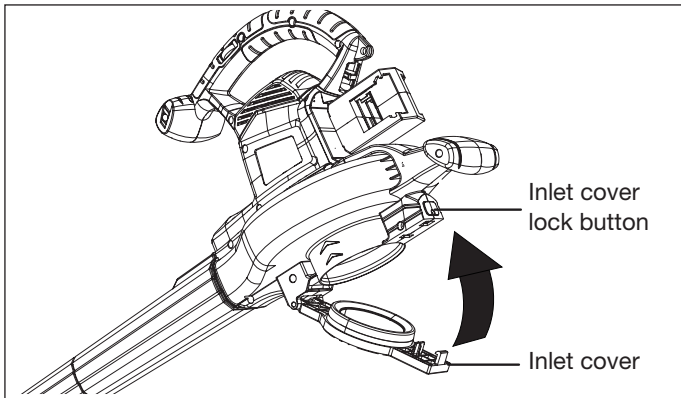
### Assemble as a Blower

1. Slide the rear blower tube forward until the tube releasing button on the air outlet duct clicks into the hole on the blower tube.
2. Slide the front blower tube onto the rear blower tube until the locking clip on the rear blower tube clicks into the hole on the front blower tube.

**NOTE:** The front blower tube is equipped with a tapered nozzle, which is used to increase air flow in restricted areas (i.e around flower beds, under decks, etc.)

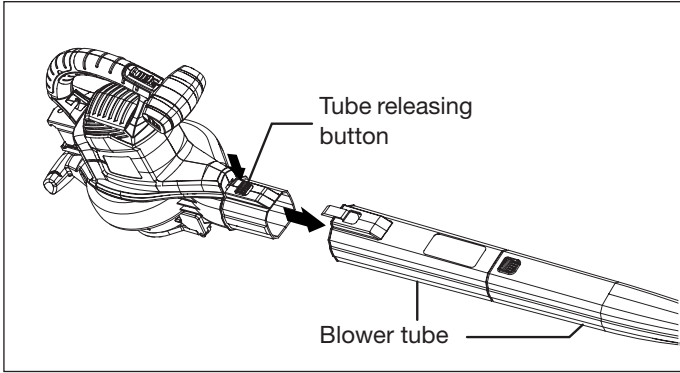


3. Before using the blower function, securely fasten the inlet cover over the air inlet by closing the inlet cover until the lock button clicks and locks.



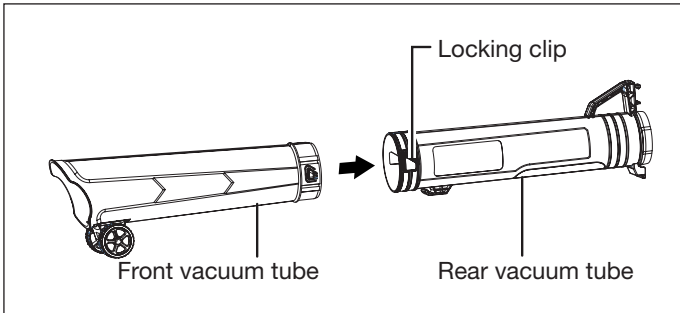
4. To remove the blower tube, turn the ON/OFF power switch to the OFF (O) position and remove both batteries.

5. Press the tube release button and remove the blower tube.

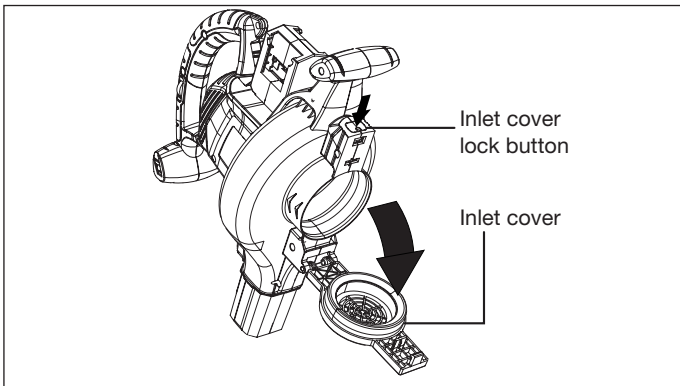


**Assemble as a Vacuum/Leaf shredder**

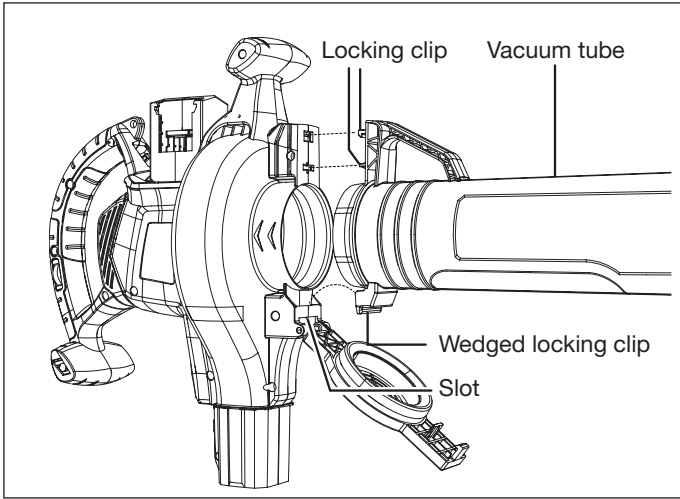
1. Slide the front and rear vacuum tubes together until the locking clip on both sides fully engages.



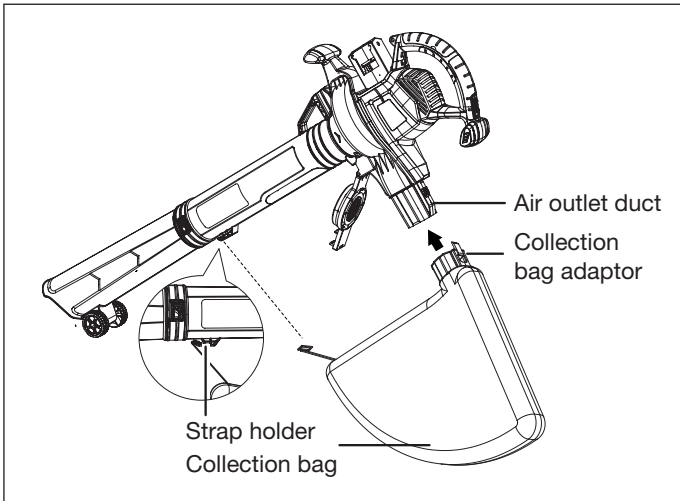
2. Press inlet cover lock button forward to disengage the inlet cover. Hold the cover open.



3. With the blower tube removed, insert the "wedged" end of the rear vacuum tube into the slot on the unit. Securely fasten the rear vacuum tube by pushing the 2 locking clips on the rear vacuum tube until they snap into the holes on the housing.

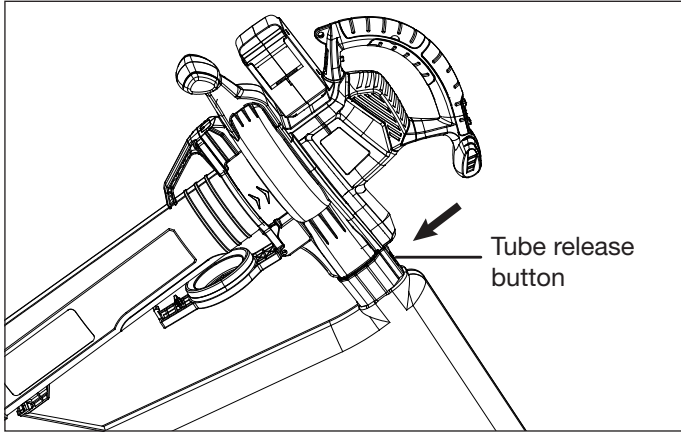


4. Insert the air outlet duct into the collection bag adaptor tube until the collection bag is securely fastened then hook the bag strap onto the strap holder on the rear vacuum tube.



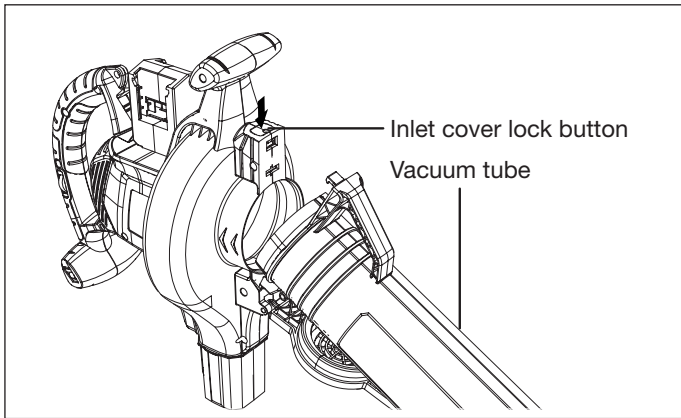


To detach the collection bag from the machine, press the tube release button on the air outlet duct and pull the bag adaptor off the air outlet duct. Release the bag strap from the strap holder.

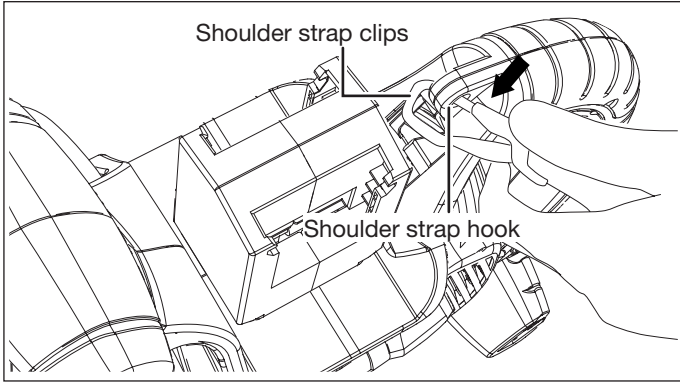


5. To remove the vacuum tube assembly, press the inlet cover lock button to unlock, then remove the tube assembly from its housing.

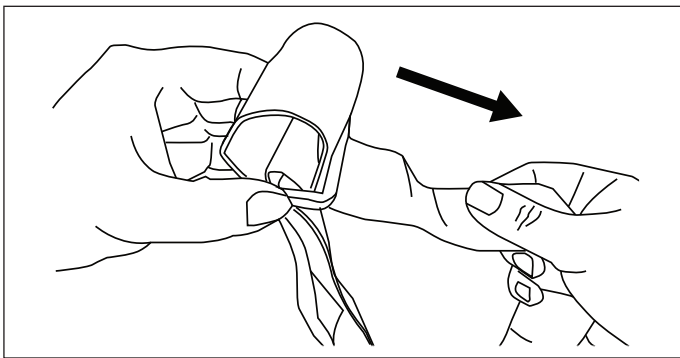
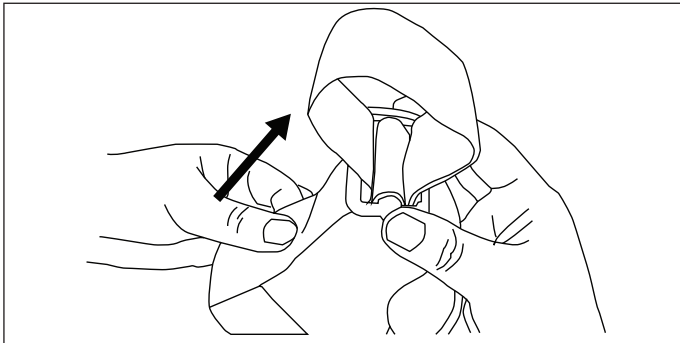
**NOTE:** It may be necessary to remove the blower tubes or vacuum tubes to clear a blocked tube or impeller. Make sure to remove the batteries before attempting to clear any obstructions.



6. Clip the shoulder support strap to the strap hook on the top of the blower, as shown.



7. To adjust the length of the strap, push it from one end to form a loop above, and let out as needed, then pull the strap from the other side to tighten.



8. With machine on operator's right hand side, place shoulder strap across chest and over left shoulder.

## BEFORE OPERATION

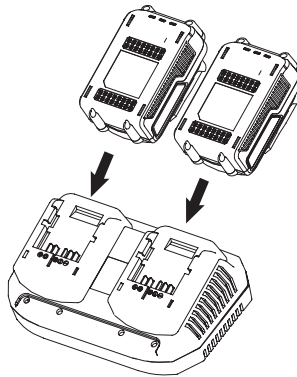


**WARNING:** The charger and battery pack are specially designed to work together so do not attempt to use any other devices. Never insert or allow metallic objects into your charger or battery pack connections otherwise an electrical failure and hazard will occur.

**NOTE:** The battery packs come partly charged. Charge the battery packs prior to first use, ideally for at least 60 minutes.

- Always pull the plug of the charger from the mains before removing or connecting the battery packs to the charger.
- Never charge the battery pack when the ambient temperature is below 5°C or above 45°C.
- Never recharge a battery pack again immediately after rapid charging. This could overcharge the battery pack, thus reducing the lifespan of the battery pack and charger.
- Rest the charger for at least 15 minutes between continuously charging sessions.

**NOTE:** Always fully charge the two batteries at the same time.



### Checking battery capacity

Press the battery capacity level button to check the charging level of the battery pack. The status/remaining capacity will be shown on the battery charging level indication light.

3 Green LED on	Battery pack fully charged
2 Green LED on	Battery pack 65% charged
1 Green LED on	Battery pack 35% charged
No LED lit	Battery is dead and needs to be charged

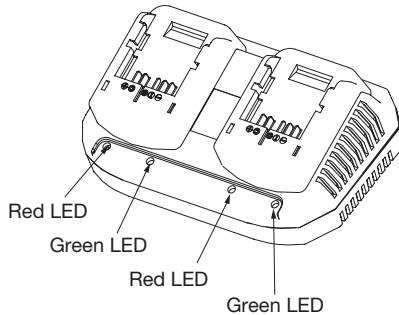
Charge the battery pack before operating when it is at medium or low battery charging level.

### Charging procedure

- 1) Slide the battery pack into the charger base to make connections.
- 2) Connect the battery charger to the power supply. The indicator light will be green and flash to show that the charging has started.
- 3) When charging is completed, the light will be continuous lit, the pack is now fully charged, unplug the charger and remove the battery pack.

### Charging light indicator

Red LED on, Green LED off	Charger ready
Red LED off, Green LED flashes	Battery pack charging
Red LED off, Green LED on	Battery pack fully charged
Red LED flashes, Green LED flashes	Battery pack defected
Red LED on, Green LED on	Battery pack too cold or hot



**WARNING:** When battery pack runs out after continuous use or exposure to direct sunlight or heat, allow time for the pack to cool down before re-charging to achieve the full capacity.

### To obtain the best life from the battery

1. Never allow the battery to completely discharge before recharging. The battery pack should be placed on the charger whenever the battery pack is noticeably running down or the tool no longer performs a task it previously performed.
2. Avoid conducting short charges. Make sure that the battery is fully charged each time by allowing the charger to complete its full charging cycle.
3. Avoid allowing loose items like screws or nails etc. to be stored with battery packs as these or similar items can short battery packs and cause a fire or explosion
4. Always unplug the charger when not in use and store in a dry and secure place.
5. Avoid charging or storing your battery in temperatures below 5°C and above 45°C.
6. After use, allow the battery pack to cool down for approximately 30 minutes before attempting to recharge.

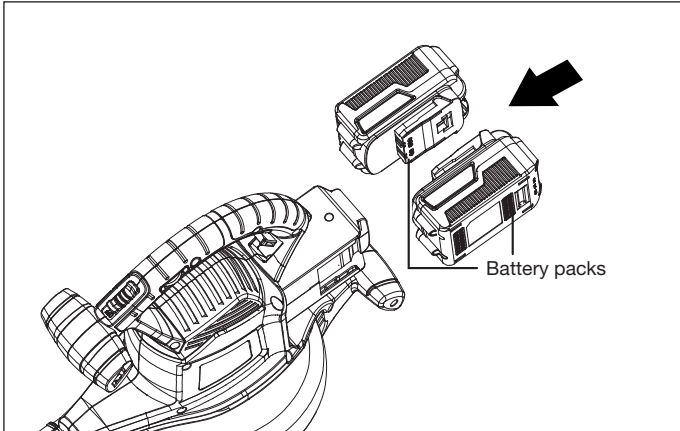
## OPERATION

### Starting and Stopping

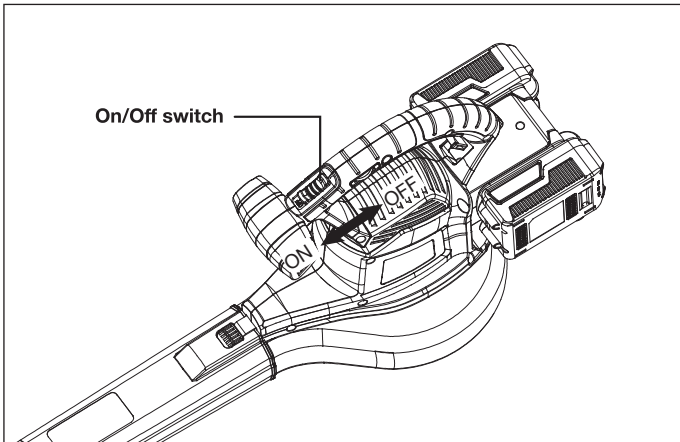


**WARNING!** Before switching on the tool, ensure that it is not in contact with any object.

1. Insert both batteries into the battery ports.



2. To start the cordless blower vac slide the ON/OFF switch forward to show the ON mark.

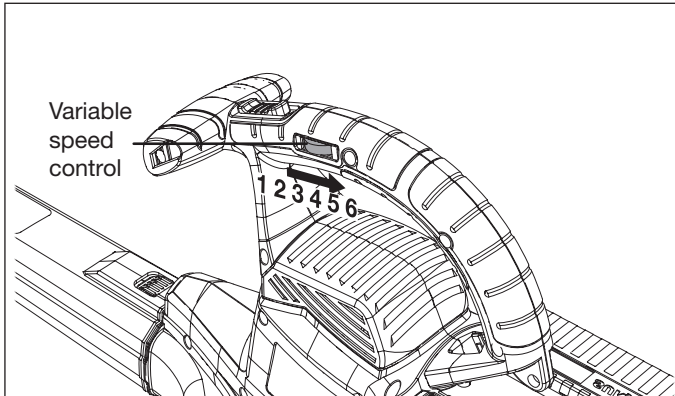


3. To stop the unit, slide the ON/OFF switch backward until the OFF mark appears.

## Speed Control

This unit is equipped with six variable speed settings (1 to 6).

- Turn the speed dial to position “1” or “2” for LOW speeds.
- Turn the speed dial to position “3” or “4” for MEDIUM speeds.
- Turn the speed dial to position “5” or “6” for HIGH speeds.



## Operating Tips



**WARNING!** Use the blower vac only in daylight or good artificial light.

- When using the blower vac, plant your feet firmly on the ground and place one hand on the unit handle and the other hand on the auxiliary handle.
- Wear personal protective equipment during your work session. This includes boots, safety glasses/goggles, ear defenders, long pants and a long-sleeve shirt.
- When using the unit as vacuum leaf shredder, make sure the bag is properly installed and zipped up.
- Make sure the blower tube nozzle is not directed at anybody or any loose debris before starting the unit.
- Verify that the unit is in good working condition. Make sure the tubes and guards are in place and secure.
- When used as a blower, ensure that the inlet cover is completely closed and locked.
- Keep a firm grip on both the handle and auxiliary handle.
- To reduce the risk of hearing loss associated with sound level(s), hearing protection is required.
- Use the shoulder strap when using the unit as a vacuum leaf shredder.
- Operate power equipment only at reasonable hours—not early in the morning or late at night when people might be disturbed. Comply with times listed in local ordinances. Usual recommendations are 9:00 am to 5:00 pm, Monday through Saturday.
- To reduce noise levels, limit the number of pieces of power equipment used at any one time and operate power blowers at the lowest possible speed setting necessary to do the job.
- Use rakes and brooms to loosen debris before blowing.

- In dusty conditions, slightly dampen surfaces.
- Conserve water by using power blowers instead of hoses for many lawn and garden applications, including areas such as gutters, screens, patios, grills, porches and gardens.
- Blow debris into a safe, open area away from children, pets, open windows or freshly washed cars.
- Clean up after using leaf blowers and other lawn equipment. Dispose of debris appropriately.



**WARNING!** To avoid serious personal injury, wear ear defenders, goggles or safety glasses at all times when operating this unit. Wear a face mask or dust mask in dusty locations.



**WARNING!** To prevent serious personal injury or damage to the unit, make sure the blower tube or the vacuum tubes and the bag are in place before operating the unit.

### Air Vents

Never cover air vents. Keep them free from obstructions and debris. They must always remain clear for proper motor cooling.

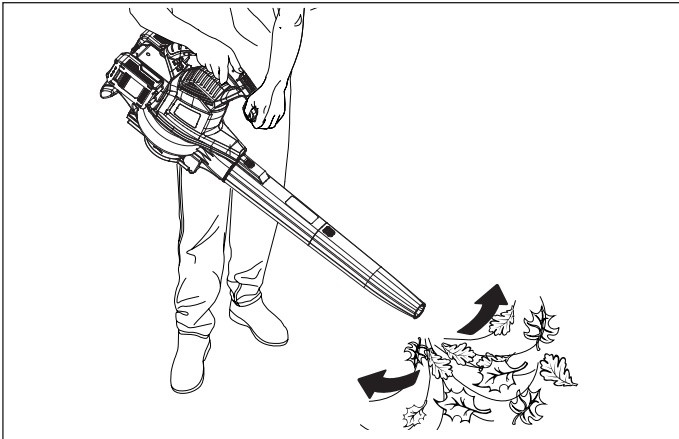


**WARNING!** To avoid serious personal injury, do not wear loose fitting clothing or articles such as scarves, strings, chains, ties, etc., that could get drawn into the air vents.

To make sure long hair does not get drawn into the air vents, tie back long hair.

### Blower Mode

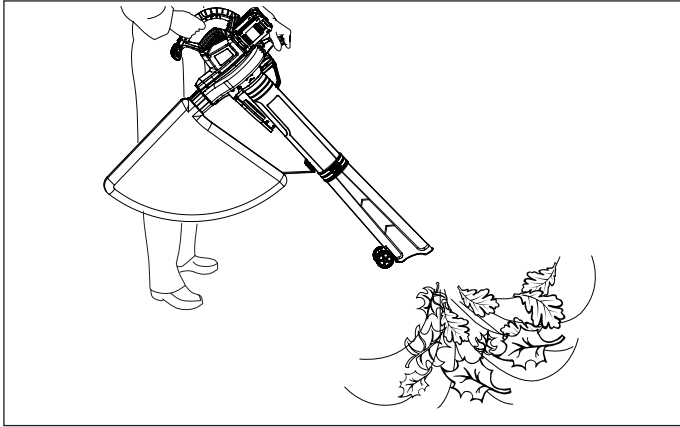
- Hold the blower firmly with one hand on the main handle and the other hand on the auxiliary handle. Sweep from side to side with the nozzle several inches above the ground or floor.



- Slowly advance the unit, keeping the accumulated pile of debris in front of you. Most dry blowing operations are better suited to low speeds rather than high speeds. High speed blowing is best for moving heavier items like large debris or gravel.

### Vacuum/Leaf shredder mode

- Once you have blown the debris/leaves into a pile, you can convert to vacuum mode to collect the debris.
- With a firm hold on the vac, tilt the mulcher tubes 2 in – 4 in. (5 cm – 10 cm) from the ground and use a sweeping action to collect light debris. The debris will flow into the bag. Items such as small leaves and twigs will be mulched as they pass through the fan housing. For longer bag life and increased performance, empty the bag frequently.



- As the bag fills, suction power will decrease. When this happens, turn the power switch to the OFF position and remove the batteries. Unzip the bag and empty the debris.
- To remove the bag, press the tube release button. Turn the bag upside down and shake out any debris and leaves.



**WARNING!** Never remove the collection bag without first turning the power switch to the OFF position and remove the batteries.



**WARNING!** Do not use in vacuum mode without the vacuum tubes and collection bag in place.



## Clearing a Blocked Tube/Impeller



**WARNING!** To avoid serious personal injury, be sure the unit is OFF and remove the batteries before clearing the impeller.



**WARNING!** To avoid serious personal injury, always wear gloves to protect yourself from the impeller blades or other sharp objects.

During the vacuuming process, certain objects such as cloth, rope or large diameter sticks may obstruct the fan and block the motor. A thermal protection device, which is built into the batteries, will cut off the electricity to the motor to prevent damage from overheating.

In the event an obstruction occurs and power is curtailed:

1. Slide the ON/OFF switch to the OFF position until the unit comes to a complete stop.
2. Remove the batteries.
3. Remove the blower tube or vacuum tubes and the bag.
4. Using a chute clean-out tool, carefully remove the material blocking the tube or impeller. Inspect to ensure no damage has occurred. Rotate the impeller blades by hand to ensure the blockage is completely cleared.
5. Reinstall the blower tube or vacuum tubes and the bag.
6. Wait 3 minutes for the motor to cool.
7. Reinsert the batteries and slide the ON/OFF switch to ON.

The blower vac will resume normal function.

## CARE AND CLEANING



**WARNING!** Remove the batteries before performing any maintenance task.

### Cleaning the Unit



**WARNING!** To avoid serious personal injury, always turn the unit off and remove the batteries before cleaning or servicing.

Use a small brush to clean the outside of the unit. Do not use strong detergents, household cleaners that contain aromatic oils (e.g. pine and lemon) or harsh solvents such as kerosene as these substances can damage the plastic housing or the handles. Wipe off any moisture with a soft, dry cloth.

1. Empty the bag after each use to avoid deterioration and obstructing air flow, which will reduce the performance of the mulcher.
2. Wear eye protection and a dust mask. Clean the bag as needed. Turn the bag inside out after initial emptying and vigorously shake out dust and debris.
3. Wash the bag once a year, or more often if needed. Follow the steps below:
  - i. Remove the bag.
  - ii. Turn the bag inside out.
  - iii. Hang it up.
  - iv. Hose it down thoroughly.
  - v. Leave it hanging to dry.
  - vi. Turn the bag right-side up and reinstall.

### Storage

1. Examine the cordless blower vac thoroughly for worn, loose or damaged parts.
2. Remove the batteries from the machine before storing.
3. Store the batteries, charger with the cordless blower vac indoors in a clean, dry and locked location out of the reach of children and animals.

## TROUBLE SHOOTING

Use this section to help you to try and solve any problems you may have:

PROBLEM	POSSIBLE CAUSE	CORRECTIVE ACTION
Unit will not blow or vacuum	<ol style="list-style-type: none"> <li>1. Bag full</li> <li>2. Blocked tube</li> <li>3. Blocked impeller</li> <li>4. Tubes are not installed properly.</li>   <li>5. Collection bag is not installed properly</li> <li>6. Batteries are not inserted properly or batteries are flat.</li> </ol>	<ol style="list-style-type: none"> <li>1. Empty the bag.</li> <li>2. Clear the blockage.</li> <li>3. Clear the blockage.</li> <li>4. Remove and reinstall the tubes. Make sure they are locked in securely.</li> <li>5. Remove and reinstall the collection bag. Make sure it is locked in securely.</li> <li>6. Charge the batteries and insert them in the ports properly.</li> </ol>
Unit will not start	<ol style="list-style-type: none"> <li>1. Batteries are not inserted properly or batteries are flat.</li>   <li>2. On/Off switch is in the OFF position.</li>   <li>3. Defective power switch</li> <li>4. Tubes are not installed properly</li>   <li>5. Collection bag is not installed properly</li>   <li>6. Intake cover is not closed.</li> </ol>	<ol style="list-style-type: none"> <li>1. Charge the batteries and insert them in the ports properly.</li> <li>2. Slide the power switch to the ON position and select your desired speed setting with the speed control.</li> <li>3. Call the +44 01904 947568</li> <li>4. Remove and reinstall the tubes. Make sure they are locked in securely.</li> <li>5. Remove and reinstall the collection bag. Make sure it is locked in securely.</li> <li>6. Ensure that cover is fully closed and locked.</li> </ol>

**NOTE: IF YOU EXPERIENCE A PROBLEM WITH YOUR TOOL, PLEASE DO NOT ATTEMPT TO OPEN OR REPAIR THE TOOL YOURSELF. DOING SO MAY VOID THE WARRANTY AND COULD CAUSE DAMAGE OR PERSONAL INJURY. IF THE PROBLEM STILL PERSISTS, PLEASE CONTACT US BY REFERRING TO THE SERVICE & SUPPORT INFORMATION ON THE FOLLOWING PAGE.**

## DECLARATION OF CONFORMITY / PERFORMANCE



**Product Code: 33103 (ASYBV01)**

**Product Description: Hawksmoor 36V (2 x 18V) Cordless Blower Vac**

1. Toolstation Limited, Express Park, Bristol Road, Bridgwater, Somerset TA6 4RN

This declaration of conformity is issued under the sole responsibility of Toolstation

2. Object of the declaration

The object of the declaration described above is in conformity with the relevant Community harmonization legislation:

Supply of Machinery (Safety) Regulations 2008

Electromagnetic Compatibility Regulations 2016

Noise Emission in the Environment by Equipment for use Outdoors Regulations 2001

The Restriction of the Use of Certain Hazardous Substances in Electrical and Electronic Equipment Regulations 2012

3. References to the relevant standards used (or references to the specifications in relation to which conformity is declared:

BS EN 55014-1;BS EN 55014-2;BS EN IEC 55014-1; BS EN IEC 55014-2; BS EN IEC 61000-3-2; BS EN 61000-3-3;

BS EN 60335-1; BS EN 60335-2-29; BS EN 50636-2-100; BS EN 62233;BS EN ISO 12100

4. Additional information:

Signed for and on behalf of Toolstation Limited

## ENVIRONMENTAL INFORMATION



The symbol on the product or its packaging indicates that this product must not be disposed of with your other household waste. Instead, it is your responsibility to dispose of your waste equipment by handing it over to a designated collection point for the recycling of waste electrical and electronic equipment. The separate collection and recycling of your waste equipment at the time of disposal will help conserve natural resources and ensure that it is recycled in a manner that protects human health and the environment. For more information about where you can drop off your waste for recycling, please contact your local authority, or where you purchased your product.

## GUARANTEE

Toolstation products deliver reliable service for normal, household use in domestic settings. All Toolstation products are individually tested before leaving the factory.

If you are a consumer and you experience a problem with your Toolstation product, which is found to be defective due to faulty materials or workmanship within the Guarantee Period, this Toolstation Guarantee will cover repair or - at the discretion of Toolstation - replacement with a functionally equivalent Toolstation product.

Your product is under guarantee for 2 years from the date of purchase or the date of delivery of the product, if later.

The guarantee is subject to the following provisions:

- The guarantee does not cover accidental damage, misuse, cabinet parts, knobs, or consumable items.
- The product must be correctly installed and operated in accordance with the instructions contained in this manual.
- It must be used solely for domestic purpose.
- The guarantee will be rendered invalid if the product is re-sold or has been damaged by inexpert repair.
- Specifications are subject to change without notice.
- The manufacturer disclaims any liability for the incidental or consequential damages.
- The guarantee is in addition to, and does not diminish your statutory or legal rights.

## CUSTOMER SUPPORT

[www.coreservice.co.uk](http://www.coreservice.co.uk)

Call us +44 01904 947568

Email: [support@coreservice.co.uk](mailto:support@coreservice.co.uk)

Made in China