

ORIGINAL INSTRUCTION MANUAL



McGregor 18V CORDLESS POLE HEDGE TRIMMER

7044629 (Model: MCEHT1841)

CAUTION Read the instructions before using the machine

These instructions contain important information that will help you get the best from your pressure washer, ensuring it is assembled correctly and safely. If you need help or have damaged or missing parts, call the Customer Helpline on **0345 605 2062**

AFTER SALES SUPPORT
0345 605 2062
SAN NO.: 03218ABBH051

Contents

Safety information.....	3
In the box.....	16
Assemble.....	17
Prepare.....	20
Operate.....	24
Maintenance.....	26
Troubleshooting.....	27
Technical data.....	28
Recycling and Disposal	30
Getting help.....	30
Guarantee.....	31

Produced in China. Argos Limited, 489-499 Avebury Boulevard, Milton Keynes, MK9 2NW.
Argos (N.I.) Ltd, Forestside Shopping Centre, Upper Galwally, Belfast, United Kingdom,
BT8 6FX. Argos Distributors (Ireland) Limited, Unit 7, Ashbourne Retail Park, Ballybin Road,
Ashbourne, County Meath, Ireland



Safety Information

Important - Please read these instructions fully before operating or maintaining

Warning Symbol

The following warning symbols appear throughout this manual and indicate the appropriate safety measures you should take when operating and maintaining the pole hedge trimmer.



Warning!



To reduce the risk of injury, the user must read the instruction manual.



Wear ear protection.



Wear eye protection.



Wear head protection.



Wear suitable foot protection.



Wear suitable hand protection.



Keep bystanders away.



Conforms to relevant UK regulatory requirements



Conforms to relevant EU regulatory requirements.



DANGER! Keep hands away from the blades.



Do not operate or expose the product to rain or wet conditions.



Keep sufficient distance away from electrical power lines.



Safety Information

Important - Please read these instructions fully before operating or maintaining

Warning Symbol



Guaranteed sound power level data is 96dB.



Remove the battery pack before any adjustment or maintenance.

Warning symbols on the charger



Before use, carefully read through the user manual.



The charger is for indoor use only.



Class II equipment.



Pole orientation.



WEEE symbol. Waste electrical products should not be disposed of with household waste. Please recycle where facilities exist. Check with your local authority or local store for recycling guidelines.

Warning symbols on the battery



Do not dispose of batteries in rivers or immerse them in water.



Do not subject the battery to strong sunlight over long periods, and do not leave it on a heater (max. 45°C).



Do not throw on fire.



Contains a Li-ion battery. Do not dispose of waste batteries in domestic waste. Contact your local authority to find out how to dispose of batteries.



Safety Information

Important - Please read these instructions fully before operating or maintaining

General Safety Warnings



WARNING! Read all safety warnings and all instructions provided on or with this power tool.

Failure to follow the warnings and instructions may result in electric shock, fire and/or serious injury.

The term 'power tool' in the warnings refers to your mains-operated (corded) power tool or battery-operated (cordless) power tool.

Save all warnings and instructions for future reference.

1. This product is not intended for use by persons (including children) with reduced physical, sensory or mental capabilities, or lack of experience and knowledge, unless they have been given supervision or instruction concerning use of the product by a person responsible for their safety.
2. Children should be supervised to ensure that they do not play with the product.
3. The garden power tool must be kept out of reach of children.



Safety Information

Important - Please read these instructions fully before operating or maintaining

Work area safety

- Keep work area clean and well lit. Cluttered or dark areas invite accidents.
- Do not operate power tools in explosive atmospheres, such as in the presence of flammable liquids, gases or dust. Power tools create sparks which may ignite the dust or fumes.
- Keep children and bystanders away while operating a power tool. Distractions can cause you to lose control.

Electrical safety

- Power tool plugs must match the socket. Never modify the plug in any way. Do not use any adaptor plugs with earthed (grounded) power tools. Unmodified plugs and matching sockets will reduce the risk of electric shock.
- Avoid body contact with earthed or grounded surfaces, such as pipes, radiators, ranges and refrigerators. There is an increased risk of electric shock if your body is earthed or grounded.
- Do not expose power tools to rain or wet conditions. Water entering a power tool will increase the risk of electric shock.
- Do not abuse the cord. Never use the cord for carrying, pulling or unplugging the power tool. Keep the cord away from heat, oil, sharp edges



Safety Information

Important - Please read these instructions fully before operating or maintaining

or moving parts. Damaged or entangled cords increase the risk of electric shock.

- When operating a power tool outdoors, use an extension cord suitable for outdoor use. Use of a cord suitable for outdoor use reduces the risk of electric shock.
- If operating a power tool in a damp location is unavoidable, use a residual current device (RCD with a tripping current of 30mA or less) protected supply. Use of an RCD reduces the risk of electric shock.

Personal safety

- Stay alert, watch what you are doing and use common sense when operating a power tool. Do not use a power tool while you are tired or under the influence of drugs, alcohol or medication. A moment of inattention while operating power tools may result in serious personal injury.
- Use Personal Protective Equipment(PPE). Always wear eye protection. Protective equipment, such as a dust mask, non-skid safety shoes, hard hat, or hearing protection used for appropriate conditions will reduce personal injuries.
- Prevent unintentional starting. Ensure the switch is in the off-position before connecting to the power source and/or battery pack, picking up or



Safety Information

Important - Please read these instructions fully before operating or maintaining

carrying the tool.

Carrying power tools with your finger on the switch or energising power tools that have the switch on invites accidents.

- Remove any adjusting key or wrench before turning the power tool on.

A wrench or a key left attached to a rotating part of the power tool may result in personal injury.

- Do not overreach. Keep proper footing and balance at all times. This enables better control of the power tool in unexpected situations.
- Dress properly. Do not wear loose clothing or jewellery. Keep your hair, clothing and gloves away from moving parts. Loose clothes, jewellery or long hair can be caught in moving parts.

Battery tool use and care

- Recharge only with the charger specified by the manufacturer. A charger that is suitable for one type of battery pack may create a risk of fire when used with another battery pack.
- Use power tools only with specifically designated battery packs. Use of any other battery packs may create a risk of injury and fire.
- When battery pack is not in use, keep it away from other metal objects ,like paper clips ,coins



Safety Information

Important - Please read these instructions fully before operating or maintaining

,keys,nails ,screws or other small metal objects, that can make a connection from one terminal to another. Shorting the battery terminals together may cause burns or a fire.

- Under abusive conditions, liquid may be ejected from the battery ;avoid contact .If contact accidentally occurs, flush with water. If liquid contacts eyes, additionally seek medical help. Liquid ejected from the battery may cause irritation or burns.
- Do not use a battery pack or tool that is damaged or modified. Damaged or modified batteries may exhibit unpredictable behaviour resulting in fire, explosion or risk of injury.
- Do not expose a battery pack or tool to fire or excessive temperature. Exposure to fire or temperature above 130°C may cause explosion.
- Follow all charging instructions and do not charge the battery pack or tool outside the temperature range specified in the instructions. Charging improperly or at temperatures outside the specified range may damage the battery and increase the risk of fire.



Safety Information

Important - Please read these instructions fully before operating or maintaining

Pole Hedge trimmer safety warnings

- Only use the device in daylight or with sufficient artificial lighting.
- Always ensure that all guards are fitted when using the device. Never attempt to use an incomplete tool or a tool with unauthorised modifications.
- Always wear ear protection, goggles and a helmet during operation.
- To reduce the risk of electrocution, never use the extended-reach hedge trimmer near any electrical power lines. Contact with or use near power lines may cause serious injury or electric shock resulting in death. Beware of overhead power lines.
- Check the hedge for foreign objects before operation, e.g. wire fences.
- Always use two hands when operating the extended-reach hedge trimmer. Hold the extended-reach hedge trimmer with both hands to avoid loss of control.
- Hold the power tool by insulated gripping surfaces only; the cutter blade may contact hidden wiring. Cutter blades contacting a 'live' wire may make exposed metal parts of the power tool 'live' and could give the operator an electric shock.
- Always use head protection when operating the extended-reach hedge trimmer overhead. Falling



Safety Information

Important - Please read these instructions fully before operating or maintaining

- debris can result in serious personal injury.
- Keep all parts of the body away from the cutter blade. Do not remove any cut material or hold material to be cut when the blades are moving. Make sure the switch is off when clearing jammed material. A moment of inattention while operating the hedge trimmer may result in serious personal injury.
 - Take care to avoid hard objects (e.g. metal wire, railings) when trimming. Should you accidentally hit any such object, immediately switch the tool off, remove the battery, and check for any damage.
 - Should the tool start to vibrate abnormally, immediately switch it off, remove the battery, and check for any damage.
 - Never attempt to force the blades to come to a standstill.
 - Avoid operating while people, especially children and pets, are nearby.
 - Regularly check the blades for damage and wear. Do not use the machine when the blades are damaged. Do not operate the tool with a damaged or excessively worn cutting blades.
 - **WARNING!** The cutting elements continue to rotate a little after the trimmer has been switched off. Never touch the blades while the tool is run-



Safety Information

Important - Please read these instructions fully before operating or maintaining

ning. Remove the battery before carrying out investigation or maintenance or the hedge trimmer.

Safety warnings for battery packs

- Keep the battery pack clean and dry. Wipe the battery pack terminals with a clean, dry cloth if they become dirty.
- Do not subject the battery pack to mechanical shock.
- Do not expose the battery pack to heat or fire. Avoid storing in direct sunlight.
- Do not keep the battery pack on charge when it is not in use.
- Remove the battery from the equipment when it is not in use.
- Keep the battery pack out of the reach of children.
- In the event of battery leakage, do not allow the liquid to come into contact with the skin or eyes. If contact has been made, wash the affected area with copious amounts of water and seek medical advice.
- The battery pack needs to be charged before use. Always refer to this instruction manual and use the correct charging procedure.
- After extended periods of storage, it may be necessary to charge and discharge the battery pack



Safety Information

Important - Please read these instructions fully before operating or maintaining

- several times to obtain maximum performance.
- The battery pack gives its best performance when it is operated at normal room temperature ($20^{\circ}\text{C} \pm 5^{\circ}\text{C}$).
- When discharging several battery packs, keep battery packs of different electrochemical systems separate from each other.
- Retain the original product literature for future reference.
- Do not dismantle, open or shred cells or battery packs.
- Dispose of safely in an environmentally-friendly manner. Not with domestic, household waste.

Safety warnings for charger

- Before charging, ensure your charger matches the local AC supply.
- Do not use in damp or wet conditions.
- Do not open or probe the charger.
- The charger is intended for indoor use only.
- Only use your charger to charge batteries of the type supplied with your power tool. Other batteries could explode, causing personal injury and property damage.
- Only two battery packs are allowed to be charged continuously, in order to prevent overheating of the charger. It is necessary to allow the charger



Safety Information

Important - Please read these instructions fully before operating or maintaining

- to cool down before charging another battery.
- When charging is complete, unplug the charger from the mains socket and remove the battery pack from the charger. Do not leave the battery pack in the charger.
- Never carry the charger by its cord or pull the cord to disconnect from the socket. Keep the cord away from heat, oil and sharp edges.
- Never attempt to charge non-rechargeable batteries.
- The cord of the charger is not changeable; do not continue to use it, if the cord is damaged.

Transportation

- Switch the product off and disconnect the battery pack from the product before transporting it anywhere.
- Always carry the product by its handle/gripping surface.
- Carry the hedge trimmer by the handle with the cutter blade stopped. When transporting or storing the hedge trimmer always fit the cutting device cover. Proper handling of the hedge trimmer will reduce possible personal injury from the cutter blades.
- Protect the product from heavy impact or strong



Safety Information

Important - Please read these instructions fully before operating or maintaining

vibrations which may occur during transportation in vehicles.

- Secure the product to prevent it from slipping or falling over.

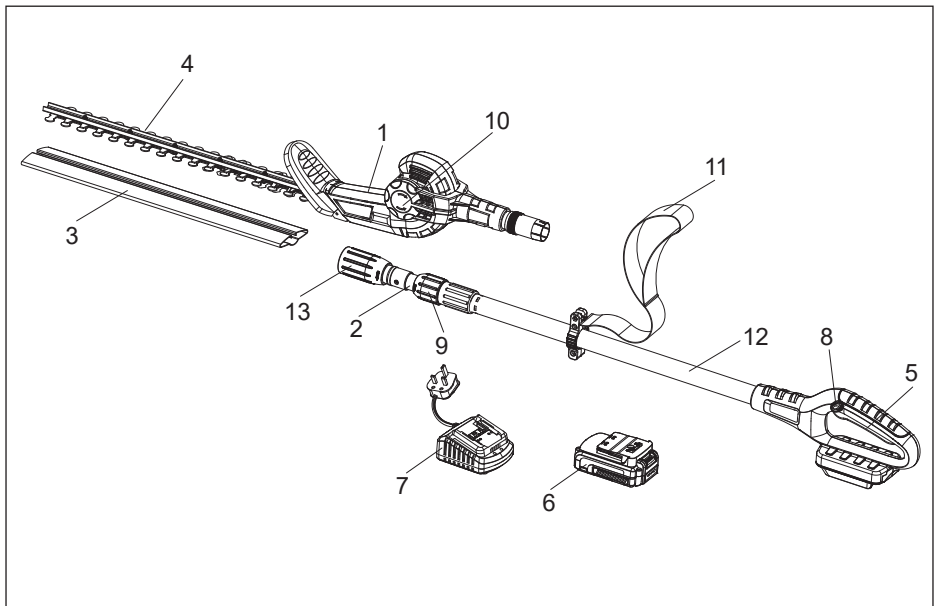
Service

- Have your power tool serviced by a qualified repair person using only identical replacement parts. This will ensure that the safety of the power tool is maintained.
- Never service damaged battery packs .Service of battery packs should only be performed by the manufacturer or authorized service providers

In the Box

Parts

- | | |
|----------------------|----------------------------------|
| 1. Working head | 8. Safety lock-off button |
| 2. Telescopic handle | 9. Telescopic handle lock |
| 3. Blade sheath | 10. Working head adjusting knob |
| 4. Blade | 11. Shoulder strap |
| 5. Main switch | 12. Pole tube |
| 6. Battery pack | 13. Working head attachment lock |
| 7. Charger | |



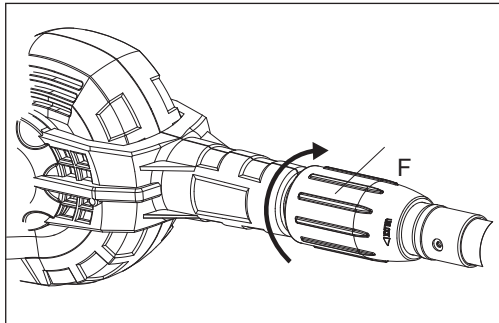
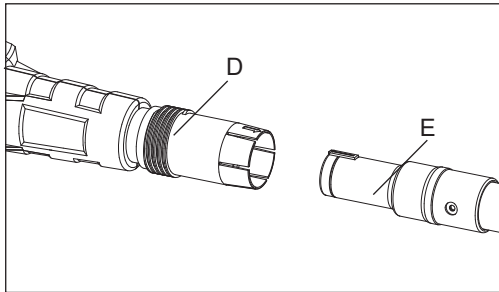
If there are any parts missing, please call the customer helpline on 0345 605 2062

Assemble

Assemble the working head

Before using the pole hedge trimmer, a one-time assembly is required. When removed from the box, the two parts are disconnected as shown in photo below.

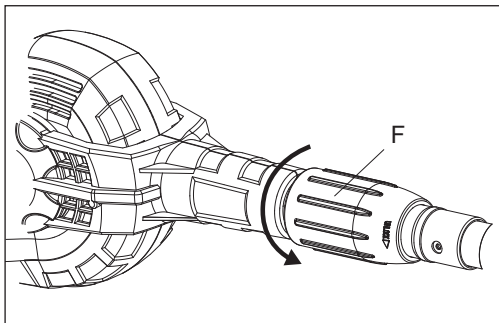
Assemble the working head (D) to the telescopic pole handle (E).
When inserted, the two parts must be inserted fully. Lock the working head attachment lock (F) fully.



Assemble

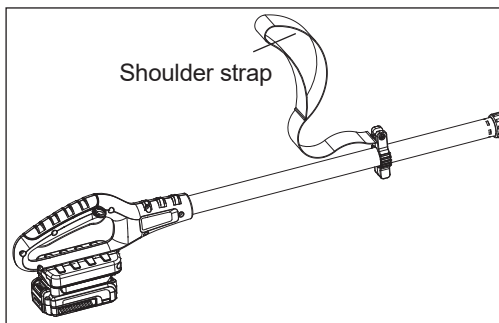
Disassemble the working head

When removing, turn lock knob (F) to unlock, then pull the pole out.



Attach the shoulder strap

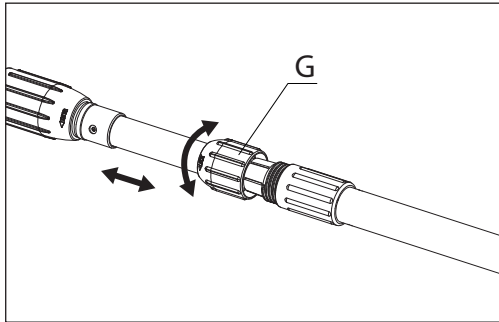
Fix the hook of the shoulder strap into the lifting lug on the pole tube of the pole hedge trimmer.



Prepare

Adjust the telescopic handle

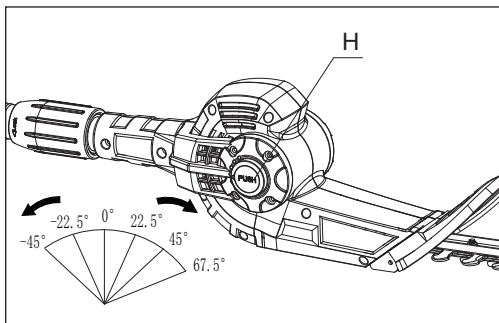
Loosen the quick release knob (G) and extend the upper part of the handle to the desired handle length. Then tighten the quick release knob to fix the tube tight.



Adjust the telescopic head

Hold the working head tightly. Push the working head adjusting button (H) and then turn the cutter head to the desired position. Release the adjusting button again and check whether the cutter head is locked in place.

Note: The cutter head can be locked in six positions (-45°, -22.5°, 0°, 22.5°, 45°, 67.5°)



Prepare



WARNING: Ensure the battery pack is disconnected from the hedge trimmer before carrying out assembly.



WARNING!

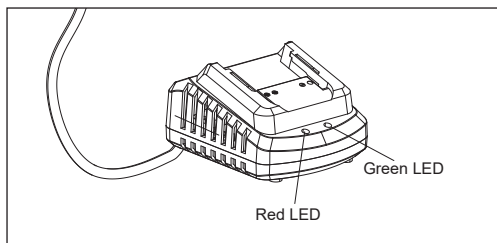
The charger and battery pack are specifically designed to work together, do not attempt to use any other devices. Never insert or allow metallic objects into your charger or battery pack connections; an electrical failure and hazard will occur.

The battery needs to be charged before first use and whenever it fails to produce sufficient power on jobs that were easily done before.

1. Plug the charger into an appropriate AC power outlet.
2. Slide the battery pack into the charger, make sure the battery pack is fully seated in position.

Charger status checking

Green LED lit, red LED is off	Charger ready
Green LED is off, red LED lit	Battery pack charging
Green LED lit, red LED is off	Battery pack is fully charged



Attention! It can not be charged immediately after using the machine.

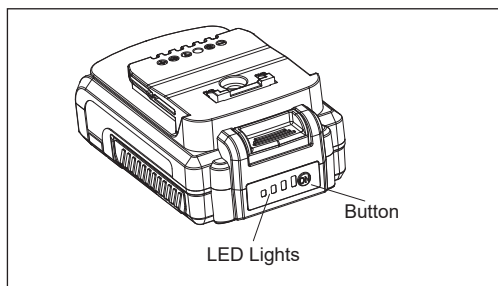
The battery pack should be cooled for a period of time. The LED lights start flashing means it can be charged.

Prepare

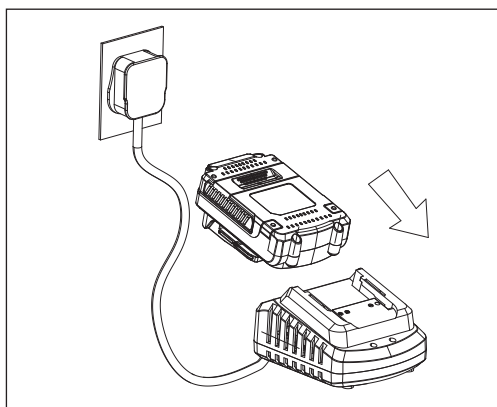
Checking battery capacity

1. Press the battery capacity level button to check the charging level of the battery pack. The status / remaining charge will be shown on the battery charging level indication light.

No LED lit	Battery is dead and needs to be charged
1 Green LED continuously lit	Battery pack <20% charged
2 Green LEDs continuously lit	Battery pack 20-50% charged
3 Green LEDs continuously lit	Battery pack 50-80% charged
4 Green LEDs continuously lit	Battery pack >80% charged



2. Charge the battery pack before operating when it is at medium or low battery charging level.



Prepare

Important charging notes

1. Never allow the battery to completely discharge before recharging. The battery pack should be placed on the charger whenever the battery pack is noticeably running down or the tool no longer performs a task it previously performed.
2. Avoid conducting short charges. Make sure that the battery is fully charged each time by allowing the charger to complete its full charging cycle.
3. Avoid allowing loose items like screws or nails, etc., to be stored with battery packs, as these or similar items can short battery packs and cause a fire or explosion.
4. Always unplug the charger when not in use and store in a dry and secure place.
5. Avoid charging or storing your battery in temperatures below 0°C and above 40°C.
6. After use, allow the battery pack to cool down for approximately 30 minutes before attempting to recharge.
 - If the battery pack does not charge properly:
 - Check the main socket by plugging in a lamp or other appliance.
 - Move the charger and battery pack to a location where the surrounding air temperature is approximately 18-24°C.
 - If charging problems persist, please contact service centre at 0345 605 2062.
7. The battery pack should be recharged when it fails to produce sufficient power on jobs which were easily done before. DO NOT CONTINUE to use under these conditions. Follow the charging procedure. You may also charge a partially used pack whenever you desire with no adverse effect on the battery pack.
8. Under certain conditions with the charger plugged into the power supply, the exposed charging contacts inside the charger can be shorted by foreign materials. Foreign materials of a conductive nature, such as, but not limited to, steel wool, aluminium foil, or any build-up of metallic particles, should be kept away from charger cavities. Always unplug the charger from the power supply when there is no battery pack in the cavity. Unplug the charger before attempting to clean.
9. Do not immerse the charger in water or any other liquid.



WARNING!

Never attempt to open the battery pack for any reason. If the plastic housing of the battery pack breaks or cracks, dispose of the battery pack in accordance with local regulations; do not put it into further use.

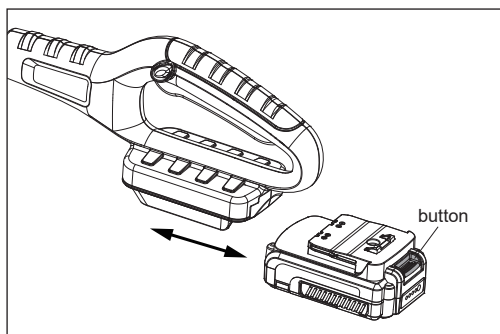
Prepare

Install the battery pack

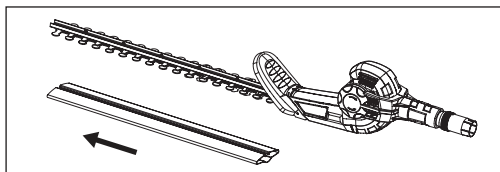


WARNING! Always release the On/Off switch before inserting or removing the battery pack.

1. Remove the battery pack: Press the button on the end of the battery pack, then remove the pack from the trimmer.
2. Install the battery pack: Align the ribs on both sides of the battery pack with the slots in the housing, and slip it into place. Always insert it all the way until it locks in place with a click sound. If it's not correctly inserted, it may accidentally fall out of the trimmer, causing injury to you or bystanders.
3. To release the battery from the trimmer, push the button on the end of the battery pack and pull away from the trimmer.



Remove the blade sheath



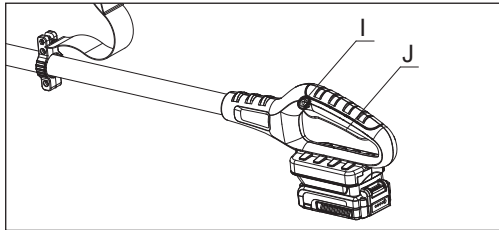
Operation

Switching on/off



WARNING! If any parts are missing, damaged or broken, do not operate your hedge trimmer until all damaged parts have been replaced or repaired. Failure to do so could result in serious personal injury.

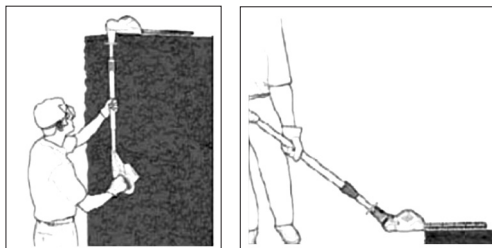
1. Switching on
Push in the safety lock-off button (I) and then press the main switch (J) on the handle.
2. Switching off
Release the main switch on the handle.



Cutting



WARNING! DO NOT exceed the cutting capacity of this product! With its unique design, the pole trimmer can be used to trim and shape hard to reach areas on hedges and bushes, such as those shown below.



Seasonal hedges and shrubs that lose their leaves in the winter should be trimmed in June and October.

Evergreen hedges and shrubs that retain their leaves in the winter should be trimmed in April and August.

Conifers and other fast-growing shrubs can be trimmed every six weeks from May onwards throughout the growing season.

Operation



WARNING!

Always keep both hands on the hedge trimmer handles. Never hold shrubs with one hand and operate hedge trimmer with the other. Failure to heed this warning can result in serious injury.



WARNING!

Clear the area to be cut before each use. Remove all objects such as cords, lights, wire, or loose string which can become entangled in the cutting blade and create a risk of serious personal injury.

Maintenance and Storage

Maintenance



WARNING!

Before any maintenance, always take off the battery pack and wear protective gloves.

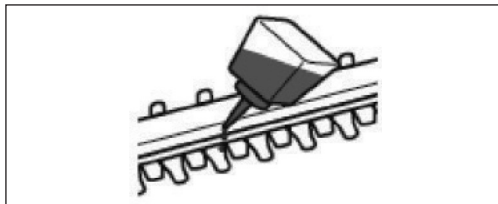
- . Never use water to clean the unit.
- . Always clean the hedge trimmer immediately after use. Brush the blade using a stiff nylon brush to remove any debris.
- . Always store the unit in a dry place.
- . Inspect the hedge trimmer before each use.
- . Have the unit professionally repaired if any damage occurs.
- . The blade rail should be cleaned and treated with fine lubricating oil after each use.
- . Use the blade sheath for transportation and storage.

Lubrication of the blade

For easier operation and longer life, lubricate the cutting blades before and after each use.

Before lubricating, make sure the battery is disconnected from the hedge trimmer.

Apply the oil (any kind of lubrication oil) so that it runs between the two blades.



Storage and transport

After cleaning the unit thoroughly. Store the unit in a safe, dry room, allowing the motor to cool down beforehand.

Store the unit out of the reach of children.

Use the original packaging to store the unit, whenever possible.

Troubleshooting

General Troubleshooting

Although your new cordless hedge trimmer is really easy to operate, if you do experience problems, please check the following:

Problem	Possible case	Solution
Hedge trimmer does not operate	<ol style="list-style-type: none">1. Not connected to battery pack2. Low battery capacity	<ol style="list-style-type: none">1. Connect to battery pack2. Charge the battery pack
Hedge trimmer operates intermittently	<ol style="list-style-type: none">1. Internal wiring damaged2. On/Off switch defective	Contact service centre at 0345 605 2062
Cutting blade hot	<ol style="list-style-type: none">1. Cutting blade dull2. Cutting blade is damaged3. Too much friction, due to lack of lubricant	<ol style="list-style-type: none">1. Have blade sharpened.2. Have blade inspected/over-hauled3. Apply lubricant spray
Cutting time per battery charge too low	<ol style="list-style-type: none">1. Too much friction, due to lack of lubricant2. Blade needs cleaning3. Battery not fully charged	<ol style="list-style-type: none">1. Apply lubricant spray2. Clean blade3. Recharge battery; also see "Charging The Battery"
The blades are running slow	<ol style="list-style-type: none">1. Battery discharged2. Battery stored outside of battery temperature	<ol style="list-style-type: none">1. Recharge battery; also see "Charging The Battery"2. Allow battery to warm naturally to room temperature (within battery operating temperature 10–45 °C)
Battery charge indicator(a) does not light up	<ol style="list-style-type: none">1. Mains plug of battery charger not plugged in (properly)2. Socket outlet, mains cable or battery charger defective	<ol style="list-style-type: none">1. Insert mains plug (fully) into the socket outlet2. Contact service centre at 0345 605 2062

Technical Data

Technical Data Table

Model	MCEHT1841
Voltage	18V d.c.
Battery type	18V d.c. Li-Ion
No load speed	1400rpm
Cutting length/tooth spacing	41cm/14mm

Charger	
Model No.	DQCH0502102200B01
Input voltage & power	100-240V AC 50-&0Hz 65W
Output voltage & current	21VDC

Battery pack	
Model No.	ET-D1810
Battery voltage	18V d.c. (Max) 20V d.c.
Battery capacity	2.0Ah
Fully charge time (approx.)	1 hour

Part Number	Accessories
ABBH051008	Blade cover
ABBH051066	Charger
ABBH051065	Battery pack
ABBH051052	Shoulder strap

Measured sound pressure level L_{pA} : 83.5dB(A), K=3dB(A)
 Measured sound power level L_{WA} : 92.52=dB(A), K=3dB(A)
 Guaranteed sound power level L_{WA} : 96dB(A)

Technical Data



WARNING!

The sound values have been determined according to the noise test code given in EN 60745-2-15, using the basic standards EN ISO 11094 and EN ISO 3744.

The sound intensity level for the operator may exceed 80dB(A) and ear protection measures are necessary.

The declared vibration value (according to EN 60745-1) has been measured in accordance with a standard test method, and may be used for comparing one product with another. The declared vibration value may also be used in a preliminary assessment of exposure.

Depending on the actual use of the product, the vibration values can differ from the declared total. Adopt proper measures to protect yourself against vibration exposures. Take the whole work process into consideration, including times the product is running under no load or switched off.



WARNING! This tool may cause Hand-Arm Vibration Syndrome (HAVS) if its use is not adequately managed.

Preventative measures include, among others, regular maintenance and care of the product and cutting attachments, keeping hands warm and periodical breaks, as well as proper planning of work processes.

Recycling and Disposal

Recycling and disposal



The product comes in a package that protects it against damage during shipping. Keep the packaging until you are sure that all parts have been delivered and the product is functioning properly. Recycle the packaging afterwards.

Old products are potentially recyclable and do not, therefore, belong in your household waste. You are requested to assist us and our contribution to saving resources and protecting the environment by handing this product at an equipped collection centre.

Getting Help

Customer Helpline 0345 605 2062

Our dedicated UK based customer service centre is open 7 days a week to assist you with assembly, parts queries and technical support. We are open during office hours. Our experts are here to get you back enjoying your garden in no time.

Calling our service does not affect your statutory rights.
UK/Ireland 0345 605 2062

Guarantee

Dear Customer,

In the unlikely event that your device develops a fault, please contact our Customer service department on the telephone number shown below.

1. These guarantee terms cover additional guarantee rights and do not affect your statutory warranty rights. Claims must be accompanied by Proof of Purchase. This must be in the form of a Sales receipt or Bank statement and must show that the product has been purchased within 2 years prior to the claim, from the retailer that it was originally sold to.
2. Our guarantee covers problems caused by material or manufacturing defects, and will result in the repair of these defects or replacement of the device with a like for like or similar article. Please note that our devices have not been designed for use in commercial, trade or industrial applications. Consequently, the guarantee is invalidated if the equipment is used in commercial, trade or industrial applications or for other equivalent activities.
3. The following are also excluded from our guarantee :
 - A. Faults due to accidents, customer misuse or unauthorised repairs
 - B. Consumable parts such as shoulder strap, blade cover and other accessories that are compatible with the product.
 - C. Failure due to lack of routine maintenance.
 - D. Failure as a result of not using the equipment in accordance with the manual and safety instructions
 - E. The adjustment of chargers, or battery packs
4. The guarantee is valid for a period of 2 years starting from the purchase date of the device. Guarantee claims should be submitted before the end of the guarantee period within two weeks of the defect being noticed. No guarantee claims will be accepted after the end of the guarantee period. The original guarantee period remains applicable to the device even if repairs are carried out or parts are replaced. In such cases, the work performed or parts fitted will not result in an extension of the guarantee period, and no new guarantee will become active for the work performed or parts fitted. This also applies when an on-site Service is used.
5. Please keep your sales receipt in a safe place. If it is covered by our guarantee your device will either be repaired under the terms of guarantee or we will send you a replacement device. This device may be re-conditioned or like for like replacement.