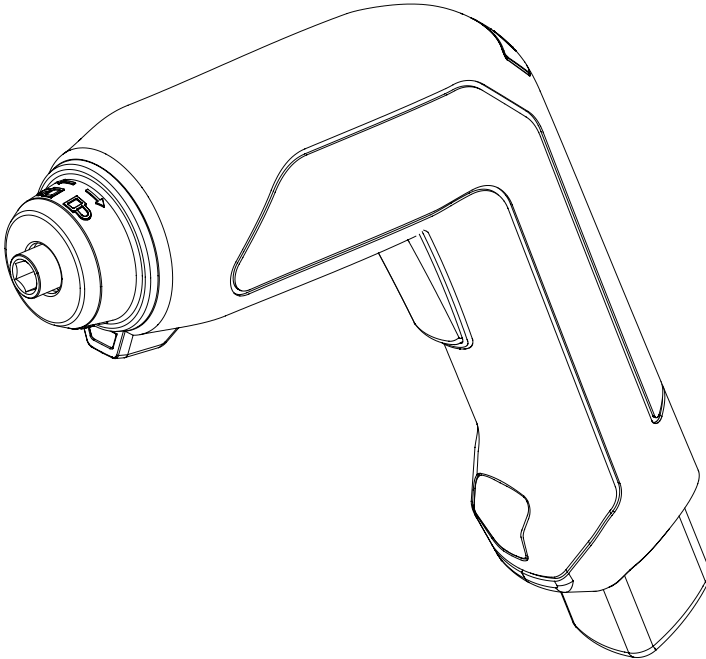


**GB**

## **4V VITA SCREWDRIVER**

**Original Instructions**



**READ & UNDERSTAND  
INSTRUCTION MANUAL**

**Save all warnings and instructions for future reference.**

# YARD FORCE

## LX VSD1 Original Instructions

### CONTENT

Intended use	04
General safety warnings	04
Product safety warnings	11
Symbols	12
Technical data	15
Description of product	16
Operation	17
Maintenance and storage	21
Troubleshooting	22
Declaration of conformity	23



## INTENDED USE

The The VITA screwdriver and attachment bits are intended for screwing in and loosening screws.

Any use beyond these parameters (different media, applying force) or any changes can lead to serious risks and is regarded as misuse that is contrary to the intended purpose.

## GENERAL SAFETY WARNINGS

### WARNING

Read all the safety notes, instructions, illustrations and technical details supplied with this power tool. Failure to follow the safety notices and instructions may result in an electric shock, fire and/or severe injury.

Keep all safety notes and instructions for future reference.

The term “power tool” used in the safety instructions refers to mains-operated power tools (corded) and battery-powered power tools (cordless).

### Work place safety

1. Keep work area clean and well lit. Cluttered or dark areas invite accidents.
2. Do not operate power tools in explosive atmospheres, such as in the presence of flammable liquids, gases or dust. Power tools create sparks which may ignite the dust or fumes.
3. Keep children and bystanders away while operating a power tool. Distractions can cause you to lose control.

## GENERAL SAFETY WARNINGS

### Electrical safety

1. Power tool plugs must match the outlet. Never modify the plug in any way. Do not use any adapter plugs with earthed (grounded) power tools. Unmodified plugs and matching outlets will reduce risk of electric shock.
2. Avoid body contact with earthed or grounded surfaces, such as pipes, radiators, ranges and refrigerators. There is an increased risk of electric shock if your body is earthed or grounded.
3. Do not expose power tools to rain or wet conditions. Water entering a power tool will increase the risk of electric shock.
4. Do not abuse the cord. Never use the cord for carrying, pulling or unplugging the power tool. Keep cord away from heat, oil, sharp edges or moving parts. Damaged or entangled cords increase the risk of electric shock.
5. When operating a power tool outdoors, use an extension cord suitable for outdoor use. Use of a cord suitable for outdoor use reduces the risk of electric shock.
6. If operating a power tool in a damp location is unavoidable, use a residual current device (RCD) protected supply. Use of an RCD reduces the risk of electric shock.

## GENERAL SAFETY WARNINGS

### Personal safety

1. Stay alert, watch what you are doing and use common sense when operating a power tool. Do not use a power tool while you are tired or under the influence of drugs, alcohol or medication. A moment of inattention while operating power tools may result in serious personal injury.
2. Use personal protective equipment. Always wear eye protection. Protective equipment such as a dust mask, non-skid safety shoes, hard hat or hearing protection used for appropriate conditions will reduce personal injuries.
3. Prevent unintentional starting. Ensure the switch is in the off-position before connecting to power source and/or battery pack, picking up or carrying the tool. Carrying power tools with your finger on the switch or energising power tools that have the switch on invites accidents.
4. Remove any adjusting key or wrench before turning the power tool on. A wrench or a key left attached to a rotating part of the power tool may result in personal injury.
5. Do not overreach. Keep proper footing and balance at all times. This enables better control of the power tool in unexpected situations.
6. Dress properly. Do not wear loose clothing or jewellery. Keep your hair and clothing away from moving parts. Loose clothes, jewellery or long hair can be caught in moving parts.

## GENERAL SAFETY WARNINGS

7. If devices are provided for the connection of dust extraction and collection facilities, ensure these are connected and properly used. Use of dust collection can reduce dust-related hazards.
8. Do not let familiarity gained from frequent use of tools allow you to become complacent and ignore tool safety principles. A careless action can cause severe injury within a fraction of a second.

### Power tool use and care

1. Do not force the power tool. Use the correct power tool for your application. The correct power tool will do the job better and safer at the rate for which it was designed.
2. Do not use the power tool if the switch does not turn it on and off. Any power tool that cannot be controlled with the switch is dangerous and must be repaired.
3. Disconnect the plug from the power source and/or remove the battery pack, if detachable, from the power tool before making any adjustments, changing accessories, or storing power tools. Such preventive safety measures reduce the risk of starting the power tool accidentally.
4. Store idle power tools out of the reach of children and do not allow persons unfamiliar with the power tool or these instructions to operate the power tool. Power tools are dangerous in the hands of untrained users.

## GENERAL SAFETY WARNINGS

5. Maintain power tools and accessories. Check for misalignment or binding of moving parts, breakage of parts and any other condition that may affect the power tool's operation. If damaged, have the power tool repaired before use. Many accidents are caused by poorly maintained power tools.
6. Keep cutting tools sharp and clean. Properly maintained cutting tools with sharp cutting edges are less likely to bind and are easier to control.
7. Use the power tool, accessories and tool bits etc. in accordance with these instructions, taking into account the working conditions and the work to be performed. Use of the power tool for operations different from those intended could result in a hazardous situation.
8. Keep handles and grasping surfaces dry, clean and free from oil and grease. Slippery handles and grasping surfaces do not allow for safe handling and control of the tool in unexpected situations.

### **Battery tool use and care**

1. Recharge only with the charger specified by the manufacturer. A charger that is suitable for one type of battery pack may create a risk of fire when used with another battery pack.
2. Use power tools only with specifically designated battery packs. Use of any other battery packs may create a risk of injury and fire.

## GENERAL SAFETY WARNINGS

3. When battery pack is not in use, keep it away from other metal objects, like paper clips, coins, keys, nails, screws or other small metal objects, that can make a connection from one terminal to another. Shorting the battery terminals together may cause burns or a fire.
4. Under abusive conditions, liquid may be ejected from the battery; avoid contact. If contact accidentally occurs, flush with water. If liquid contacts eyes, additionally seek medical help. Liquid ejected from the battery may cause irritation or burns.
5. Do not use a battery pack or tool that is damaged or modified. Damaged or modified batteries may exhibit unpredictable behaviour resulting in fire, explosion or risk of injury.
6. Do not expose a battery pack or tool to fire or excessive temperature. Exposure to fire or temperature above 130°C may cause explosion.
7. Follow all charging instructions and do not charge the battery pack or tool outside the temperature range specified in the instructions. Charging improperly or at temperatures outside the specified range may damage the battery and increase the risk of fire.

## GENERAL SAFETY WARNINGS

### Service

1. Have your power tool serviced by a qualified repair person using only identical replacement parts. This will ensure that the safety of the power tool is maintained.
2. Never service damaged battery packs. Service of battery packs should only be performed by the manufacturer or authorized service providers.

**SAVE THESE INSTRUCTIONS!**

## PRODUCT SAFETY WARNINGS

### Safety Warnings for Screwdrivers

- Hold the power tool by insulated gripping surfaces, when performing an operation where the fastener may contact hidden wiring. Fasteners contacting a "live" wire may make exposed metal parts of the power tool "live" and could give the operator an electric shock.
- Use suitable detectors to determine if there are hidden supply lines or contact the local utility company for assistance. Contact with electric cables can cause fire and electric shock. Damaging gas lines can lead to explosion. Breaking water pipes causes property damage.
- Hold the power tool securely. When tightening and loosening screws be prepared for temporarily high torque reactions.
- Secure the workpiece. A workpiece clamped with clamping devices or in a vice is held more secure than by hand.
- Always wait until the power tool has come to a complete stop before placing it down. The application tool can jam and cause you to lose control of the power tool.

## SYMBOLS

### Safety symbols

The purpose of safety symbols is to attract your attention to possible dangers. The safety symbols and the explanations with them require your careful attention and full understanding. The symbol warnings do not, by themselves, eliminate any danger. The instructions and warnings they give are no substitutes for proper accident prevention measures.

**WARNING:** Be sure to read and understand all safety instructions in this operator's manual, including all safety alert symbols such as "**DANGER**", "**WARNING**", and "**CAUTION**" before using this tool. Failure to follow all instructions listed below may result in electric shock, fire and/or serious personal injury.

**SAFETY ALERT SYMBOL:** Indicates **DANGER**, **WARNING**, or **CAUTION**. May be used in conjunction with other symbols or pictographs.

### Symbol meaning

This page depicts and describes safety symbols that may appear on this product. Read, understand and follow all instructions on the machine before attempting to assemble and operate.

## SYMBOLS



Read the instructions for use before use!



WEEE symbol. Waste electrical products should not be disposed of with household waste. Please recycle where facilities exist. Check with your Local Authority or local store for recycling advice.



The product complies with the applicable European directives and an evaluation method of conformity for these directives was done.



A product placed on the United Kingdom market meets the UKCA Marking requirements.



Do not expose to rain or water.

## SYMBOLS

### Warning symbols on the battery pack



To reduce the risk of injury, user must read the instruction manual carefully.



Do not throw into water.



Do not throw to fire.



Do not subject the battery to strong sunlight over long periods of time. Do not leave on a heater (max.45°C).



Li-Ion Batteries contain Li-Ion. Do not dispose of waste batteries in domestic waste. Contact Local Authority to find out how to dispose of batteries.



WEEE symbol. Waste electrical products should not be disposed of with household waste. Please recycle where facilities exist. Check with your Local Authority or local store for recycling advice.

## TECHNICAL DATA

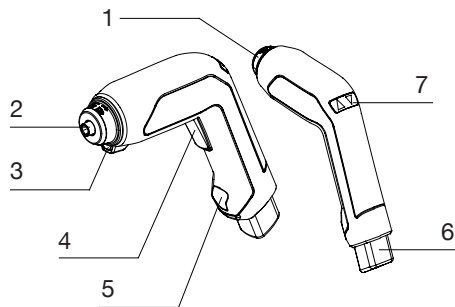
Model		LX VSD1
Mains voltage		4 V $\text{---}$
No load speed		230 $\text{min}^{-1}$
Max. screw diameter		5 mm
Max. torque		3.5 Nm
Weight:		0.46 kg
Battery pack model		AL V40
Capacity		4 V $\text{---}$ , 4.0 Ah



## DESCRIPTION OF PRODUCT

### Parts description (Fig. A)

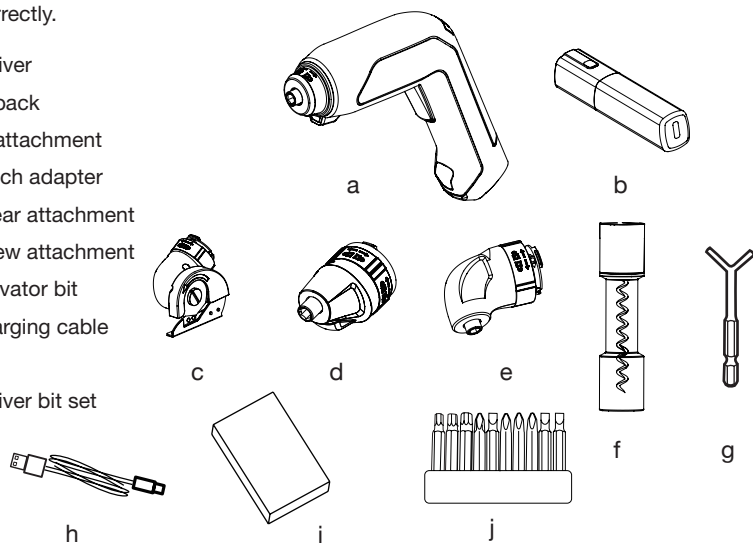
1. Rubber cap
2. Tool holder
3. Worklight
4. ON/OFF trigger
5. Battery pack release button
6. Battery pack
7. Touch Panel (Forward/ reverse)



### Delivery contents (Fig. B)

Carefully unpack the appliance and check that it is complete. Dispose of the packaging material correctly.

- a. Screwdriver
- b. Battery pack
- c. Cutting attachment
- d. Easy reach adapter
- e. Angle gear attachment
- f. Corkscrew attachment
- g. Soil cultivator bit
- h. USB charging cable
- i. Manual
- j. Screwdriver bit set



**WARNING:** If any parts are damaged or missing, do not operate this tool until these parts are replaced. Failure to heed this warning could result in serious personal injury.



**NOTE:** Always recycle the packaging in accordance with local recycling guidelines.

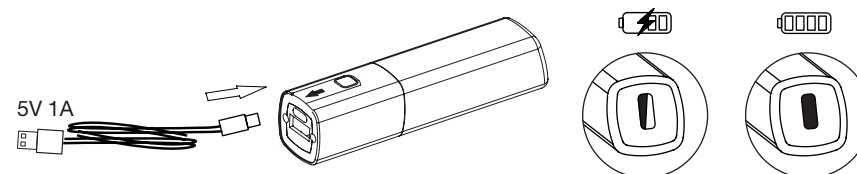
## OPERATION

### Charging the battery pack

**WARNING!** Do not use other charging wires which are not recommended by the manufacturer.

**NOTE:** The battery is supplied partially charged. To ensure full capacity of the battery, fully charge the battery before using it on the product.

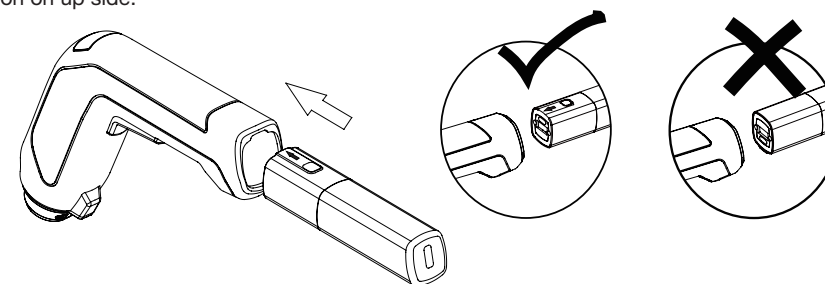
1. Connect the battery with the charging wire (Type C adaptor).
2. Connect the USB to the power source plug rated at 5V-1A
3. The green LED indicator will flash during normal charging.
4. The Indicator will show solid green light when battery pack has been fully charged.



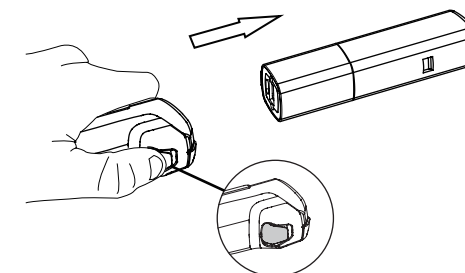
### Insert the battery

- Insert the battery in to the device; make sure the battery pack is in the right orientation.

**IMPORTANT:** Make sure that the battery pack is inserted in the right orientation, torch light button on up side.



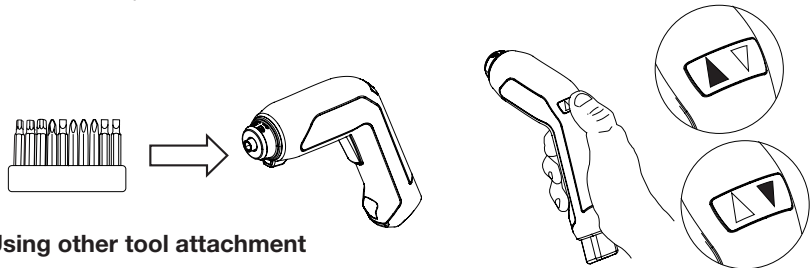
- If you want to uninstall the battery pack, press the battery pack release lever and then remove the battery pack.



## OPERATION

### Using the tool

- Insert the screwdriver bit directly into the tool holder.
- Touch the panel to select the clockwise or anti-clockwise drive head direction.



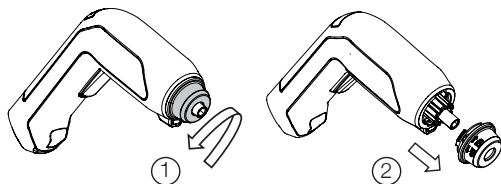
### Using other tool attachment

**WARNING:** Before changing the Adaptors always remove the battery pack.

**NOTE:** Before fitting other tool attachments, pull off the plastic cap firstly.

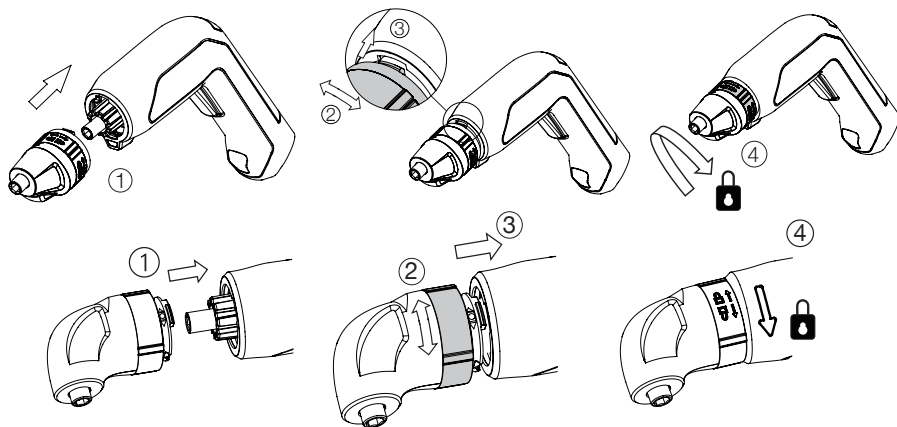
### Cap removal

- Holding the cap rotate the cap anti-clockwise.
- Remove the cap.



### Assembly the Angle screw attachment and Easy reach adapter

- Align the collar marking on the attachment with the main housing as pictured and insert attachment.
- Rotate the collar clockwise to lock in place.
- Removal of the the attachment is the reverse procedure.



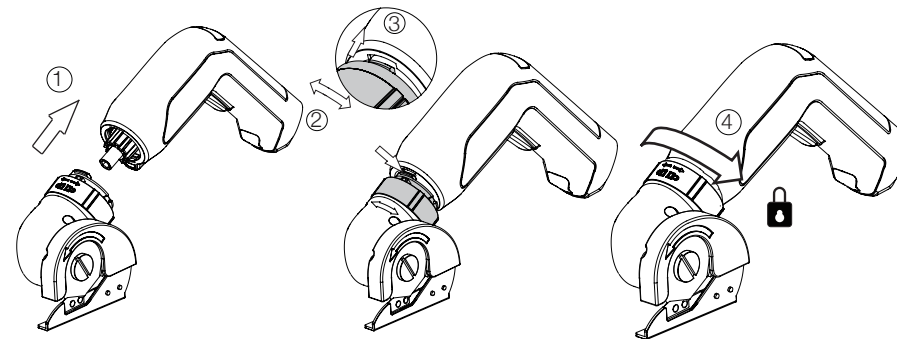
## OPERATION

### Assembly the cutter adapter

**WARNING:** Before performing installation, always ensure that the battery pack has been removed.

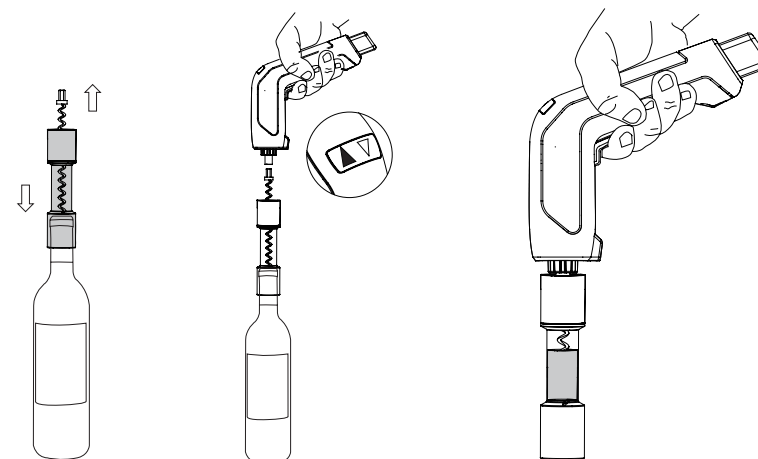
**WARNING:** Always wear heavy duty gloves when adjusting or cleaning, especially when handling sharp objects.

- Align the collar marking on the attachment with the main housing as pictured and insert attachment.
- Rotate the collar clockwise to lock in place.
- Removal of the the attachment is the reverse procedure.



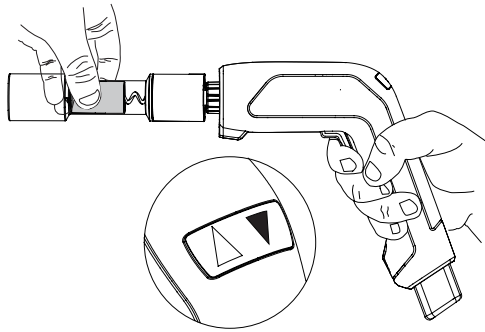
### Using the Corkscrew attachment

- Place the corkscrew attachment onto the bottle (the screw wire will be stick out a little).
- Attach the drill to the attachment and select the rotation direction Arrow "symbols"



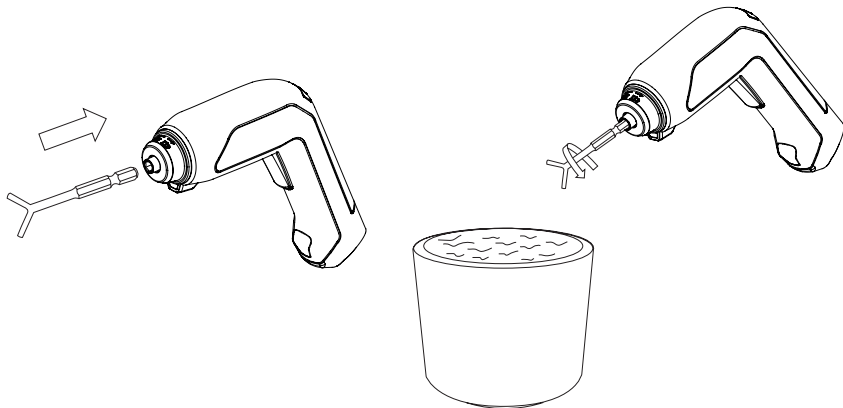
## OPERATION

- Holding the cork and select the reverse arrow to remove the attachment from the cork.



### Using the Small cultivator attachment

Insert the cultivator attachment directly into the tool holder. The cultivator attachment is used for loosening the soil in plant pots or borders.



## MAINTENANCE AND STORAGE

**WARNING:** Always remove the battery pack before carrying out any cleaning, maintenance and storage.

**WARNING:** Always wear protective gloves before doing any cleaning and maintenance.

### Maintenance

1. Always switch the product off, disconnect the battery pack and let the product cool down before performing inspection, maintenance and cleaning work.
2. Keep the product clean. Remove debris from it after each use and before storage, using a soft damp cloth.
3. Regular and proper cleaning will help ensure safe use and prolong the life of the product.
4. Inspect the product before each use for worn or damaged parts. Do not operate if you find broken or worn parts.

**WARNING!** Only perform repairs and maintenance work according to these instructions. All further works must be performed by a qualified specialist.

### Cleaning

**WARNING:** Remove the battery pack before making any cleaning or repairs.

Before cleaning, inspecting or repairing your unit, make sure that the motor has stopped and is cool. Disconnect the battery pack to prevent accidental starting.

**NOTE:** To ensure the best performance of your product, it is important to keep it clean.

Always clean your cordless screw driver immediately after use.

Do not allow debris to become dry and hard on any of the product surfaces. This will directly affect the performance. Never clean the product with a water jet or high pressure cleaner. The motor must remain dry. Do not use aggressive cleaning agents such as cold cleaner or petroleum ether.

### Transportation

1. Disconnect the battery pack from the machine before transporting it anywhere.
2. Attach transportation guards, if applicable.
3. Always transport the product by its handle. When lifting the product use the transportation handle as an aid.
4. Protect the product from any heavy impact or strong vibrations which may occur during transportation in vehicles.
5. Secure the product to prevent it from slipping or falling over.

## MAINTENANCE AND STORAGE

### Storage

1. Clean the product as described above and disconnect the battery pack.
2. Store the product and its accessories in a dry, frost-free area.
3. Always store the product in a place that is inaccessible to children. The ideal storage temperature is between 10°C and 30°C.
4. We recommend using the original packaging for storage or covering the product with a suitable cloth or enclosure to protect it against dust.

## TROUBLESHOOTING

Fault	Possible cause	Troubleshooting
Device fails to start	Battery pack discharged?	Charge the battery
	Battery pack defective?	Contact service center
	Is the device defective?	Contact service center
	Battery pack not fully inserted	Reinsert battery pack fully (sound "click")
Bad Performance	Gearbox broken	Contact service center
Device turns in wrong direction	Wrong direction selected?	Change direction by touching button
Not easy to install the attachment	lock ring is not in the right place	Align the collar marking on the attachment with the main housing as pictured and insert attachment.

## DECLARATION OF CONFORMITY

### To the provisions of Council Directives

We  
**MEROTEC GmbH**  
 Otto-Brenner-Str. 8, 47877 Willich, Germany

Declare that the product:  
 Description: 4V Screwdriver  
 Model No. LX VSD1  
 Function: screwing in and loosening screws


### Complies with the essential health and safety requirements of the following directives:

Machinery Directive 2006/42/EC  
 Low Voltage Directive 2014/35/EU  
 Electromagnetic Compatibility Directive 2014/30/EU  
 EC Directive 2011/65/EU and its amendment Directive (EU) 2015/863 (RoHS)

### Standards and technical specification referred to:

EN 62841-1:2015  
 EN 62841-2-2: 2014  
 EN 55014-1:2021  
 EN 55014-2:2021  
 EN 50581:2012

Authorized Signatory  
 Date: 18.01.2023

Signature:   
 Place: Willich  
 Name: Ronald Menken  
 General Manager

MEROTEC GmbH  
 Otto-Brenner-Str. 8  
 D-47877 Willich



## DECLARATION OF CONFORMITY

To the provisions of Council Directives

We

SUMEC UK

Unit A&B Escrick Business Park Escrick, York YO19 6FD  
United Kingdom

Declare that the product:

Description: 4V Screwdriver

Model No. LX VSD1

Function: screwing in and loosening screws

**Complies with the essential health and safety requirements of the following directives:**

Supply of Machinery (Safety) Regulations 2008

Electrical Equipment (Safety) Regulations 2016

The Restriction of the Use of Certain Hazardous Substances in Electrical and Electronic Equipment Regulations 2012

**Standards and technical specification referred to:**

EN 62841-1:2015

EN 62841-2-2: 2014

EN 55014-1:2021

EN 55014-2:2021

EN 50581:2012

Authorized Signatory

Date: 18.01.2023

Signature: M. Hall

Place: York

Name: Mariana Hall

General Manager

SUMEC UK Co.,Ltd.

Unit A&B Escrick Business Park

Escrick, York YO19 6FD

United Kingdom

**UK  
CA**