



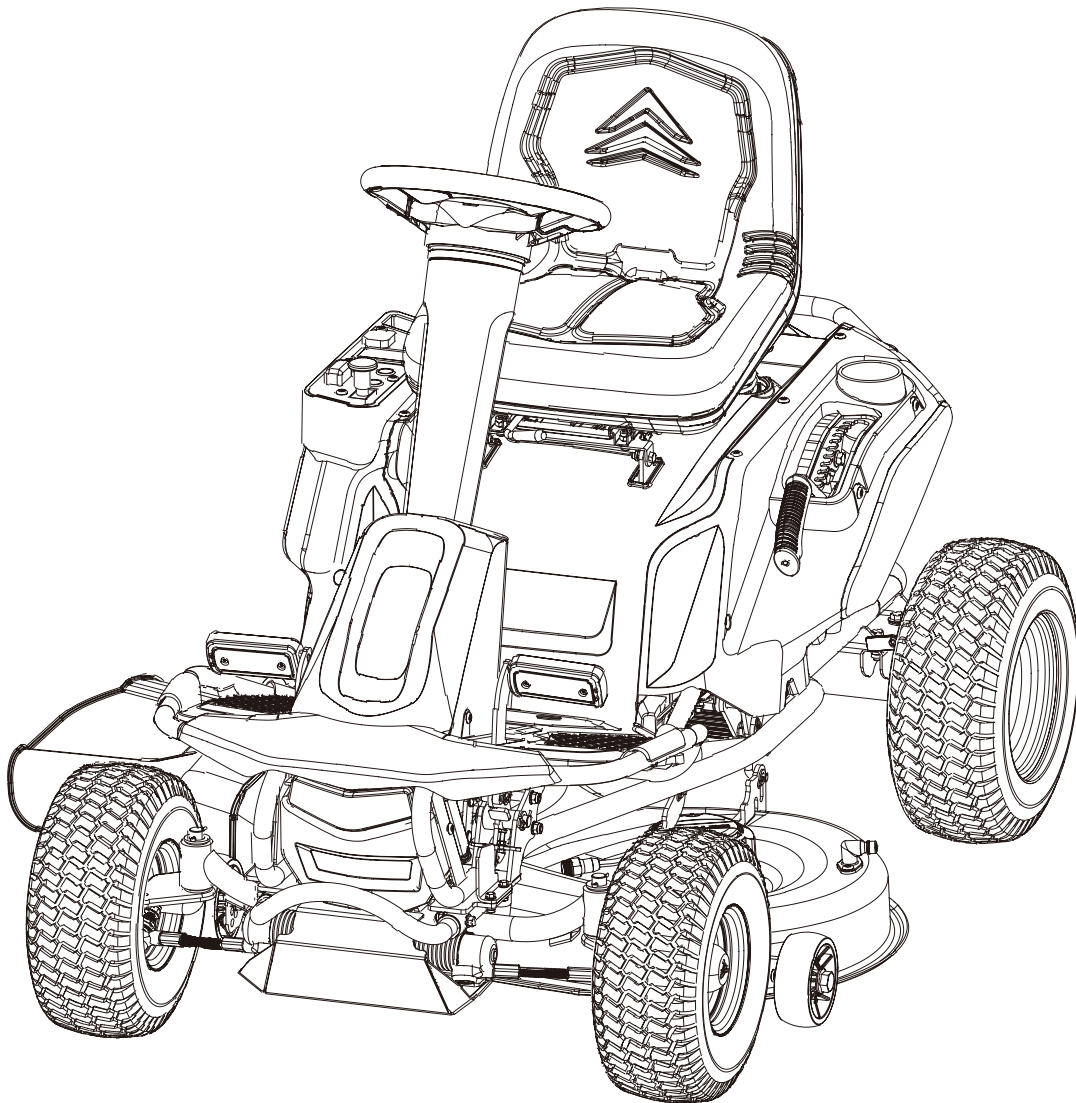
YARD FORCE®

FOR LIFE ON THE GO

ProRider E559

56V RIDE-ON LAWNMOWER

Original Instructions



READ & UNDERSTAND INSTRUCTION MANUAL

Save all warnings and instructions for future reference.

CONTENT

Symbols	03
General safety warnings	07
Product safety warnings	11
Description of product	15
Technical data	18
Installation	20
Operation	25
Maintenance and storage	33
Troubleshooting	40
Declaration of conformity	42

SYMBOLS

Safety symbols

The purpose of safety symbols is to attract your attention to any possible dangers. The safety symbols and their explanations deserve your careful attention and full understanding. The symbol warnings do not, by themselves, eliminate any danger. The instructions and warnings they give are no substitute for proper accident prevention measures.



WARNING: Be sure to read and understand all safety instructions within this operator's manual, including all safety alert symbols such as "**DANGER**", "**WARNING**", and "**CAUTION**" before using this tool. Failure to follow all instructions listed below may result in electric shock, fire and/or serious personal injury.

SAFETY ALERT SYMBOLS: Indicate **DANGER**, **WARNING**, or **CAUTION**. Maybe used in conjunction with other symbols or pictographs.

Symbol meanings

This page depicts and describes safety symbols that may appear on this product. Read, fully understand and follow all instructions on the machine before attempting to assemble and operate.



To reduce the risk of injury, user must read instruction manual carefully.



Wet Conditions Alert. Do not expose to rain or use in damp locations.



Failure to use in dry conditions and to observe safe practices can result in electric shock.



Keep hands and feet away from blade and cutting area.



Do not reach hands or feet under mower deck.



Do not operate on steep slopes or inclines greater than 12°. Mow up and down the face of slopes, never across.



Keep all children, bystanders, and animals at least 30 m away.

SYMBOLS



Thrown objects can ricochet and result in personal injury or property damage.



Thrown objects can ricochet and result in personal injury or property damage. Never direct discharged material toward anyone.



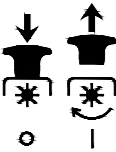
Never carry children or anyone, even when the blades are off.



Always look down and behind you before and during backing and make sure children, bystanders, and pets are clear of the area.



RMO Mower can be operated in reverse with blades engaged when RMO button is pushed and red button light is on. Always look down and behind you before and when maneuvering in reverse. Mowing in reverse is not recommended.



Lift the blade engagement button up to engage. Press the blade engagement button down to disengage.



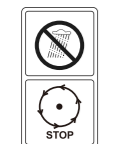
Remove disabling device before performing any maintenance tasks.



Wear ear protection, eye protection and gloves when using the product.



Guaranteed sound power level value is 100 dB



Avoid using tool in the rain.
Wait until all machine components have completely stopped before touching them.



WEEE symbol. Waste electrical products should not be disposed of with household waste. Please recycle where facilities exist. Check with your Local Authority or local store for recycling guidelines.

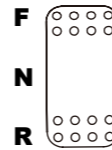
SYMBOLS



The product complies with the applicable European directives and an evaluation method of conformity for these directives was done.



Conforms to relevant UK regulatory requirements.



Driving position, **F**: Forward, **N**: Neutral, **R**: Reverse (Backwards)



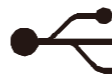
Head light



Cruise control system



Main Switch



USB port

Symbols on the battery



Caution!
These instructions must be read.



Batteries contain Li-Ion and should not be disposed with general household waste. Contact your Local Authority for disposal advice.

Li-Ion

SYMBOLS



Prevent lightning damage to the machine.



The product complies with the applicable European directives and an evaluation method of conformity for these directives was done.



Prevent fire or high temperature damage to the machine



Separate waste collection of the products and packaging allows the materials to be recycled and reused. Reuse of recycled materials help to prevent environmental pollution and reduces the demand for raw materials.

Symbols on the charger



To reduce the risk of injury, user must read the instruction manual carefully.



The charger is for indoor use only.



Double insulation



WEEE symbol. Waste electrical products should not be disposed of with household waste. Please recycle where facilities exist. Check with your Local Authority or local store for recycling advice.



The product complies with the applicable European directives and an evaluation method of conformity for these directives was done.



Protective 8 A limited

GENERAL SAFETY WARNINGS

WARNING: Read all safety warnings and instructions. Failure to follow the warnings and instructions may result in electric shock, fire and/or serious personal injury.

**IMPORTANT
READ CAREFULLY BEFORE USE
KEEP FOR FUTURE REFERENCE**

The term "power tool" in the warnings refers to your mains-operated (corded) power tool or battery-operated (cordless) power tool.

Work area safety

1. Keep work area clean and well lit. Cluttered or dark areas invite accidents.
2. Do not operate power tools in explosive atmospheres, such as in the presence of flammable liquids, gases or dust. Power tools create sparks which may ignite the dust or fumes.
3. Keep children and bystanders away while operating a power tool. Distractions can cause you to lose control.

Electrical safety

1. Power tool plugs must match the outlet. Never modify the plug in any way. Do not use any adapter plugs with earthed (grounded) power tools. Unmodified plugs and matching outlets will reduce risk of electric shock.
2. Avoid body contact with earthed or grounded surfaces, such as pipes, radiators, ranges and refrigerators. There is an increased risk of electric shock if your body is earthed or grounded.
3. Do not expose power tools to rain or wet conditions. Water entering a power tool will increase the risk of electric shock.
4. Do not abuse the cord. Never use the cord for carrying, pulling or unplugging the power tool. Keep cord away from heat, oil, sharp edges or moving parts. Damaged or entangled cords increase the risk of electric shock.
5. When operating a power tool outdoors, use an extension cord suitable for outdoor use. Use of a cord suitable for outdoor use reduces the risk of electric shock.
6. If operating a power tool in a damp location is unavoidable, use a residual current device (RCD) protected supply. Use of an RCD reduces the risk of electric shock.

NOTE: The term "residual current device (RCD)" can be replaced by the term "ground fault circuit interrupter (GFCI)" or "earth leakage circuit breaker (ELCB)".

GENERAL SAFETY WARNINGS

DANGER

Moisture and electricity are not compatible:

- Make sure your hands are dry when handling and connecting the electrical cables.
- Never connect an electrical socket or a cable in a wet area (presence of puddles or damp terrain).
- If necessary, use an extension cord with integrated watertight and type-approved sockets, available on the market.
- The pre-installation of a charging socket, connected to the mains power network of the building must be carried out by a qualified electrician and must be suitably protected by a differential (RCD-Residual Current Device) with a release current compliant with legislation in force.
- Incorrect connection can cause short circuits and serious personal injury, including death.
- To prevent interruptions in the supply of electrical power during charging operations:
 - check that the overall capacity of the electrical system is suitable,
 - connect the machine to a power socket with sufficient amperage,
 - avoid simultaneous use of other electrical appliances with high energy draw.

Personal safety

1. Stay alert, watch what you are doing and use common sense when operating a power tool. Do not use a power tool while you are tired or under the influence of drugs, alcohol or medication. A moment of inattention while operating power tools may result in serious personal injury.
2. Use personal protective equipment. Always wear eye protection. Protective equipment such as a dust mask, non-skid safety shoes, hard hat or hearing protection used for appropriate conditions will reduce personal injuries.
3. Prevent unintentional starting. Ensure the switch is in the off-position before connecting to power source and/or battery pack, picking up or carrying the tool. Carrying power tools with your finger on the switch or energising power tools that have the switch on invites accidents.
4. Remove any adjusting key or wrench before turning the power tool on. A wrench or a key left attached to a rotating part of the power tool may result in personal injury.
5. Do not overreach. Keep proper footing and balance at all times. This enables better control of the power tool in unexpected situations.
6. Dress properly. Do not wear loose clothing or jewellery. Keep your hair and clothing away from moving parts. Loose clothes, jewellery or long hair can be caught in moving parts.
7. If devices are provided for the connection of dust extraction and collection facilities, ensure these are connected and properly used. Use of dust collection can reduce dust-related hazards.

GENERAL SAFETY WARNINGS

8. Do not let familiarity gained from frequent use of tools allow you to become complacent and ignore tool safety principles. A careless action can cause severe injury within a fraction of a second.

Power tool use and care

1. Do not force the power tool. Use the correct power tool for your application. The correct power tool will do the job better and safer at the rate for which it was designed.
2. Do not use the power tool if the switch does not turn it on and off. Any power tool that cannot be controlled with the switch is dangerous and must be repaired.
3. Disconnect the plug from the power source and/or remove the battery pack, if detachable, from the power tool before making any adjustments, changing accessories, or storing power tools. Such preventive safety measures reduce the risk of starting the power tool accidentally.
4. Store idle power tools out of the reach of children and do not allow persons unfamiliar with the power tool or these instructions to operate the power tool. Power tools are dangerous in the hands of untrained users.
5. Maintain power tools and accessories. Check for misalignment or binding of moving parts, breakage of parts and any other condition that may affect the power tool's operation. If damaged, have the power tool repaired before use. Many accidents are caused by poorly maintained power tools.
6. Keep cutting tools sharp and clean. Properly maintained cutting tools with sharp cutting edges are less likely to bind and are easier to control.
7. Use the power tool, accessories and tool bits etc. in accordance with these instructions, taking into account the working conditions and the work to be performed. Use of the power tool for operations different from those intended could result in a hazardous situation.
8. Keep handles and grasping surfaces dry, clean and free from oil and grease. Slippery handles and grasping surfaces do not allow for safe handling and control of the tool in unexpected situations.

Battery tool use and care

1. Recharge only with the charger specified by the manufacturer. A charger that is suitable for one type of battery pack may create a risk of fire when used with another battery pack.
2. Use power tools only with specifically designated battery packs. Use of any other battery packs may create a risk of injury and fire.
3. When battery pack is not in use, keep it away from other metal objects, like paper clips, coins, keys, nails, screws or other small metal objects, that can make a connection from one terminal to another. Shorting the battery terminals together may cause burns or a fire.
4. Under abusive conditions, liquid may be ejected from the battery; avoid contact. If contact accidentally occurs, flush with water. If liquid contacts eyes, additionally seek medical help. Liquid ejected from the battery may cause irritation or burns.
5. Do not use a battery pack or tool that is damaged or modified. Damaged or modified batteries may exhibit unpredictable behaviour resulting in fire, explosion or risk of injury.

GENERAL SAFETY WARNINGS

6. Do not expose a battery pack or tool to fire or excessive temperature. Exposure to fire or temperature above 130 °C may cause explosion
7. Follow all charging instructions and do not charge the battery pack or tool outside the temperature range specified in the instructions. Charging improperly or at temperatures outside the specified range may damage the battery and increase the risk of fire.

Service

1. Have your power tool serviced by a qualified repair person using only identical replacement parts. This will ensure that the safety of the power tool is maintained.
2. Never service damaged battery packs. Service of battery packs should only be performed by the manufacturer or authorized service providers.

PRODUCT SAFETY WARNINGS

Training

1. Become acquainted with the controls and the proper use of the machine. Learn how to stop the machine quickly.
2. Never allow the machine to be used by children or individuals who are not familiar with the instructions. Local laws may establish a minimum age for users.
3. Do not allow children or other passengers to ride on the machine.
4. Bear in mind that the user is responsible for accidents or unexpected events occurring to other people or their property. It is the user's responsibility to assess the potential risk of the area where work is to be carried out and to take all the necessary precautions to ensure his own safety and that of others, particularly on slopes or rough, slippery and unstable ground.
5. This manual is an integral part of the machine and therefore must always be accompany it in the case of temporary or definitive transfer.

PRELIMINARY OPERATIONS

Personal Protective Equipment (PPE)

1. Wear suitable clothing, strong work shoes with anti-slip soles, and long pants. Do not operate the machine barefoot or wearing open sandals. Wear hearing protection devices.
2. Use of hearing protections can reduce the ability to hear any warnings (shouting or alarms). Be careful of what occurs around you in the work area.
3. Never wear scarves, shirts, necklaces, bracelets, loose flowing clothing, laces or ties or any hanging or flapping accessory that could catch in the machine or in any objects or materials in the work area.
4. Tie up long hair.

Work / Machine Area

1. Thoroughly inspect the entire work area and remove anything that could be thrown by the machine or damage the cutting means/rotating units (stones, branches, iron wire, bones, etc.).

During operation

Work Area

1. Do not use the machine in environments that pose the risk of explosion, in the presence of flammable liquids, gases or powders. Electrical contact or mechanical rubbing can generate sparks that can ignite powder or vapour.
2. Work only in daylight or with good artificial light in good visibility conditions.
3. Keep people, children and animals away from the work area. Children must be supervised by another adult.
4. Avoid working with wet grass, in the rain and when there is a risk of a thunderstorm, and especially of lightning.
5. Pay careful attention to uneven ground (hills, dips), slopes, hidden hazards and obstacles that could limit visibility.

PRODUCT SAFETY WARNINGS

6. Be very careful near ravines, ditches or embankments. The machine could overturn if a wheel slides over the edge or if the earth gives way.
7. Pay close attention on sloping ground which requires special care to prevent overturning or loss of control of the machine.
8. The main reasons for loss of control are:
 - Insufficient wheel grip.
 - Excessive speed.
 - Sharp changes of direction.
 - Inadequate braking.
 - Type of machine unsuitable for its task.
 - Lack of awareness of the effect of ground conditions.
 - Using the machine for towing.
9. Look out for traffic when using the machine near the road.

NOTICE

The machines detailed in this manual are not designed for use as towing vehicles.

Conduct

1. When working behind the wheel, do not become distracted and maintain the required level of concentration.
2. Exercise caution when reversing or moving backwards. Look behind you to make sure there are no obstacles before and during operations in reverse gear.
3. Pay careful attention when using the attachments that can alter the stability of the machine, especially on slopes.
4. Always keep hands and feet away from the cutting means, when starting and when using the machine.
5. Keep hands and feet away from the seat support. There is the risk of crushing injuries.



WARNING

The cutting means will continue to rotate for a few seconds after disengagement or after switching off the motor.



WARNING

Pay attention to the cutting means assembly with more than one cutting element, since one rotating cutting means can trigger rotation of the others.

PRODUCT SAFETY WARNINGS

SAFETY INSTRUCTION

If something breaks or an accident occurs during work, turn off the motor and remove the key immediately, move the machine away to prevent further damage; if an accident occurs with injuries or third parties are injured, carry out the first aid measures most suitable for the situation immediately and contact the medical authorities for any necessary health care. Carefully remove any debris which could cause damage or injury to persons or animals if ignored.

Restrictions of use

1. Never operate the machine with guards damaged, missing or incorrectly assembled (grass catcher, side discharge guards rear discharge guards)
2. Don't use the machine if the attachment tools are not installed in their seats.
3. Never disengage, deactivate, remove or tamper with the safety systems/ micro switches installed.
4. Do not strain the machine too much and do not use an inappropriate machine for heavy-duty work; if you use the correct machine, you will reduce the risk of hazard and improve the quality of your work.
5. The machine has not been approved for use on public roads. It must be used (as indicated by the highway code) in private areas closed to traffic.

Maintenance

1. Never use the machine with worn or damaged parts. Faulty or worn-out parts must always be replaced and never repaired.
2. Be careful during adjustment of the machine to prevent entrapment of the fingers between moving parts of the cutting means and fixed parts of the machine.
3. Have your machine serviced by a qualified repair person using only identical replacement parts. This will ensure that the safety of the machine is maintained.
4. Do not carry out repairs on the battery. Repairs must be carried out by the manufacturer or by a specialized service centre.

SAFETY INSTRUCTION

The noise and vibration levels shown in these instructions are the maximum levels of the machine. The use of an unbalanced cutting element, the excessive speed of movement, or the absence of maintenance have a significant influence on noise emissions and vibrations.

Consequently, it is necessary to take preventive steps to eliminate possible damage due to high levels of noise and stress from vibration; maintain the machine well, wear ear protection devices, and take breaks whilst working.

PRODUCT SAFETY WARNINGS

ENVIRONMENTAL PROTECTION

Protecting the environment must be a significant and top priority for machine use, to the benefit of civil co-habitation and of the environment that we live in:

1. Scrupulously comply with local regulations for the disposal of packaging, deteriorated parts or any elements with a strong environmental impact; this waste must not be disposed of with regular waste, but must be separated and taken to collection centres, which will recycle the materials.
2. Comply with local regulations for the disposal of waste materials.
3. When the machine is withdrawn from service, do not dispose of it in the environment, but take it to a waste disposal facility in accordance with the local regulations in force.

Do not throw electrical equipment away with domestic waste. According to the European Directive 2012/19/EU on electrical and electronic equipment waste and its implementation in compliance with national standards, old electrical equipment must be collected separately, for eco-compatible recycling. If electrical equipment is disposed of in dumps or in landfills, hazardous substances can leak into the groundwater and contaminate the food chain, damaging your health and well-being. For further information on the disposal of this product, contact your dealer or a domestic waste collection service.



At the end of their working life, dispose of batteries with all due care and in compliance with applicable local Li-Ion legislation. Batteries contain materials classified as hazardous for people and the environment. They must be removed and disposed of separately at a facility that accepts Li-Ion batteries.

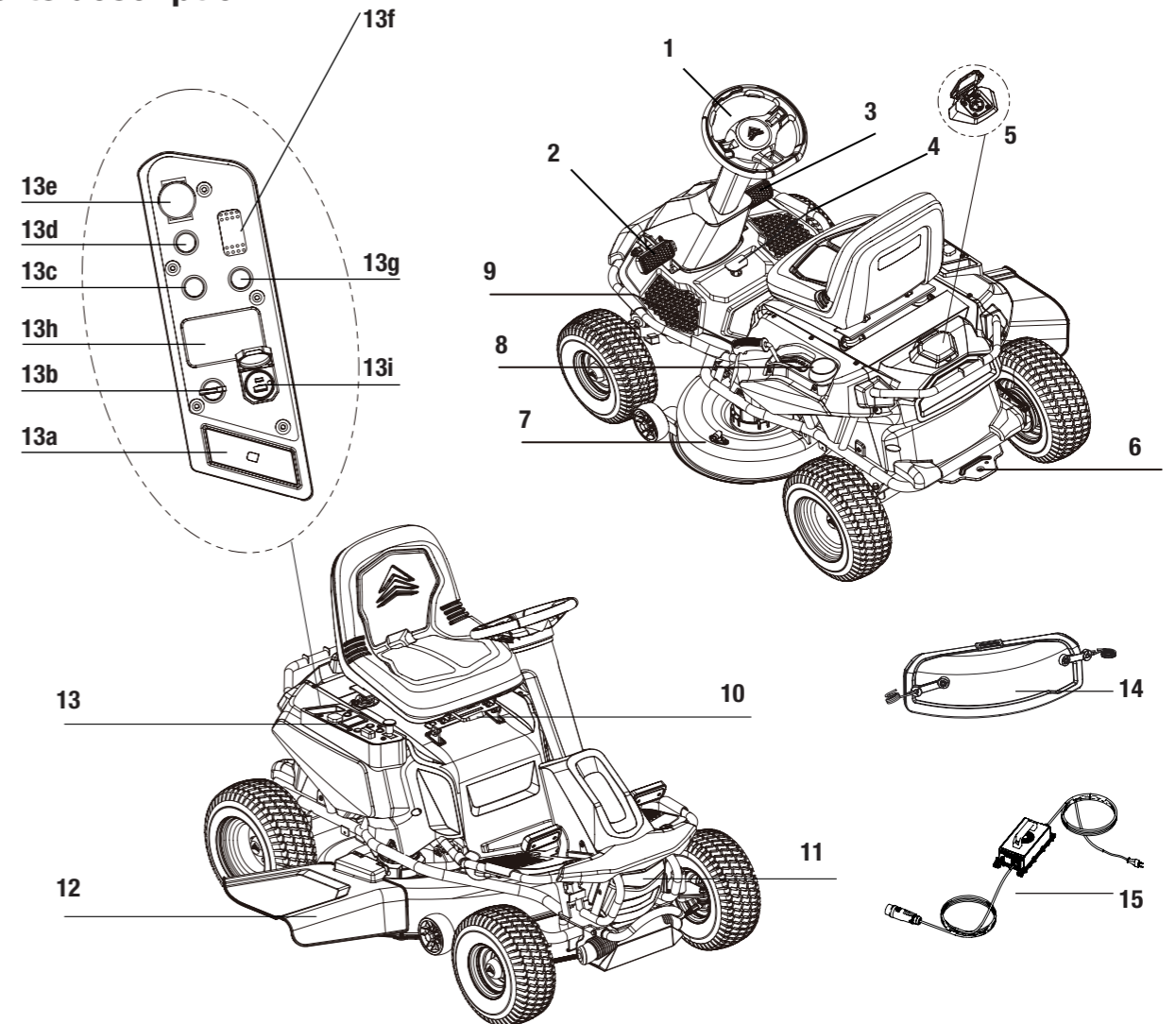


Separate waste collection of the products and packaging allows the materials to be recycled and reused. Reuse of recycled materials help to prevent environmental pollution and reduces the demand for raw materials.



DESCRIPTION OF PRODUCT

Parts description



- | | |
|---------------------------------|---|
| 1. Steering Wheel | 12. Side Discharge Chute |
| 2. Brake Pedal | 13. Control Pannel |
| 3. Accelerator Pedal | 13a. Media Holder |
| 4. Parking Pedal | 13b. Power Switch with Start Key |
| 5. Charging Port | 13c. Headlight Button |
| 6. Hitch Point | 13d. Reverse Mode Button |
| 7. Wash Port | 13e. Blade Engage Knob |
| 8. Cup Holder | 13f. Direction Control Switch |
| 9. Deck Height Adjustment Lever | F = Forward |
| 10. Seat Adjustment Lever | N = Neutral |
| 11. Headlight | R = Reverse |
| | 13g. Cruise Control Button (CCS) |
| | 13h. Battery Level Indicator/
Odometer/Parking Brake Indicator |
| | 13i. USB Port |
| | 14. Mulch Cover |
| | 15. Charger |

DESCRIPTION OF PRODUCT

The safe use of this product requires an understanding of the information on the product and in this operator's manual as well as a knowledge of the project you are attempting. Before use of this product, familiarize yourself with all operating features and safety rules.

- ACCELERATOR PEDAL**
 The accelerator pedal controls the speed of the mower.
- BATTERY LEVEL INDICATOR/ODOMETER/PARKING BRAKE INDICATOR**
 The battery level indicator shows the amount of battery charge remaining. The odometer tracks the total distance the mower has been used (key in ON position) for maintenance purposes.
- BLADE ENGAGE KNOB**
 Pull the blade engage knob up to activate the mower's cutting blades. Push the knob down to stop the cutting blades.
 NOTE: For cutting in reverse, the reverse mode button must also be activated.
- BRAKE PEDAL**
 The brake pedal is used for slowing down and stopping the mower.
- CHARGER**
 The mower's charger has wall mounting holes for convenient mounting or space saving storage. When mounting the charger, use screws in both holes of the mounting flange to secure in place. Always mount in such a way that the charger's LED status light is visible while charging.
- CRUISE CONTROL BUTTON (CCS)**
 The cruise control button allows you to continue forward at a set speed without needing to press the accelerator pedal. While active, pressing the brake pedal or CCS button will stop cruise control.
- DECK HEIGHT ADJUSTMENT LEVER**
 The deck height adjustment lever is used to raise or lower the cutting deck.
- DIRECTION CONTROL SWITCH**
 The direction of movement of the mower is controlled using the direction control switch. Available settings are forward (F), neutral (N) and reverse (R).
- HEADLIGHT BUTTON**
 Turn the headlights ON and OFF using the headlight button.
- MEDIA HOLDER**
 The media holder offers a convenient place to store your cell phone or MP3 player when charging with the USB port.
- MULCH COVER**
 Your mower is equipped with a mulch cover that covers the side discharge opening, which allows the mower blade to cut and recut for finer clippings.
- PARKING PEDAL**
 Use the parking pedal to lock the mower in the braked position. Brake pedal must be depressed before the parking pedal will lock.
- POWER SWITCH WITH START KEY**
 The power switch is used to turn the mower ON and OFF. The start key must be inserted before the switch can be operated.

DESCRIPTION OF PRODUCT

- REVERSE MODE BUTTON**
 Press the reverse mode button to allow the mower to cut when maneuvering in the reverse direction. The blades will disengage if mower is operated in reverse without first pressing the reverse mode button. Once the button is engaged the mower will remain in both reverse and forward mowing mode until the button is pressed again or the blades are disengaged. NOTE: The blade engage knob must also be pulled up for mowing to occur when driving in reverse.
- SEAT ADJUSTMENT LEVER**
 Use the seat adjustment lever to move the seat to the desired position.
- USB PORT**
 The USB charging port provides charging power of 5 Volts DC at up to 2 amps for your cell phone, MP3 player, or other USB devices. Consult the owner's manual for your device for specific charging requirements. Connect one end of a USB cable (not provided) to your device and the other end to the USB charging port on the mower, to begin charging your device.
 NOTE: The USB port is only powered when the start key is in the ON position.

CHECK THE DELIVERY PARTS

Carefully remove all parts from their packaging and check that the following parts are included.



WARNING!

If any parts are damaged or missing, do not operate this lawn mower until the missing parts are replaced. Failure to heed this warning could result in serious personal injury.



NOTICE!

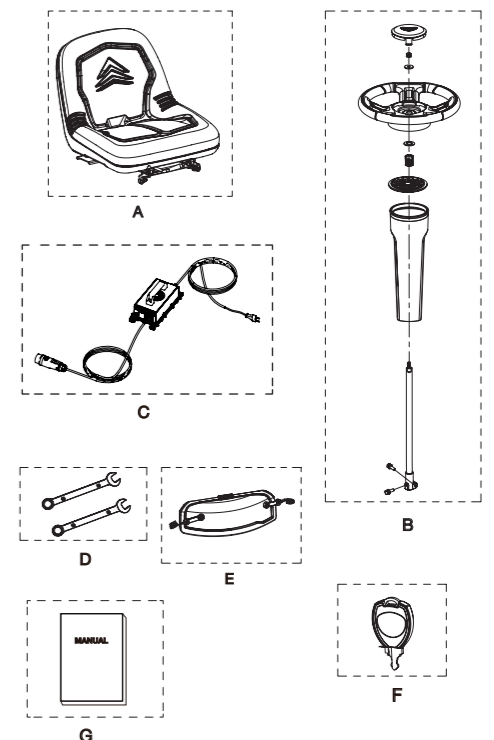
Always recycle the packaging in accordance with local recycling programs.



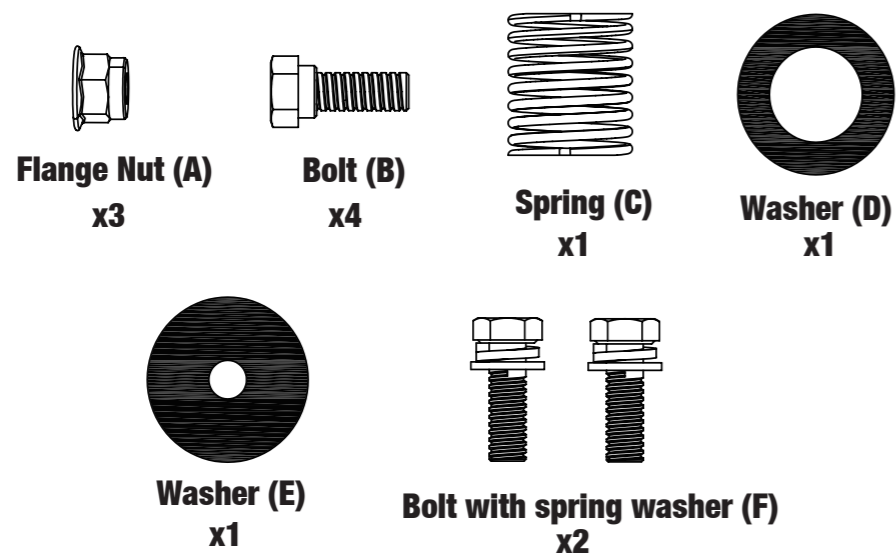
WARNING!

This item requires a two-person lift to remove from the packaging. Make sure that you have sufficient space to put the lawn mower down. Keep your feet apart so that you have a stable position, bend at the knees and keep your back straight.

- | | |
|--|----|
| A. Seat Assembly with Safety Interlock Cable | x1 |
| B. Steering Column Assembly | x1 |
| C. Charger | x1 |
| D. Wrenches | x2 |
| E. Mulch Cover | x1 |
| F. Key | x3 |
| G. Owner's Manual | x1 |



DESCRIPTION OF PRODUCT



TECHNICAL DATA

Dimension	
Assembled Length	1635 mm
Assembled Height	1168 mm
Assembled Width Without Discharge Deflector	1035 mm
Net Weight	210 kg
Mower & Deck	
Pneumatic Tyre Sizes	380 x 153 x 153mm Front 406 x 165 x 203 Rear
Cutting Width	96 cm
Blade Cutting Diameter	49 cm
Number Of Blades	2
Number Of Deck Wheels	2
Cold Tyre Pressure	1.4 bar
Blade Speed	3500 rpm
Deck Lift System	Hand operation
Minimum Cutting Height	38 mm
Maximum Cutting Height	114 mm
Number of Cutting Height Positions	12
Battery	
Battery Type	lithium
Battery Voltage (V)	56
Battery Amp Hours (Ah)	50
Charge Time (hours)	6.25
Charge Cycle (Minimum 80% remaining capacity)	3000
Charger and Mower Operating Temperatures	5~40°C
Charger	
Type	input:100~240V,50~60HZ; Output: 57.6V DC, 8A
Performance	
Maximum Forward Speed	Driving, 12.9 km/h Mowing, 8 km/h
Maximum Reverse Speed	4.8 km/h
Noise	
Measured sound pressure level(L_{pa})	xxxxx
Measured sound power level(L_{wa})	xxxxxx
Guaranteed sound power level	100 dB(A)

TECHNICAL DATA

The declared vibration total value and the declared noise emission values have been measured in accordance with a standard test method (EN62841) and may be used for comparing one tool with another. The declared vibration total value may also be used in a preliminary assessment of exposure.



The vibration and noise emission during actual use of the power tool can differ from the declared total value depending on the ways in which the tool is used, in particular, what kind of work piece is machined.

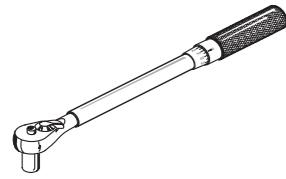
It is necessary to identify safety measures to protect the operator that are based on an estimation of exposure in the actual conditions of use (taking account of all parts of the operating cycle such as the times when the tool is switched off and when it is running idle in addition to the trigger time)

Try to minimize the impact of vibration and noise. Exemplary measures to reduce vibration exposure include wearing gloves while using the tool, limiting working time, and using accessories in good condition.

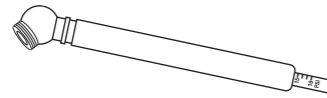
INSTALLATION

TOOLS NEEDED

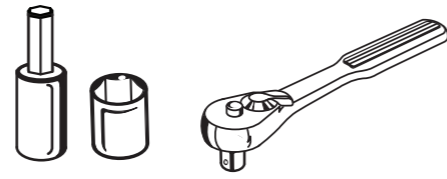
The following tools (not included or drawn to scale) are needed for assembly:



TORQUE WRENCH



TIRE PRESSURE GAUGE



SOCKET WRENCH WITH 12 mm
AND 14 mm SOCKETS AND 6 mm HEX BIT

UNPACKING

- Remove the hardware securing the corner and side braces to the frame bottom, then lift the braces to remove.



WARNING!

Do not discard the hardware to avoid any personal injury.

- Cut the nylon straps securing the front and rear wheel axles to the frame.
- Remove and set aside all accessible packaging and wrap from unit and parts. Do not discard the packing material until you have carefully inspected and satisfactorily operated the product.



WARNING!

If any parts on the Parts List are already assembled to your product when you unpack it, verify the part is assembled correctly, are properly tightened, and is torqued correctly (where applicable) before proceeding to the next assembly step. Use of a product that may have been improperly assembled could result in serious personal injury.

- Inspect the product carefully to make sure no breakage or damage occurred during shipping.
- If any parts are damaged or missing, please call Yard Force customer service.

NOTE: Mower should be assembled while positioned on the frame bottom. Once assembly is complete, raise the cutting deck to its highest position. Position a board such as a standard 50x100 mm along the front of the pallet to create a gradual transition between the frame and the ground. Slowly drive the mower forward.



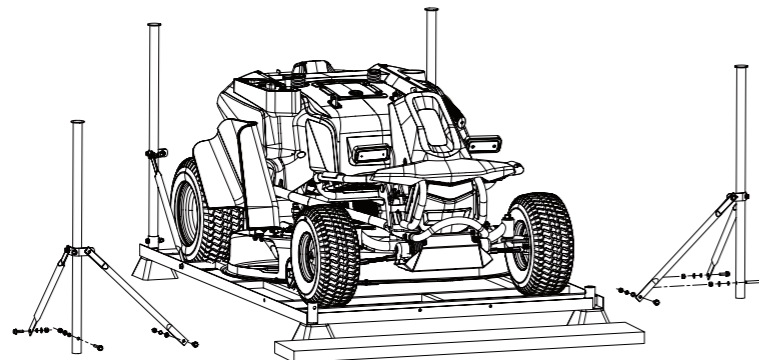
WARNING!

Use care when driving the mower off of the frame and press the brake pedal as needed to control the speed. The mower will freely roll if it is moved on an inclined surface without pressing the brake pedal or setting the parking brake. Failure to follow these instructions can result in loss of control and result in death, serious personal injury, or property damage.



NOTICE!

Driving the mower off the frame in the forward direction without a transition board can cause damage to the mower's cutting deck.



INSTALLATION

ASSEMBLY



WARNING!

Strictly adhere to all torque wrench tightening specifications. Failure to do so could cause serious personal injury.



WARNING!

Do not attempt to modify this product or create accessories not recommended for use with this product. Any such alteration or modification is misuse and could result in a hazardous condition leading to possible serious personal injury.



WARNING!

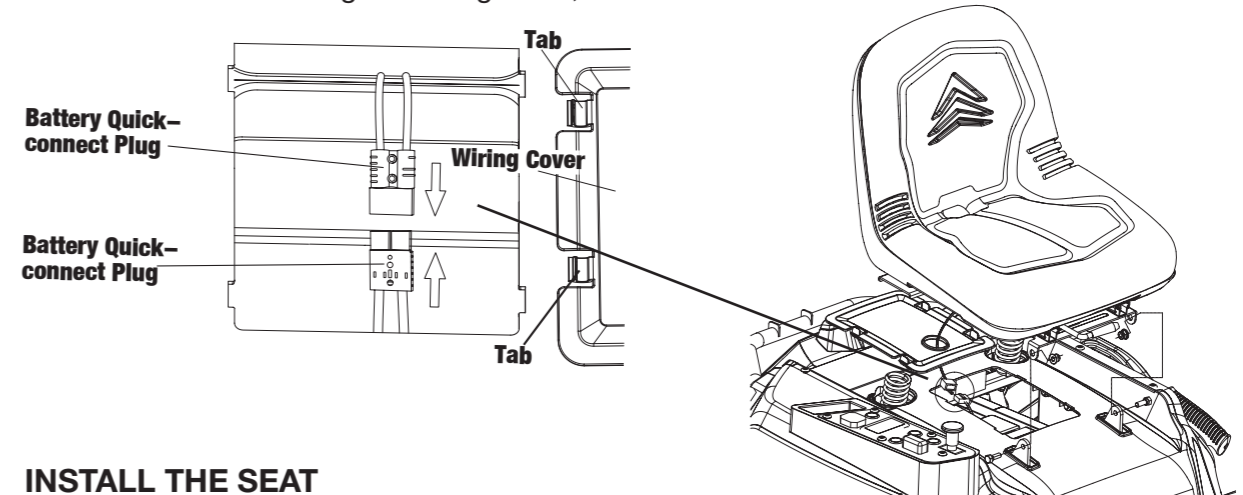
To prevent accidental starting that could cause serious personal injury, always remove the start key from the tool when you are assembling parts.

CONNECT THE BATTERY

When shipped from the factory, the mower's batteries are disconnected. To connect:

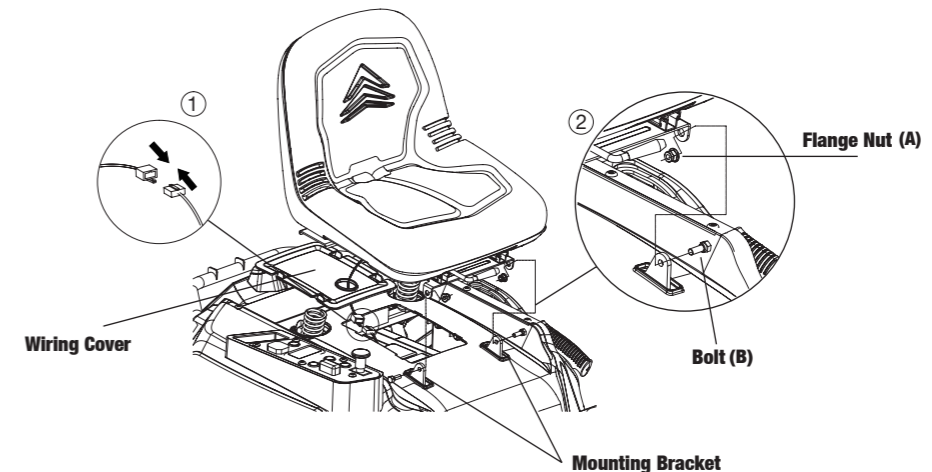
- Press the tabs on the wiring cover and lift the cover to remove.
- Connect the two ends of the battery quick-connect plug together.

NOTE: Before reinstalling the wiring cover, install the seat as described in the next section.



INSTALL THE SEAT

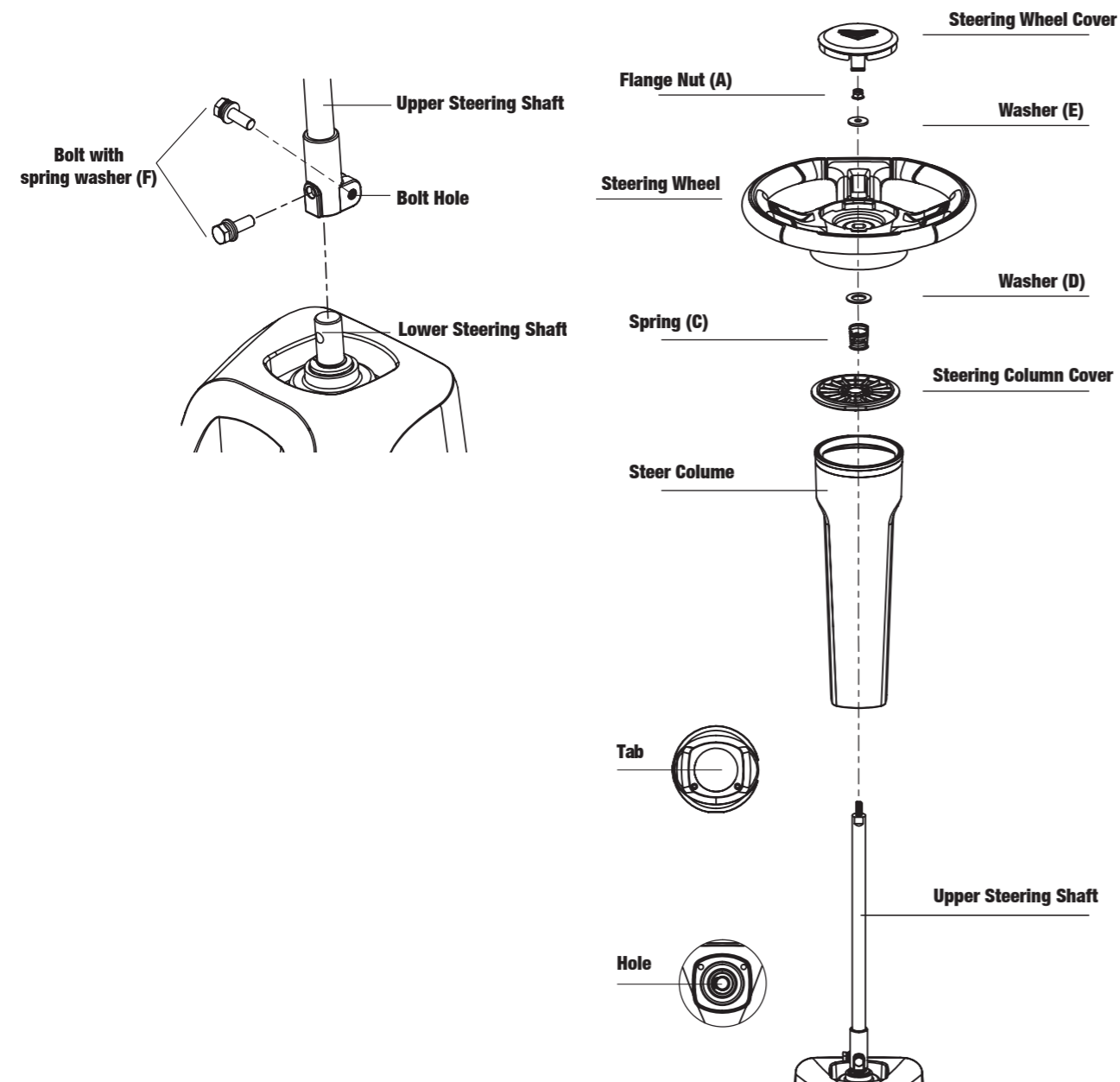
- Remove flange nuts and bolts from seat mounting brackets.
- Place the seat assembly over the mounting brackets and align holes as shown.
- Reinstall flange nuts and bolts and tighten securely (torque 8 Nm).
- Route seat safety interlock cable through hole in wiring cover, then attach to plug on mower.
- Reinstall wiring cover and make sure it is securely seated.



INSTALLATION

ASSEMBLE THE STEERING COLUMN

- Install the upper steering shaft onto the lower steering shaft, rotate as needed to align the holes in both shafts.
- Install the bolt with spring washer (F) and tighten securely. Torque to 8 Nm.
- Insert steering column over shaft. Note the tabs on the bottom of the steering column that fit into the holes in the opening and make sure steering column is securely seated.
- Align the groove on the steering column cover with the top of the steering column then install the steering column cover. The upper steering shaft will protrude through the opening in the cover.
- Install spring (C) and washer (D) onto the upper steering shaft.
- Make sure the mower's wheels are pointed straight ahead, then install the steering wheel onto the upper steering shaft.
- Install washer (E) and flange nut (A), tighten securely, torque nut to 8 Nm.
- Install the steering wheel cover.



INSTALLATION

FINAL PREPARATION

CHECK TYRE PRESSURE

Check the air pressure in all tyres before use. Improper air pressure will affect handling, steering response, traction, tyre life, level cutting, and operator comfort. Be sure tyres are inflated to the pressure shown below.

NOTE: Tyre pressure should only be measured or adjusted when tyres are cold.
Recommended Pressure: 1.4 bar



WARNING!

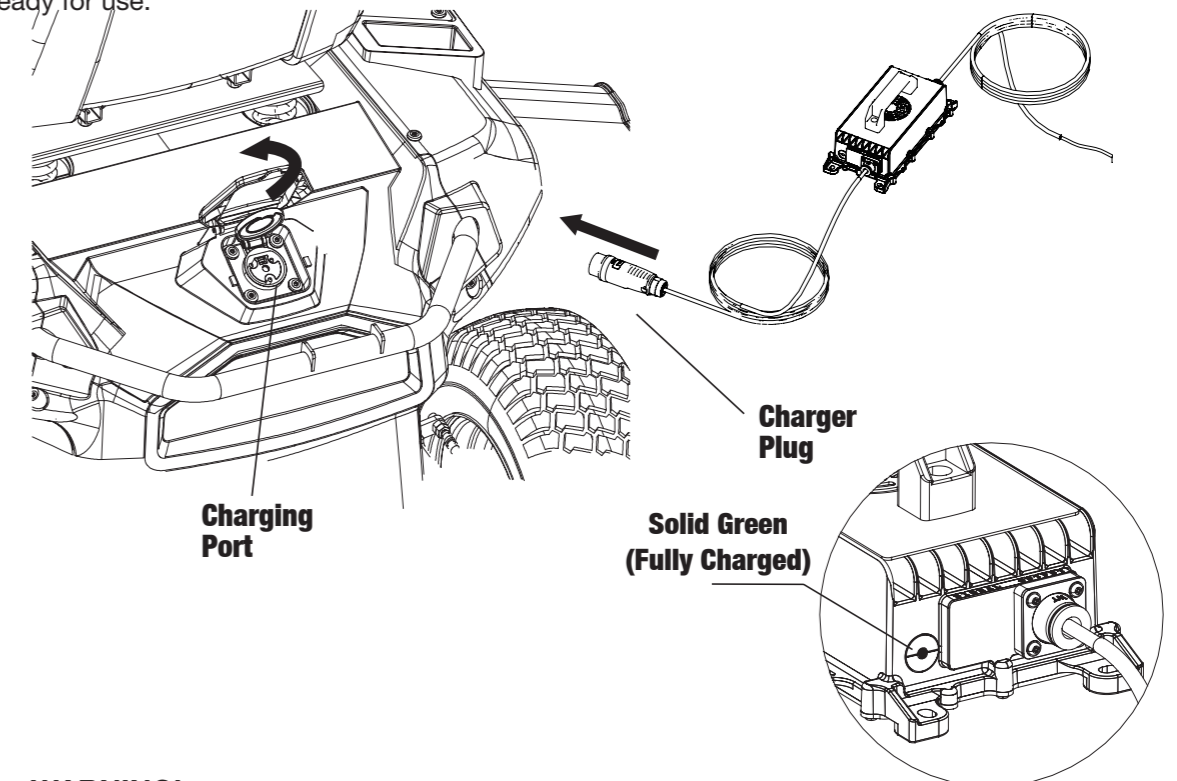
Check the tyre pressure carefully while inflating. Too much air in the tyre could cause the tyre to burst, causing serious personal injury.

CHARGE THE MOWER

Mower batteries must be fully charged before first use. To verify mower batteries are fully charged, check the battery level indicator. It is recommended the batteries are charged for minimum 4 hours before first use regardless of battery level indicator reading 100% charge.

To charge:

- Lift the battery charging port cover, Insert charger plug into charging port on mower, making sure it is properly connected.
- Connect charger to power supply using normal household current of 100~240V, 50~60HZ.
- Do not charge in an area of extreme heat or cold.
- Remove the charger from the mower once it is fully charged (solid green LED, see picture below) and ready for use.



WARNING!

To avoid accidental starting or movement of the mower that could result in serious personal injury, always remove the start key and set the parking pedal when leaving the mower unattended.



NOTICE!

After use charge mower always to 100%, disconnect cable afterwards, check capacity monthly and recharge if less than 30%.

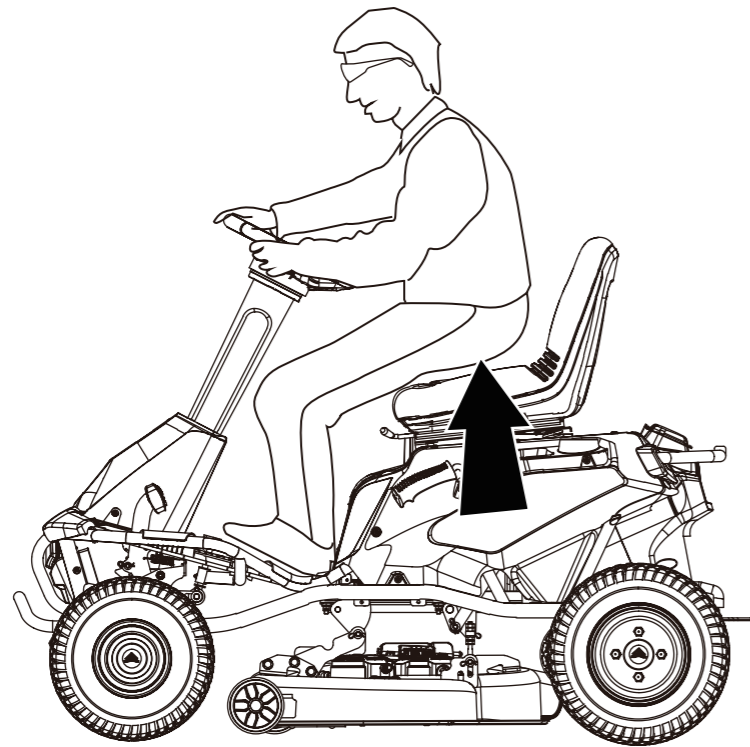
INSTALLATION

TEST THE SAFETY INTERLOCK SYSTEM

This mower features a Safety Interlock System to protect the operator by shutting off the blades if the operator leaves the seat with the blades running. Test the system to be sure it is working correctly.

To test:

- Make sure direction control switch is in neutral (N) position and blade engage knob is down.
- Install start key and turn to **ON** position.
- Raise blade engage knob to activate blades.
- Briefly lift off the seat, but do not get off the mower.
- The blades should shut off within 5 seconds. If they don't, verify you connected the safety interlock cable. If the cable is connected but the system still doesn't function, **please contact Yard Force Customer Service**. Do not operate the mower until the safety interlock system has been repaired.



OPERATION

WARNING! Do not allow familiarity with products to make you careless. Remember that a careless fraction of a second is sufficient to inflict serious injury.

WARNING! Always turn off mower, make sure blades have stopped moving, and remove the start key from the mower when you are assembling parts, making adjustments, cleaning, or when not in use. This will prevent accidental starting that could cause serious personal injury.

WARNING! Always inspect mower for missing or damaged parts and blades for damage or uneven or excessive wear prior to use. Use of the mower with damaged or missing parts can result in serious personal injury.

NOTICE! Before each use, inspect the entire product for damaged, missing, or loose parts such as screws, nuts, bolts, caps, etc. Tighten securely all fasteners and caps and do not operate this product until all missing or damaged parts are replaced.

APPLICATIONS

You may use this product for the purpose listed below:

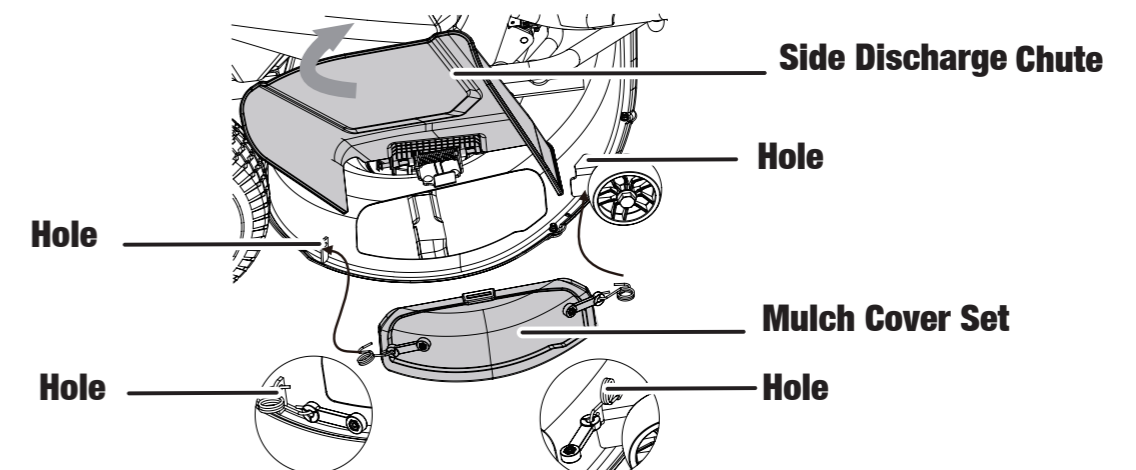
- Mowing your lawn. The machine is to be used only for its prescribed purpose, any other use is deemed to be a case of misuse.
- Please note that our equipment has not been designed for use in commercial, trade or industrial applications. Our warranty will be voided if the machine is used in commercial, trade or industrial businesses or for equivalent purposes.

INSTALLING MULCH COVER

The mower is configured for side discharge when shipped. If mulching is desired:

- Set parking pedal, turn off mower and remove key. Ensure the blades have stopped.
- Lift the side discharge chute.
- Place the mulch cover over the opening for side-discharge.
- Connect the mulch cover latches to the two side mounting points on the mower deck housing.
- Release the side discharge chute.

WARNING! Make sure the side discharge chute fully closes when finished. Failure to do so could cause serious personal injury.



OPERATION

SETTING AND RELEASING THE PARKING BRAKE

To set the parking brake:

- Place the direction control switch in the neutral (N) position.
- Fully depress and hold the brake pedal.
- Fully depress and hold the parking pedal.
- Release the brake pedal.
- Release the parking pedal.

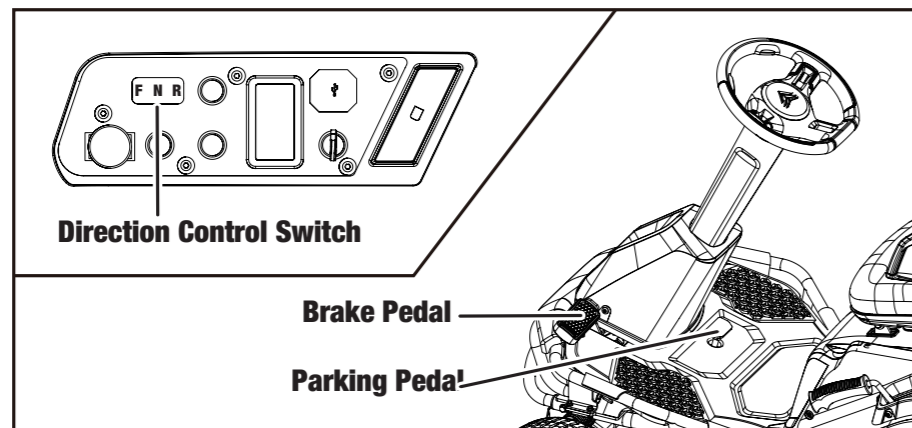
To release the parking brake:

- Depress and release the brake pedal.



WARNING!

Never leave the mower unattended when the motor is running. Verify that the parking pedal is set and the key has been removed. Failure to set the parking pedal could cause the mower to move, and leaving the key could allow unauthorized use that could result in serious personal injury.



ADJUSTING THE SEAT

Adjust the seat position to ensure you are able to make firm contact with the accelerator and brake pedals before operating the mower.

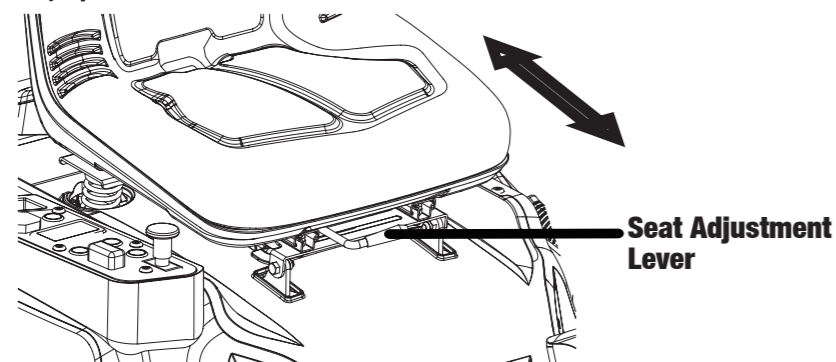
To move the seat:

- Sit down on seat and lift the seat adjustment lever.
- While holding the lever, slide the seat to the desired position.
- Release the lever and make sure the seat is locked in position before operating the mower.



WARNING!

Be sure the seat is locked into place before operating the mower. A seat that is not secure can cause the operator to shift and lose control of the mower and result in possible death or serious personal injury.



OPERATION

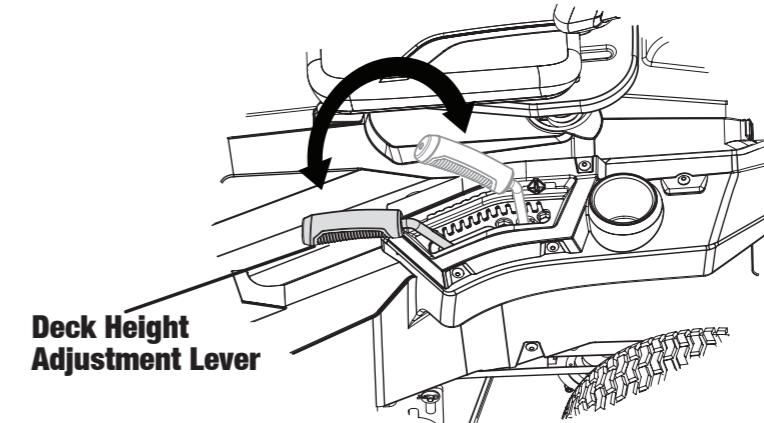
SETTING THE CUTTING DECK HEIGHT

NOTE: To prevent scalping the lawn when encountering high spots, the cutting deck wheels should be positioned off the ground when the mower is at the desired cutting height. When shipped, the cutting deck wheels are set to the 38 mm position. Depending on your desired cutting height, you may need to change the position of the cutting deck wheels. To do so, refer to Adjusting Cutting Deck Wheels in the Maintenance section of this manual on page 34.

To adjust the cutting deck height:

- Stop the mower and disengage blades.
- Turn key to OFF position and set the parking pedal.
- To raise the cutting deck, grasp the deck height adjustment lever, push left to disengage from slot, move toward the back of the mower, then push right into slot to secure.
- To lower the cutting deck, grasp the deck height adjustment lever, push left to disengage from slot, move toward the front of the mower, then push right into slot to secure.

Hold the deck height adjustment lever firmly when setting the deck height and only release when it is secure in the desired slot. Quickly letting go of the lever may create a pinching or pulling hazard to the operator's hand.



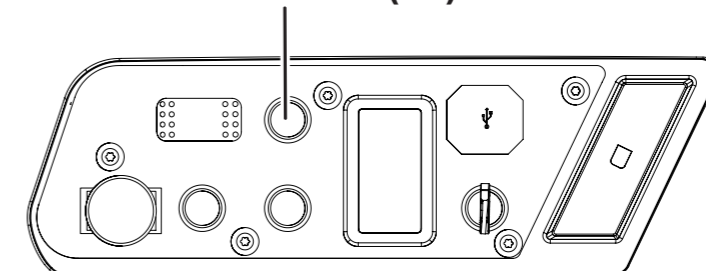
SETTING THE CRUISE CONTROL

Cruise control allows the mower to remain at a constant speed without the operator having to maintain pressure on the accelerator pedal. It should only be used in the forward position on relatively smooth, straight surfaces, and should never be used on slopes or rough terrain.

To set the cruise control:

- While driving the mower forward, press the accelerator pedal until the desired rate of speed is achieved.
- Press the cruise control button. The green light around the button will illuminate to show cruise control is active.
- Release pressure on the accelerator pedal. Mower speed should remain constant.
- To release cruise control: tap on the accelerator pedal, depress the brake pedal, or press the cruise control button again. The light around the cruise control button will go out to indicate cruise control is no longer active.

Cruise Control Button (CCS)



OPERATION

OPERATING THE MOWER

- WARNING!** Clear the area of bystanders before operating the mower. If anyone enters the mowing area, stop immediately and do not return to mowing until the bystanders leave the area.

Before starting the mower:

- Ensure work area is clear of children, bystanders, and pets.
- Clear the work area of objects that may be thrown by the mower blades.
- Check brake operation.
- Check tyre pressure.
- Check for loose fasteners.
- Check to make sure all guards are in place and working properly.
- Clean debris from mower.
- Test safety interlock system.
- Adjust seat to desired position.
- Verify battery charge level.

- NOTE!** When the level of battery charge reaches the red zone on the battery charge indicator, the blades will automatically shut off. Return immediately to recharge. Continuing to mow when the battery charge level is in the red zone can cause the mower to become stranded away from the charging area.

- NOTE!** If the mower becomes stranded away from the charger, it will be necessary to place the direction control switch in neutral (N) and push the mower back to the charging location.

Mowing:

- Raise the mower deck to its highest position.
- Insert start key and turn to ON position.
- To release the parking brake: depress and release the brake pedal.
- Place direction control switch in forward (F) position and drive to desired mowing location.

- WARNING!** Be certain you have correctly set your intended direction of travel with the direction control switch before pressing the accelerator pedal. Failure to do so could result in you driving the mower in an unintended direction, which could cause loss of control or an accident resulting in death, serious personal injury, or property damage.

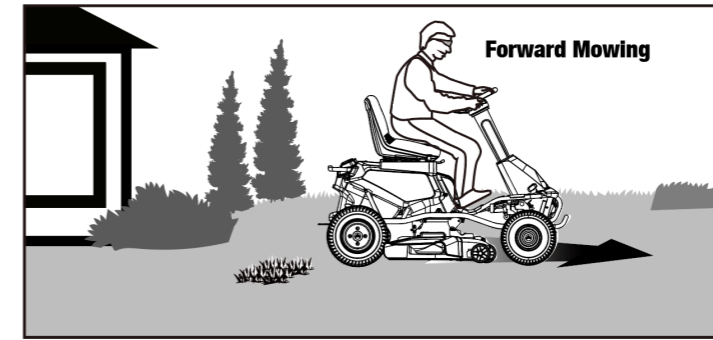
- Stop the mower, turn key to OFF position, and set the parking brake.
- Lower cutting deck to desired position.
- Turn start key to ON position and release parking brake.
- Raise blade engage knob to activate blades and press accelerator pedal to mow as desired.

- WARNING!** Use caution when crossing over gravel paths or driveways. Before crossing, disengage the blades and raise the cutting deck to the highest position to minimize the possibility of ricochet. Drive slowly to avoid loss of traction and control.

NOTICE!

Do not attempt to change the direction of operation while the mower is in motion. Always come to a complete stop before changing the mower direction.

OPERATION



Reverse mode operation:

- NOTICE!** The mower will emit a constant beeping sound when operated in reverse with either the blade off or in reverse mode operation.

- Depress the brake pedal and bring the mower to a complete stop.
- Push blade engage knob down to turn blades off.
- Place direction control switch in reverse (R) position.
- Press the reverse mode button.
- Raise the blade engage knob, slowly press accelerator pedal, and reverse mow as needed.

- WARNING!** Do not mow in reverse unless absolutely necessary. Always look down and behind before and while backing to make sure no children, bystanders, or pets enter the mowing area. Be aware that the reverse mode operation is activated when the reverse mode button is illuminated in red and a constant beeping sound is emitted. Remember that a careless fraction of a second is sufficient to inflict death or serious injury.

- WARNING!** Be especially careful before and when backing with the bagger kit installed, as it may limit visibility. Always look closely behind and down for small children, bystanders, and pets and move the mower slowly to prevent back over accidents that can cause death or serious personal injury.

When mowing is complete:

- Stop mower on a flat, level surface. Do not stop the mower on a slope.
- Push the blade engage knob down to turn blades off.
- Place the direction control switch in the neutral (N).
- Set the parking brake.
- Turn the start key OFF.

- WARNING!** If the mower emits a beeping noise after you leave the seat, verify that the parking brake is set and the key has been removed. Failure to set the parking brake could cause the mower to move, and leaving the key could allow unauthorized use that could result in serious personal injury.



OPERATION

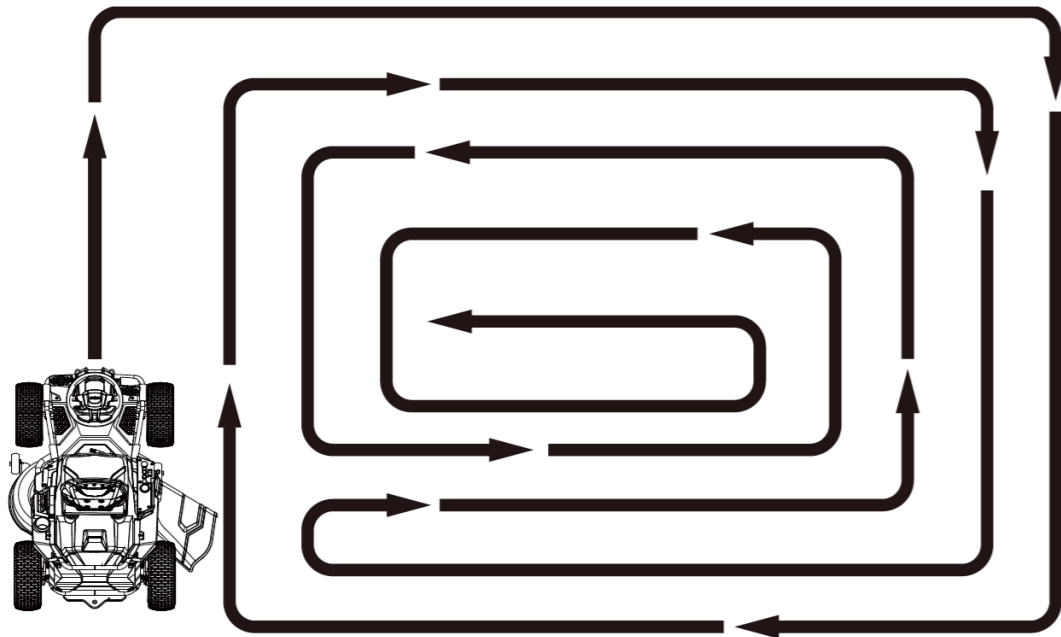
MOWING TIPS

- Keep mower blades sharp.
- Make sure the lawn is clear of stones, sticks, wires, toys, tree nuts, tree branches, and other objects that could damage the lawn mower blades or motor. Do not mow over property stakes or other metal posts. Such objects could damage the blade or be accidentally thrown by the mower in any direction and cause serious personal injury to the operator and others.
- For a healthy lawn, always cut off one-third or less of the total length of the grass.
- When mowing large areas, start by turning to the right so that clippings will discharge away from shrubs, fences, driveways, etc. After one or two rounds, mow in the opposite direction, making left hand turns until finished.
- Mow so that discharged clippings exit in the direction of the lawn area that has already been cut.
- When cutting heavy grass, reduce speed to allow for more effective cutting and a proper discharge of the clippings.
- Do not cut wet grass. It will stick to the underside of the deck and prevent proper bagging or mulching of grass clippings.
- New or thick grass may require a narrower cut or a higher cutting height.
- Keep the mower deck and side discharge chute clean. Remove grass clippings, leaves, dirt, and any other accumulated debris before and after each use. Do not spray with a garden hose to clean.

NOTE: Always stop mower, allow blades to completely stop, and remove the start key before cleaning underneath the mower.

NOTE: Always stop mower, allow blades to completely stop, and remove the start key before cleaning underneath the mower.

NOTE: For the safety, the driving speed would be decreased to 8 km/h when mowing function is activated.



OPERATION

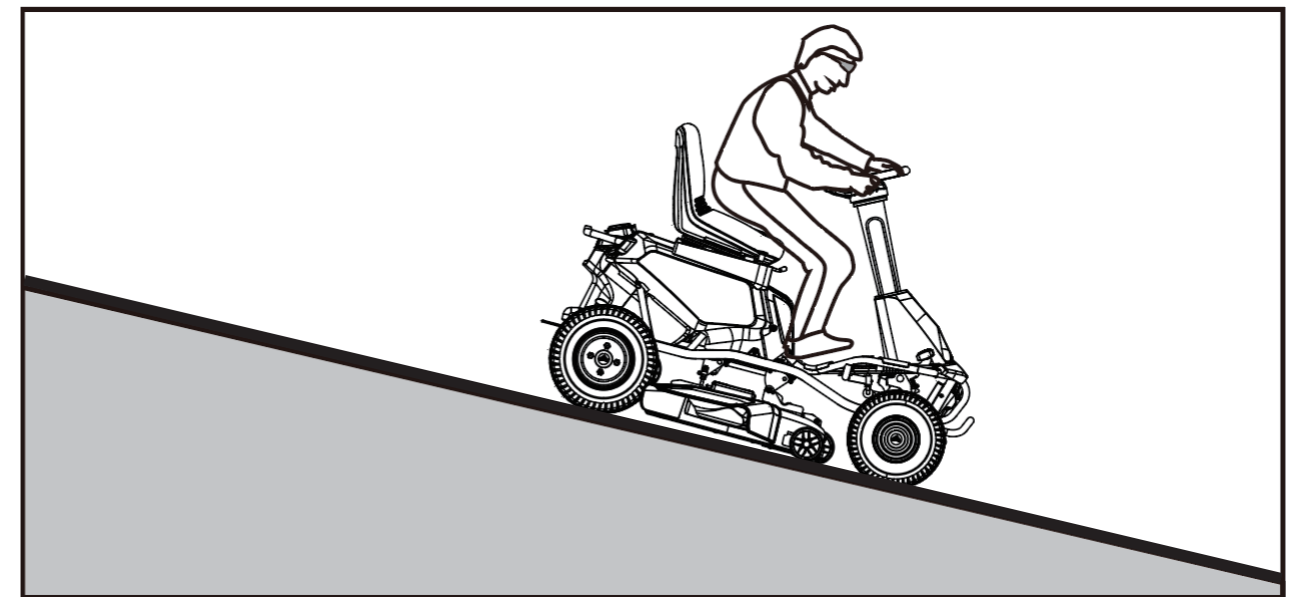
SLOPE OPERATION



WARNING!

Slopes are a major factor related to tip-over and roll-over accidents that can result in severe injury or death. Operation on slopes requires extra caution. If you feel uneasy on a slope, do not mow it. For your safety, do not attempt to mow steep slopes greater than 15 degrees. Make a copy or cut out the slope guide image at the back of this manual and use to determine if your slope is too steep for safe operation.

- Mow up and down, not across the face of slopes.
- Do not mow on wet grass. Wet grass can cause the tyres to lose traction or slip on slopes, even though the brakes are functioning properly.
- Watch for holes, ruts, rocks, hidden objects, or bumps which can cause you to slip or trip. Tall grass can hide obstacles. Remove all objects such as rocks, tree limbs, etc., which could be tripped over or thrown by the blade.
- Do not mow near drop-offs, ditches, or embankments.
- Drive slowly and do not make sudden changes in speed or direction.
- Avoid stopping on slope if at all possible. If stopping is unavoidable, make sure to engage parking pedal. When restarting, use lowest possible speed. If turning is necessary, exercise extreme caution when changing direction and always turn downhill.
- Never attempt to stabilize the mower on a slope by placing your foot on the ground during operation.
- If using the optional bagger kit, use extreme caution and operate the mower slowly when operating on slopes, as the bagging kit can change the stability of the mower.
- Always use the brakes when travelling down the slope. Do not attempt to let the mower coast downhill in neutral.
- If at any point the tyres lose traction while operating on a slope, disengage the blades and proceed slowly and carefully straight down the slope.



OPERATION

TRANSPORTING THE MOWER



WARNING!

Use care when driving the mower off of or onto a trailer or truck and press the brake pedal as needed to control the speed. The mower will freely roll if it is moved on an inclined surface without pressing the brake pedal or setting the parking brake. Failure to follow these instructions can result in loss of control and result in death, serious personal injury, or property damage.



WARNING!

Use care when loading or unloading the mower onto a trailer. Ensure the cutting deck is raised to the highest position so that it is not caught on the ramp. The wheels on the mower can go off the ramp or trailer, causing the mower to pivot or tip over, and result in a crush hazard that can cause death or serious personal injury.

- Park the mower on a level surface.
- Raise the cutting deck to the highest position.
- Position and secure ramp to the trailer according to manufacturer's instructions.

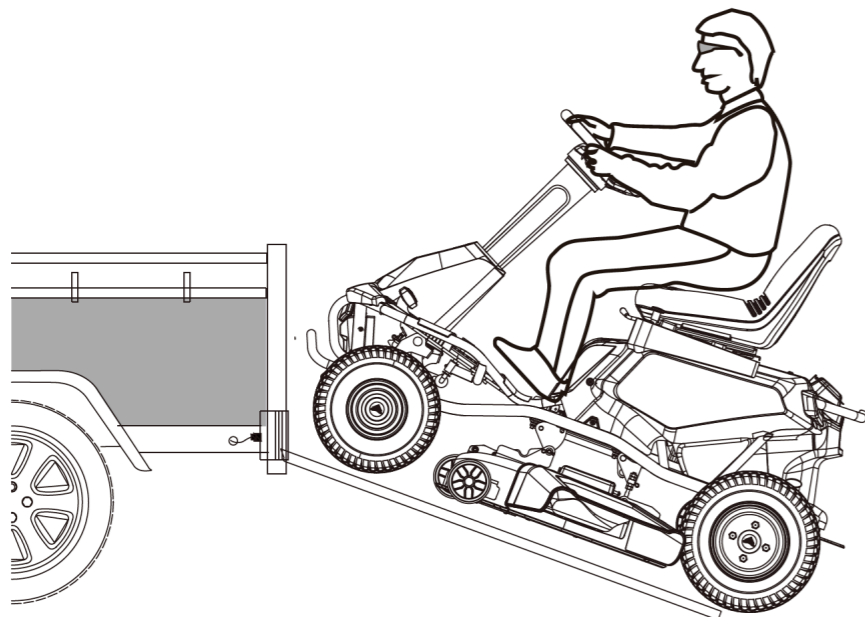
NOTE: We recommend you use one full width loading ramp that is at least 0.3 m wider than the mower to minimize the risk of the mower's wheels going off the side of the ramp.

- Slowly drive the mower onto the ramp and into the trailer.
- Lower mower deck completely.
- Set the parking brake.
- Turn off mower and remove key.
- Secure the mower as needed using straps or cables to prevent movement during transport.



WARNING!

To avoid accidental starting or movement that could result in serious personal injury, always remove the start key and set the parking brake when transporting the mower.



MAINTENANCE AND STORGE

MAINTENANCE AND STORGE



WARNING!

Before performing any maintenance, stop the mower, wait for the blades to come to a complete stop, and remove the start key to avoid accidental starting and possible serious personal injury.



WARNING!

When servicing, use only authorized replacement parts. Use of any other parts can create a hazard or cause product damage.



WARNING!

Strictly adhere to all torque wrench tightening specifications. Failure to do so could cause serious personal injury.



NOTE!

Periodically inspect the entire product for damaged, missing, or loose parts such as screws, nuts, bolts, caps, etc. Tighten securely all fasteners and caps and do not operate this product until all missing or damaged parts are replaced.

GENERAL MAINTENANCE

Avoid using solvents when cleaning plastic parts. Most plastics are susceptible to damage from various types of commercial solvents and may be damaged by their use. Use clean cloths to remove dirt, dust, oil, grease, etc.

Remove any build-up of grass and leaves on or around the motor cover. Wipe the mower clean with a dry cloth occasionally. Do not use water.



WARNING!

Do not at any time let brake fluids, gasoline, petroleum-based products, penetrating oils, etc., come in contact with plastic parts. Chemicals can damage, weaken, or destroy plastic which can result in serious personal injury.

CLEANING THE MACHINE

Remove any build-up of grass and leaves on or around the mower housing. Wear eye protection and use compressed air after each use to clean the mower housing or the top side of the mower deck. The underside of mower deck should also be cleaned using wash port after each use, as grass clippings, leaves, dirt, and other debris will accumulate, especially when grass is wet or has high moisture content. This accumulation is undesirable, as it will harden, restricting blade and air movement, probably resulting in a poorer quality of cut and even promoting rust and corrosion.

USING WASH PORT TO CLEAN MOWER DECK

NOTICE!

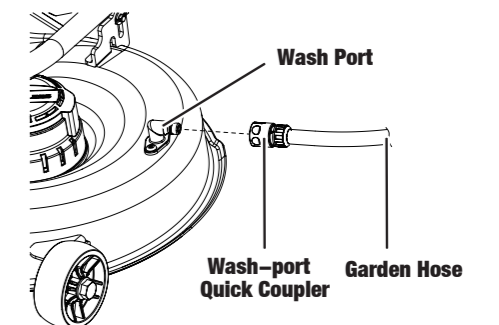
Follow this procedure after **EACH USE** to prevent buildup and remove corrosive lawn chemicals.

NOTICE!

You can wash the machine with a mild detergent and water.

Do not pressure wash the machine.

Avoid excessive use of water, especially near the control panel, under the seat, around the motors and all electric components and bearings.



MAINTENANCE AND STOARGE

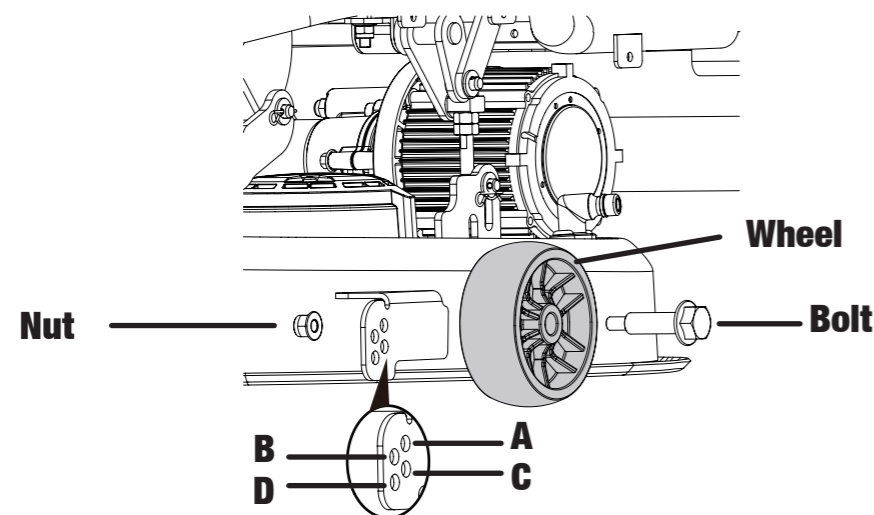
- On a flat, level surface set the parking pedal to the parking position. Refer to section “**SETTING THE PARKING PEDAL**” in this manual.
- Stop the motor and allow the blades to come to a complete stop. Adjust the mower deck height to the lowest position, refer to section “**SETTING THE CUTTING DECK HEIGHT**” in this manual.
- Attach the supplied wash-port quick-coupler to garden hose.
- Attach garden hose with quick-coupler to wash port on the mower deck. The wash port is on the left side of the mower deck.
- Turn on the water.
- Turn on the power switch and pull the blade engage knob to start the mower cutting blades.
- Flush water under the deck for approximately 1 minute.
- Disengage the mower blades by pushing the blade engage knob downward.
- Turn off the water and remove garden hose and quick-coupler from wash port.
- Remove quick-coupler from garden hose and store for future use.
- Turn off the mower completely.

ADJUSTING CUTTING DECK WHEELS

The cutting deck wheels should be positioned off the ground when the mower is at the desired cutting height. This will minimize the chance of scalping the lawn in most situations. When shipped, the wheels are positioned in Position A (38 mm).

To adjust the cutting deck wheels:

- Park the mower on a level surface and set the parking brake.
- Stop the motor and remove the start key. Allow blades to come to a complete stop.
- Raise the cutting deck to the desired height setting.
- Remove nut and bolt holding cutting deck wheel in place.
- Move wheel to desired position. Available hole positions are 38 mm (A), 45 mm (B), 51 mm (C) and 57 mm (D).
- Replace bolt and nut; tighten securely. Torque nut to 5-8 Nm.
- Repeat the same process on the opposite deck wheel, making sure both wheels are installed in the same position.

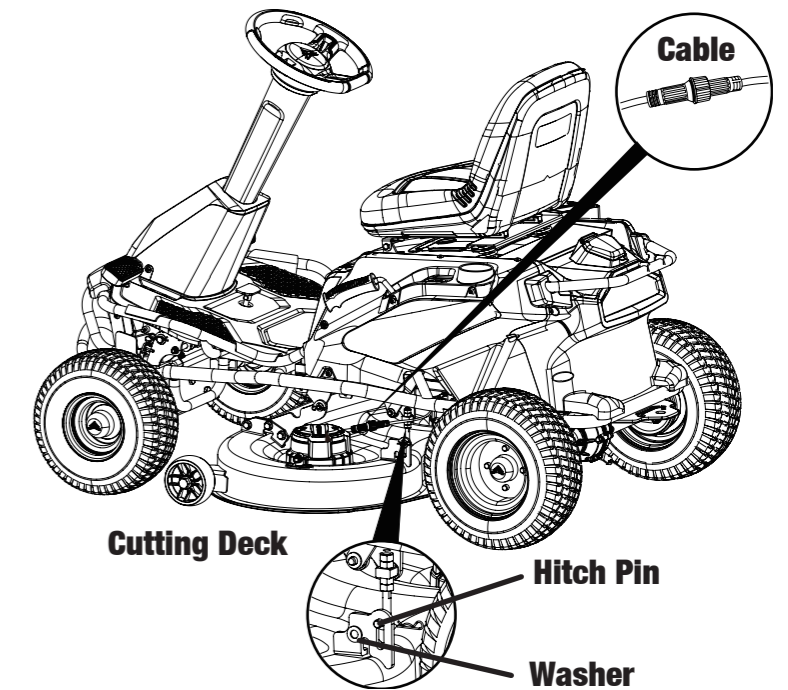


MAINTENANCE AND STOARGE

REMOVING THE CUTTING DECK

If desired, the cutting deck can be removed from the mower to make accessing the blades easier when changing.

- Make sure direction control switch is in neutral (N) position and blade engage knob is down.
- Stop the motor, remove the start key, and set the parking brake.
- Disconnect the cables that connect the cutting deck to the mower.
- Lower the cutting deck to its lowest position.
- Remove the 4 hitch pins and washers that secure the cutting deck in place.
- Slide the deck out from under the mower.
- Reverse the process to reattach the cutting deck to the mower.



REPLACING CUTTING BLADES



CAUTION!

Only use replacement blades and blade bolts authorized by the manufacturer of your riding mower. Use of blades and blade bolts not authorized is hazardous and may damage your riding mower.

- Make sure direction control switch is in neutral (N) position and blade engage knob is down.
- Stop the motor, remove the start key, and set the parking pedal.
- Raise the height of the cutting deck to its highest position to allow access to blades.

NOTE: If necessary, raise the mower by placing on a lift or using a jack and jack stands, or remove the cutting deck as described in the previous section to gain access to the blades.



WARNING!


If raising the mower to access the blades, make sure the mower is properly secured and the parking pedal is set before proceeding. Failure to properly secure the mower could cause it to fall, resulting in death or possible serious personal injury.

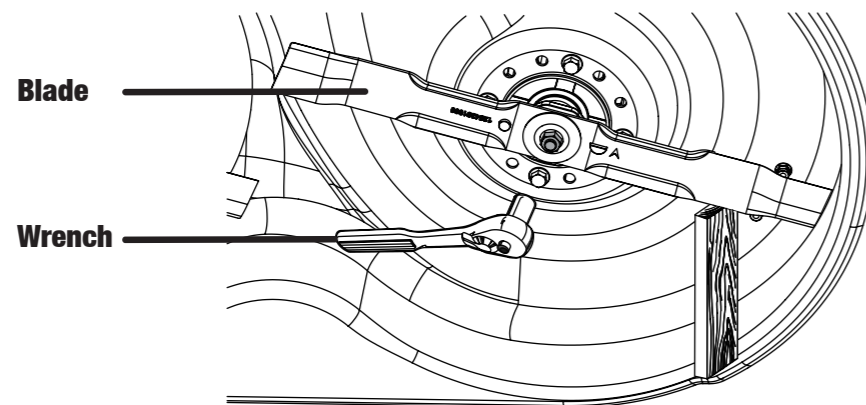
MAINTENANCE AND STORAGE

- Wedge a block of wood between the blade and mower deck to prevent the blade from turning.
- Loosen the blade nut by turning it counterclockwise (as viewed from bottom of mower) using a 14 mm wrench or socket (not provided).
- Remove the blade nut, spacer, blade insulator, and blade.
- Place the new blade on the shaft against the corresponding blade posts. Ensure blade is properly seated with shaft going through center blade hole and the two blade posts inserted into their respective holes on the blade. Make sure it is installed with the curved ends pointing up toward the mower deck and not down toward the ground. When seated properly, the blade should be flat against the blade posts.
- Replace the blade insulator and spacer, making sure the flat sides on each piece align and the straight sides of the opening on the spacer are aligned with the straight sides of the blade shaft.

NOTE: Make certain all parts are replaced in the exact order in which they were removed.

- Thread the blade nut on the shaft and finger tighten.
- Torque the blade nut down clockwise using a torque wrench (not provided) to ensure the bolt is properly tightened. The recommended torque for the blade nut is 68-74 Nm.
- Repeat with second blade, if needed.

 **WARNING!** Ensure blade is properly seated and the blade nut is tightened to the torque specifications above. Failure to properly attach the blade could cause it to come loose and result in possible serious personal injury.



Tyre MAINTENANCE


This mower is equipped with tubeless tyres of the size and type listed below:


Tyre Air Pressure

Check the air pressure in all tyres before use. Incorrect air pressure will affect handling, steering response, traction, tyre life, level cutting, and operator comfort. Be sure tyres are inflated to the pressure shown below.

NOTE: Tyre pressure should only be measured or adjusted when tyres are cold.

Recommended Pressure: 1.4 bar

 **WARNING!** Check the tyre pressure carefully while inflating. Too much air in the tyre could cause the tyre to burst, causing serious personal injury.

 **WARNING!** Maintaining correct air pressure in the tyres is very important. Too little pressure could allow the tyre to rotate off the wheel rim. Too much pressure could cause the tyre to burst. Failure to maintain correct air pressure in the tyres could cause problems with mower operation and stability, causing serious personal injury.

MAINTENANCE AND STORAGE

TYRE REPAIR

If a leak or flat tyre occurs due to a puncture, the tyre may be repaired using a plug-type patch. If the damage is from a cut, or if the puncture cannot be repaired using a plug, the tyre should be replaced.

REPLACING TYRES

When tyres are worn, the traction of the mower will be decreased, which increases the chance of having an accident. Tyres should be replaced when the depth on the tread is 4 mm or less, or any time there is damage to the tyre. Always use identical replacement tyres. Using improper tyres on the mower could cause loss of control, which could cause serious personal injury.

Have tyres replaced by an authorized service center or a qualified tyre repair station.

ADJUSTING THE BRAKES

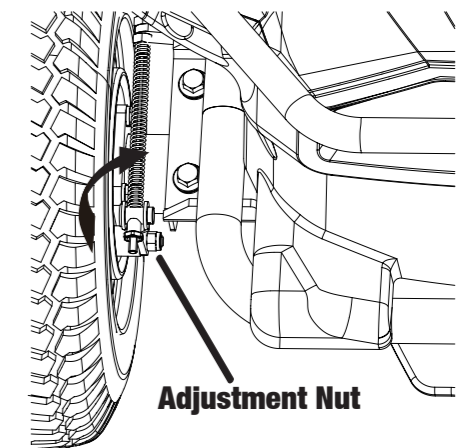
Being able to stop the mower properly is critical to mowing safety. If you've noticed your mower traveling farther before stopping when you depress the brake pedal, the brakes may need adjusting.

To test:

- Park the mower on a level surface and set the parking brake.
- Place the direction control switch in neutral (N).
- Stand behind the mower and try to push it forward. If the rear tyres turn, the brakes need to be tightened.

To tighten:

- Locate the brake adjustment nuts on the interior side of each of the rear wheels.
- Turn each adjustment nut 1/4 turn clockwise, then try again to push the mower.
- Continue rotating each nut 1/4 turn and testing until the mower can no longer be moved by pushing.
- After final adjustment, test the brakes by driving the mower at normal speed on flat ground to be sure the mower stops quickly when the brake pedal is depressed.



LEVELING THE CUTTING DECK

If your lawn appears unevenly cut after using the mower, the cutting deck may need adjusting. Before deciding that leveling the cutting deck is necessary, make sure tyres are properly inflated to the recommended pressure when mowing. Over-inflated or under-inflated tyres can affect the appearance of the cut, and proper inflation of the tyres may be all that is needed to resolve uneven cutting issues.

NOTE: Always check side-to-side alignment and adjust as needed before measuring and adjusting front to back.

MAINTENANCE AND STOARGE

Before beginning:

- Make sure direction control switch is in neutral (N) position and blade engage knob is down.
- Stop the motor, remove the start key, and set the parking pedal.
- Raise the height of the cutting deck to its highest position.

To make side-to-side adjustment:

- Position the blades so that the ends point toward the sides of the mower.
- On the outside edge of each blade, measure the distance from the bottom edge of the side of the blade to the ground. If the distance between the two sides is greater than 3 mm, a side-to-side adjustment is necessary.
- On the side you wish to adjust, loosen the jam nuts as shown.
- Turn the adjustment nuts clockwise to raise or counterclockwise to lower the side of the cutting deck. Each full turn of the adjustment nut will change the deck height approximately 5mm.

NOTE: If raising the side, you will need to turn the top adjustment nut first. If lowering, turn the bottom nut first.

- Measure again. Continue to adjust and measure until the difference between the distance on each side is 3 mm or less.
- Proceed to front-to-back adjustment or retighten jam nuts to secure.

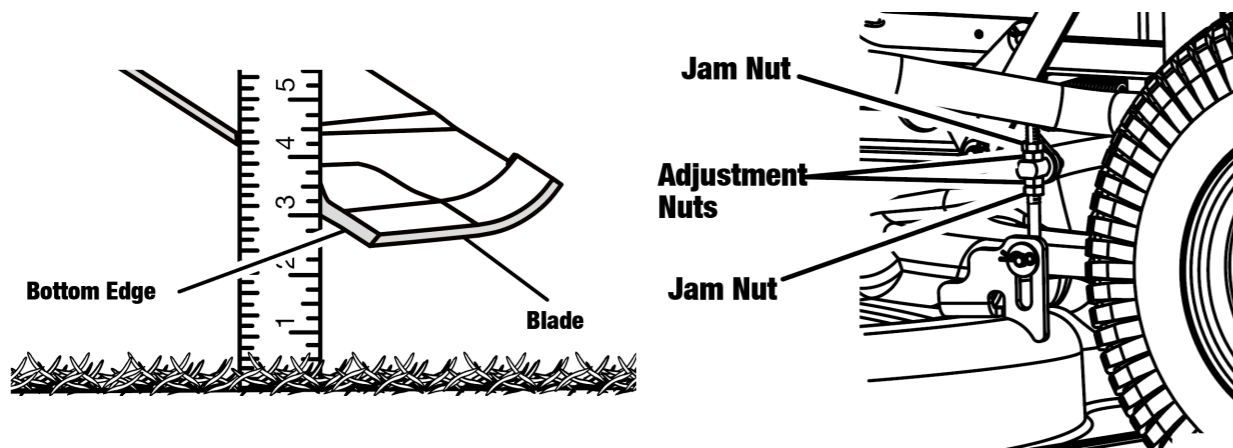
To make front-to-back adjustment:

NOTE: Always level the deck side to side before making a front to back adjustment.

- Position the blade nearest the side discharge chute so that the ends now point toward the front and back of the mower.
- Measure the distance from the tip of the blade to the ground. For best results, the front tip of the blade should be from 3 to 10 mm lower than the rear tip.
- If front-to-back adjustment is needed, turn the adjustment nuts clockwise to raise or counterclockwise to lower the back of the cutting deck. Each full turn of the adjustment nut will change the deck height approximately 3 mm.

NOTE: Make sure to turn the adjustment nuts on both sides equally to prevent throwing the side-to-side measurement off again.

- Measure again to verify the front tip is now 3 to 10 mm. lower than the rear tip. If not, continue to adjust and measure until they are.
- Without moving the adjustment nuts, retighten the jam nuts to secure the adjustment nuts in place.



MAINTENANCE AND STOARGE

STORING THE MOWER

The following steps should be taken before storing the mower for the season.

- Remove any build-up of grass and leaves on or around the motor cover. Wipe the mower clean with a dry cloth. Do not spray with a garden hose to clean.
- Fully charge the mower before long time storage.
- **NOTE:** If possible check the battery capacity each month, charge the mower if the battery volume is lower than 30%.
- Store mower in a clean, dry place that is inaccessible to children. Do not store near any appliance that operates with flame such as a gas water heater, clothes dryer, or furnace.

NOTE: Do not leave the key in the mower during storage.

- If the mower must be stored outside, make sure it is covered completely to protect it from the elements.
- Keep away from corrosive agents such as garden chemicals and deicing salts.

PREPARING FOR USE AFTER STORAGE

The following steps should be taken before using the mower after it has been stored:

- Review maintenance chart.
- Fully charge the batteries.
- Check tyre pressure and inflate as needed.
- Briefly drive the mower and check all systems and components to ensure they are functioning correctly.



WARNING!

Upon removal, cover the battery's terminals with heavy-duty adhesive tape. Do not attempt to destroy or disassemble battery or remove any of its components. Li-Ion batteries must be recycled or disposed of properly. Also, never touch both terminals with metal objects and/or body parts as short circuit may result. Keep away from children. Failure to comply with these warnings could result in fire and/or serious injury.

MAINTENANCE SCHEDULE

	Inspect Before Each Use	Every 25 Hours	Every 50 Hours	Every 100 Hours	Before Storage
Check Brake Operation	X				
Check Tyre Pressure	X				
Check Safety Interlock System	X				
Check for Loose Fasteners	X				X
Clean Debris From Mower	X		X		X
Check/Replace Mower Blades		Check	Replace		
Lubricate mower pivot points, front axle pivot and axle spindles, front axle wheel bushings, and deck pivot points.		X			
Clean Battery Terminals			X		

NOTE: Maintenance should be performed more frequently when mower is used in dusty areas.

When mower has exceeded the maximum figures specified in the table, maintenance should still be cycled according to the intervals of time or hours stated herein.

If you are unsure how to perform any of the maintenance items listed above, take the mower to an authorized service center for assistance.

TROUBLESHOOTING

Fault/Malfunction	Cause(s)	Solution(s)
Mower not starting.	<ol style="list-style-type: none"> Battery charge is low. Charger is connected to mower. Start key not installed or in the OFF position. Poor battery cable connections. Battery overheat 	<ol style="list-style-type: none"> Charge the battery. Disconnect charger from mower. Install start key and turn to ON position. Check/clean all battery connections. Let the mower cool down for a while
Mower won't move.	<ol style="list-style-type: none"> Start key not installed or is in OFF position. Parking pedal is set. Direction control switch is in neutral (N). Brake is depressed and/or accelerator pedal is not pressed. Charger is connected to mower. 	<ol style="list-style-type: none"> Install start key and turn to ON position. Release parking pedal. Place direction control switch in desired direction (forward or reverse). Release the brake pedal and press the accelerator. Disconnect charger from mower.
Mower cutting grass unevenly.	<ol style="list-style-type: none"> Wet grass clippings sticking to the underside of the deck. Grass is too high. Worn, bent, loose, or dull blade. Mowing speed is too fast. Unlevel deck Different tyre pressure 	<ol style="list-style-type: none"> Clean the grass dries before mowing. Mow once at a high cutting height, then mow again at the desired height. Replace blade. Mow at a slower speed. Adjust the deck level Check the tyres pressure
Mower vibrating at higher speed.	<ol style="list-style-type: none"> Blade is unbalanced, loose, or excessively or unevenly worn. Bent motor shaft. 	<ol style="list-style-type: none"> Replace the blade. Stop the motor and remove start key. Inspect for damage. Have repaired by an authorized service center before restarting.
Poor grass discharge.	<ol style="list-style-type: none"> Side discharge chute or opening is blocked. Grass is wet. Mowing speed is too fast. Grass is too high. 	<ol style="list-style-type: none"> Clean side discharge chute and/or opening. Allow grass to dry before mowing. Mow at a slower speed. Mow once at a high cutting height, then mow again at the desired height.
Motor stops while cutting.	<ol style="list-style-type: none"> Cutting height set too low. Battery charge is low. 	<ol style="list-style-type: none"> Raise the cutting height. Charge the battery.
Blades do not rotate.	<ol style="list-style-type: none"> Battery charge is low. Blade engage knob is down. Operator is not fully seated. Build-up of debris under mower. 	<ol style="list-style-type: none"> Charge the battery. Raise blade engage knob. Sit down fully on the seat. Clean underside of mower housing.
Blades do not rotate while moving in reverse.	<ol style="list-style-type: none"> Reverse mode option is off. Blade engage knob is down. 	<ol style="list-style-type: none"> Press reverse mode button to activate. Raise blade engage knob.
Mower won't reach full speed.	<ol style="list-style-type: none"> Battery charge is low. 	<ol style="list-style-type: none"> Charge the battery.

TROUBLESHOOTING

Blades continue to turn after operator leaves seat without parking pedal set.	<ol style="list-style-type: none"> Safety interlock system is not functioning correctly. 	<ol style="list-style-type: none"> Ensure safety interlock system seat plug is fully connected. If blades still won't stop, take mower to authorized service center for repair.
Headlights not working.	<ol style="list-style-type: none"> Headlights are off. Headlights are damaged. 	<ol style="list-style-type: none"> Press headlight button to turn headlights on. Replace headlights.
Battery will not charge.	<ol style="list-style-type: none"> Poor cable connections. 	<ol style="list-style-type: none"> Check/clean all battery connections.

CHARGER ERROR CODES

CODE	MEANING	SOLUTION
Yellow LED ON	Standby	/
Red LED flashing (1HZ)	Charging	/
Green LED ON	Fully charge	/
Red and Green LED flashing alternately (2HZ)	Abnormal temperature of the battery	Cool down the battery
Red and Green LED flashing alternately (1HZ)	battery protection	contact the after-service centre
Yellow LED flashing	Charge failure	try to re-plug the charger

DECLARATION OF CONFORMITY

To the provisions of Council Directives

We
MEROTEC GmbH
Otto-Brenner-Str. 8, 47877 Willich, Germany

Declare that the product:
Description: 56V Ride-on Lawnmower
Model No. ProRider E559
Function: Cutting grass


Complies with the essential health and safety requirements of the following directives:

Machinery Directive 2006/42/EC
Electromagnetic Compatibility Directive 2014/30/EU
EC Directive 2011/65/EU and its amendment Directive (EU) 2015/863 (RoHS)
Noise Emission in the Environment by Equipment for Use Outdoors Directive
2000/14/EC amended by 2005/88/EC
We additionally confirm the following in accordance with the 2000/14/EC amended by 2005/88/EC emissions guideline,
Conformity Assessment Procedure as Per Annex III,
TÜV Rheinland LGA Products GmbH - Tillystraße 2 -90431 Nürnberg
Notified under No. 0197
Measured Sound Power Level: XXXXXX
Declared Guaranteed Sound Power Level: 100 dB (A)

Standards and technical specification referred to:

EN 62841-1, EN ISO 5395-1, EN ISO 5395-3
IEC/EN 62133
EN 62841-1 Annex K
EN 60335-1, EN 60335-2-29
EN IEC 55014-1:2021+EN IEC 55014-2:2021 or EN ISO 14982:2009
2000/14/EC

Authorized Signatory
Date: 04.12.2022

Signature: 
Place: Willich
Name: Ronald Menken
General Manager

MEROTEC GmbH
Otto-Brenner-Str. 8
D-47877 Willich



DECLARATION OF CONFORMITY

To the provisions of Council Directives

We
SUMEC UK
Unit A&B Escrick Business Park Escrick, York YO19 6 FD/ United Kingdom

Declare that the product:
Description: 56V Ride-on Lawnmower
Model No. ProRider E559
Function: Cutting grass

Complies with the essential health and safety requirements of the following directives:

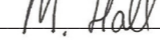
Supply of Machinery (Safety) Regulations 2008
Electromagnetic Compatibility Regulations 2016
The Restriction of the Use of Certain Hazardous Substances in Electrical and Electronic Equipment Regulations 2012
Noise Emission in the Environment by Equipment for use Outdoors Regulations 2001
Relative Notified Body (GB/8500/0184/21 Issue 1):
AnP Certification Limited 2, Parkfield Street Manchester M14 4PN

Measured Sound Power Level: XXXXXX
Declared Guaranteed Sound Power Level: 100 dB (A)

Standards and technical specification referred to:

EN 62841-1, EN ISO 5395-1, EN ISO 5395-3
IEC/EN 62133
EN 62841-1 Annex K
EN 60335-1, EN 60335-2-29
EN IEC 55014-1:2021+EN IEC 55014-2:2021 or EN ISO 14982:2009
2000/14/EC

Authorized Signatory
Date: 04.12.2022

Signature: 
Place: York
Name: Mariana Hall
General Manager

SUMEC UK
Unit A&B Escrick Business Park Escrick
York YO19 6 FD, United Kingdom



