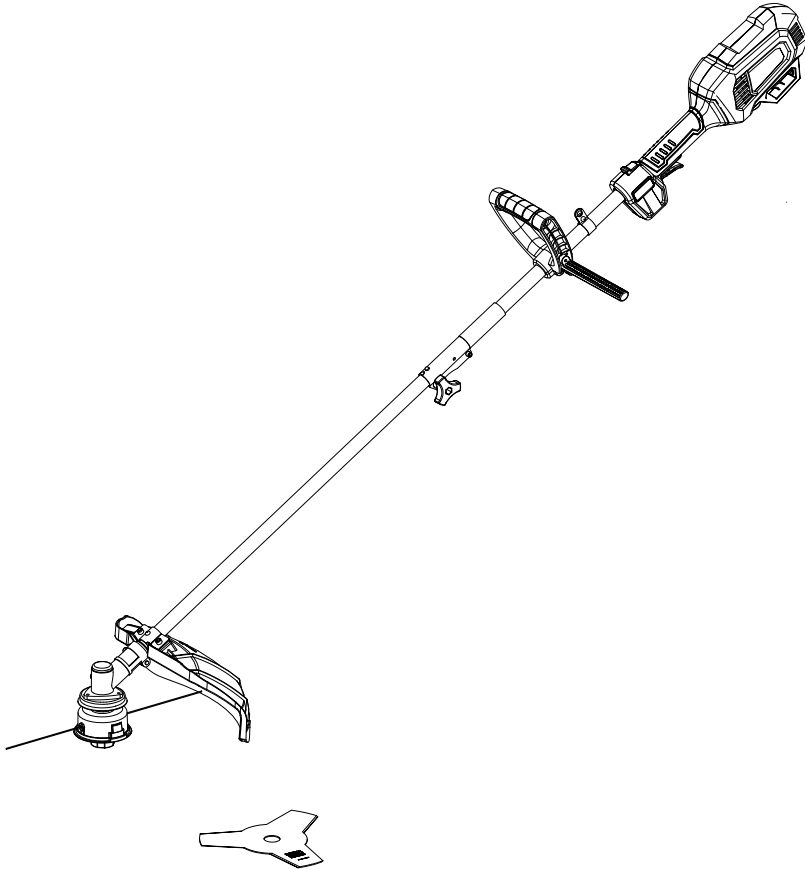




Original User's Instructions

1000W 2 in 1 Brush Cutter & Line Trimmer

SKU: 66926



READ BEFORE USE

PLEASE KEEP THESE INSTRUCTIONS FOR FURTHER REFERENCE

PRODUCT SUPPORT

In the unlikely event of you needing technical support, replacement part or you believe a repair is needed, please contact us in the first instance by following the steps below.



SCAN ME

STEP 1

Find your proof of purchase and scan this QR code **OR** call our helpline below

STEP 2

Get in touch with our team and receive expert technical support



STEP 3

Our team will arrange collection to repair your product under warranty **OR** an alternative resolution



STEP 4

Your product will be assessed and if required, repaired back to full working order



STEP 5

Your repaired product will be returned to you via courier within 10 days



GET IN TOUCH

 01904 947568

 support@coreservice.co.uk

We recommend you keep the original packaging, if repair is needed.

 Technical support: 9am-5pm, Mon-Fri

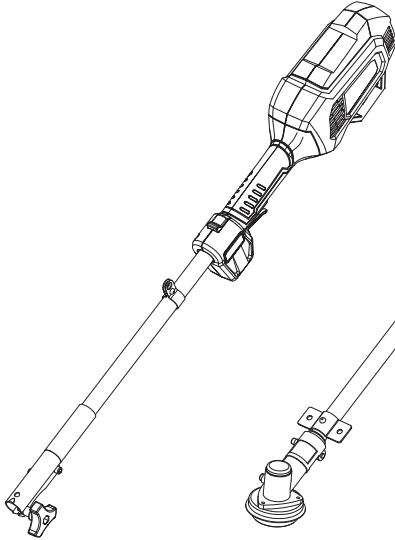
 Helpline: 24/7


HAWKSMOOR

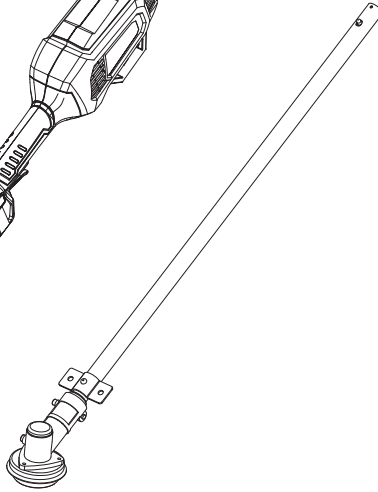
CONTENTS

• WHAT'S IN THE BOX -----	3
• SPECIFICATIONS -----	4
• EXPLANATIONS AND SYMBOLS, CAUTIONS AND WARNINGS -----	5
• IMPORTANT SAFETY WARNINGS -----	7
• PRODUCT DESCRIPTION AND IDENTIFICATIONS -----	18
• ASSEMBLY AND OPERATING INSTRUCTIONS -----	19
• CARE AND CLEANING -----	29
• TROUBLE SHOOTING -----	30
• DECLARATION OF CONFORMITY / PERFORMANCE -----	31
• ENVIRONMENTAL INFORMATION -----	32
• WARRANTY -----	33
• CUSTOMER SUPPORT -----	33

WHAT'S IN THE BOX



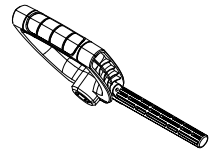
Main unit



Brush cutter/grass trimmer shaft



Safety shoulder belt



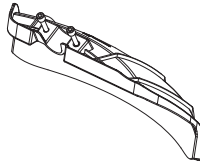
Auxiliary handle



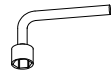
Line spool



Brush cutter blade



Safety guard



Spanner



Hex key

If you do not have all these items, please contact:

www.coreservice.co.uk

Hotline: +44 01904 947568

Email support@coreservice.co.uk

SPECIFICATION

Technical Data	
Model	H9205BL
Rated power input	1000W
No load speed	6000 rpm (grass trimmer)/6800 rpm (brush cutter)
Cutting diameter	350mm(grass trimmer)/230mm(brush cutter)
Nylon line size	Dia.: 2mm, Length: 2x3m
Line type	Twisted
Blade type	3 teeth blade (3T blade)
Net weight (Approx.)	6 kg
Protection class	Class II / IPX0
Measured sound pressure level	$L_{pA,eq}$: 81.9dB(A) Uncertain K_{pA} =3.0dB(A)
Measured sound power level	$L_{wA,eq}$: 95.8dB(A) $K=1$ dB(A)
Guaranteed sound power level	$L_{wA,d}$: 96dB(A)
Vibration at the main handle (grass trimmer)	6,506m/s ² , $K=1.5$ m/s ²
Vibration at the auxiliary handle (grass trimmer)	5,904m/s ² , $K=1.5$ m/s ²
Cord	H05VV-F 2x0.75mm ² , 10m, BS plug

Note: The above specifications are the MAXIMUM capacities of the tool. The maximum branch diameter depends on the hardness of the wood.

EXPLANATIONS AND SYMBOLS, CAUTIONS AND WARNINGS

Safety Notes

Warning! Read all safety warnings and all instructions. Make yourself familiar with the controls and the proper use of the product. Please keep the instructions safe for later use!

Explanation of symbols on the product



Warning!



Read the instructions for use prior to operating the machine.



Keep bystanders away. The distance between the machine and bystanders shall be at least 15m (50ft).



Wear eye and ear protection.



Wear head protection.



Wear protective gloves.



Wear safety shoes.



Beware of throw object



Do not expose the machine to water or operate it in the rain.



This unit is not intended for use with a toothed saw type blade.



Guaranteed sound power level data (96dB).



Keep by-standers well away. They could be injured by flung out objects.



Do not touch the cutting device until it stops completely.



Beware of blade thrust. Blade is continually in motion.



Wait until all machine components have completely stopped before touching them.



WEEE symbol. Waste electrical products should not be disposed of with household waste. Please recycle where facilities exist. Check with your Local Authority or local store for recycling advice.



The product complies with the applicable European directives and an evaluation method of conformity for these directives was done.



UK conformity assessed

IMPORTANT SAFETY WARNINGS

GENERAL POWER TOOL SAFETY WARNINGS



Warning: Please read the following instructions carefully, failure to do so could lead to serious personal injury. When using the electric brush cutter and line trimmer, basic safety precautions, including the following, should always be followed to reduce the risk of fire, electric shock and personal injury. Read all these instructions before operating this product and save these instructions.

The term “power tool” in the warnings refers to your mains-operated (corded) power tool or battery-operated (cordless) power tool.

Become familiar with the owner’s manual before attempting to operate this machine.

- This machine is not intended for use by persons (including children) with reduced physical, sensory or mental capabilities, or lack of experience and knowledge, unless they have been given supervision or instruction concerning use of the appliance by a person responsible for their safety.
- Children should be supervised to ensure that they do not play with the appliance.
- The machine is only to be used with the power supply unit provided with the machine.

Important! Read carefully before use, keep for further reference.

Work Area Safety

- Keep work area clean and well lit. Cluttered or dark areas invite accidents.
- Do not operate power tools in explosive atmospheres, such as in the presence of flammable liquids, gases or dust. Power tools create sparks which may ignite the dust or fumes.
- Keep children and bystanders away while operating a power tool. Distractions can cause you to lose control.

Electrical Safety

- Power tool plugs must match the outlet. Never modify the plug in any way. Do not use any adapter plugs with earthed (grounded) power tools. Unmodified plugs and matching outlets will reduce risk of electric shock.
- Avoid body contact with earthed or grounded surfaces, such as pipes, radiators, ranges and refrigerators. There is an increased risk of electric shock if your body is earthed or grounded.
- Do not expose power tools to rain or wet conditions. Water entering a power tool will increase the risk of electric shock.
- Do not abuse the cord. Never use the cord for carrying, pulling or unplugging the power tool. Keep cord away from heat, oil, sharp edges or moving parts. Damaged or entangled cords increase the risk of electric shock.
- When operating a power tool outdoors, use an extension cord suitable for outdoor use. Use of a cord suitable for outdoor use reduces the risk of electric shock.
- If operating a power tool in a damp location is unavoidable, use a residual current device (RCD) protected supply. Use of an RCD reduces the risk of electric shock.

Personal Safety

- Stay alert, watch what you are doing and use common sense when operating a power tool. Do not use a power tool while you are tired or under the influence of drugs, alcohol or medication. A moment of inattention while operating power tools may result in serious personal injury.
- Use personal protective equipment. Always wear eye protection. Protective equipment such as dust mask, non-skid safety shoes, hard hat with visor, or hearing protection used for appropriate conditions will reduce personal injuries.
- Prevent unintentional starting. Ensure the switch is in the off-position before connecting to power source and/or battery pack, picking up or carrying the tool. Carrying power tools with your finger on the switch or activating power tools that have the switch on invites accidents.
- Remove any adjusting key or wrench before turning the power tool on. A wrench or a key left attached to a rotating part of the power tool may result in personal injury.
- Do not overreach. Keep proper footing and balance at all times. This enables better control of the power tool in unexpected situations.
- Dress properly. Do not wear loose clothing or jewelry. Keep your hair and clothing away from moving parts. Loose clothes, jewelry or long hair can be caught in moving parts.
- If the cutting mechanism strikes any foreign object or the product starts making any and allow the product to stop. Switch off the machine and remove from the mains and take the following steps:
 - Inspect for damage.
 - Check and tighten any loose parts.
 - Have any damaged parts replaced or repaired with parts having equivalent specifications.

- If devices are provided for the connection of dust extraction and collection facilities, ensure these are connected and properly used. Use of dust collection can reduce dust-related hazards.
- Do not let familiarity gained from frequent use of tools allow you to become complacent and ignore tool safety principles. A careless action can cause severe injury within a fraction of a second.

Power Tool Use and Care

- Do not use excessive force the power tool. Use the correct power tool for your application. The correct power tool will perform better and safer at the rate for which it was designed.
- Do not use the power tool if the switch does not turn it on and off. Any power tool that cannot be controlled with the switch is dangerous and must be repaired.
- Disconnect the plug from the power source and/or remove the battery packs, if detachable, from the power tool before making any adjustments, changing accessories, or storing power tools. Such preventive safety measures reduce the risk of starting the power tool accidentally.
- Store idle power tools out of the reach of children and do not allow persons unfamiliar with the power tool or these instructions to operate the power tool. Power tools are dangerous in the hands of untrained users.
- Maintain power tools and accessories. Check for misalignment or binding of moving parts, breakage of parts and any other condition that may affect the power tool's operation. If damaged, have the power tool repaired before use. Many accidents are caused by poorly maintained power tools.
- Keep cutting tools sharp and clean. Properly maintained cutting tools with sharp cutting edges are less likely to bind and are easier to control.

- Use the power tool, accessories and tool bits etc. in accordance with these instructions, taking into account the working conditions and the work to be performed. Use of the power tool for operations different from those intended could result in a hazardous situation.
- Keep handles and grasping surfaces dry, clean and free from oil and grease. Slippery handles and grasping surfaces do not allow for safe handling and control of the tool in unexpected situations.

Operation

- This product should not be used for any other purpose than described. Note that national regulations can restrict the use of this product.
- Working with this product is demanding; therefore, ensure you are physically and mentally fit to complete the job safely. Do not use the product when you are tired, ill or under the influence of alcohol or other drugs.
- Pay attention to your posture; always use the provided harness and keep your back straight. Do not overwork yourself. Take regular breaks to ensure concentrated work and full control over the product.
- Keep a firm footing and balance during operation. Always be sure of a safe and secure operating position, whilst using the product. Never use the product standing on steps or a ladder.
- Always wear substantial footwear and long trousers while operating. Do not operate the product when barefoot or wearing open sandals. Wear protective glasses or goggles.
- Thoroughly inspect the area where the product is to be used and remove all objects which can be thrown by the product.
- Before using the product and after any impact, check for signs of wear or damage and repair as necessary.

- Never operate the product with damaged guards or without the guards in place.
- Keep hands and feet away from the cutting means at all times, and especially when switching on the motor.
- Never allow children or people unfamiliar with the instructions to use the product.
- Stop using the product while people, especially children, or pets are nearby.
- Only use the product in daylight or good artificial light.
- Switch off the motor and remove from the mains before:
 - Cleaning or when clearing a blockage.
 - Checking, carrying out maintenance or working on the product.
 - Adjusting the working position of the cutting device.
 - Leaving the product unattended.
- Ensure that the product is correctly located in a designated working position before switch on the motor.
- While operating the product, always ensure that the operating position is safe and secure.
- Do not operate the product with a damaged or excessively worn cutting blades chain or edges.
- Always ensure that all handles and guards are fitted when using the product. Never attempt to use an incomplete product or one fitted with an unauthorised modification.
- Always use two hands to operate a product fitted with two handles.
- Always be aware of your surroundings and stay alert for possible hazards of which you may be aware due to the noise of the product.
- Always ensure that ventilation openings are kept clear of debris.

Maintenance and storage

- Improper maintenance and removal of safety devices leads to hazards causing injuries and damage to property.
- When the product is stopped for servicing, inspection or storage, shut off the power source, remove from the mains and make sure all moving parts have come to a stop. Allow the product to cool before making any inspections, adjustments, etc.
- Always allow the product to cool down before storing.
- When not in use store the product out of the reach of children.
- Use only manufacturers recommended replacement parts and accessories.
- When transporting or storing the product, always fit the transportation guards.
- Correctly secure your product when transporting in a vehicle to prevent turnover, and damage to the product.

Service

- Have your power tool serviced by a qualified repair person using only identical replacement parts. This will ensure that the safety of the power tool is maintained. See page 2 or 36 for product support and spare parts.

Product Safety Warnings

Brush Cutter and Line Trimmer Safety Warnings:

- Use the tool only with specifically designated AC power supplies. Use of any other AC power supplies will increase the risk of injury and fire.
- Only operate the product in daylight or in good artificial light.
- Wear protection, where there is a risk of falling objects.
- Wear eye protection (goggles or face shield).

- Wear ear protection.
- Wear foot protection and gloves (on brush cutters).
- Keep a distance between the product and bystanders of at least 15 m.
- Beware of thrown object.
- Take care against injury from any device fitted for trimming the line length. After cutting device line always return the product to its normal operating position before switching on.

Vibration and Noise Reduction

To reduce the impact of noise and vibration emission, limit the time of operation, use low-vibration and low- noise operating modes as well as wear personal protective equipment.

Take the following points into account to minimise the vibration and noise exposure risks:

1. Only use the product as intended by its design and these instructions.
2. Ensure that the product is in good condition and well maintained.
3. Use correct application tools for the product and ensure they in good condition.
4. Keep tight grip on the handles/grip surface.
5. Maintain this product in accordance with these instructions and keep it well lubricated (where appropriate).
6. Plan your work schedule to spread any high vibration tool use across a longer period of time.

The European Physical Agents (Vibration) Directive has been brought in to help reduce hand arm vibration syndrome injuries to users of product's with vibration emission. The directive requires manufacturers and suppliers to provide indicative vibration test results to enable users to make informed

decisions as to the period of time a product can be used safely on a daily basis and the choice of tool. Further advice can be found at www.hse.gov.uk

The declared vibration emission value should be used as a minimum level and should be used with the current guidance on vibration.

Calculating the actual period of the actual period off use can be difficult and the HSE website has further information.

The declared vibration emission been measured in accordance with a standard listed test stated above and may be used to compare one tool with another. The declaration on emission value may also be used in a preliminary assessment of exposure.



WARNING! The vibration emission value during actual use of the power tool can differ from the declared value depending on the ways in which the dependant on the following examples and other variations on how the tool is used:

- How the tool is used and the materials being ground or cut.
- The tool being in good condition and well maintained.
- The use the correct accessory for the tool and ensuring it is sharp and in good condition. The tightness of the grip on the handles.
- And the tool is being used as intended by its design and these instructions.

This tool may cause hand-arm vibration syndrome if its use is not adequately managed.

Emergency

Familiarise yourself with the use of this product by means of this instruction manual. Memorise the safety directions and follow them to the letter. This will help to prevent risks and hazards.

1. Always be alert when using this product, so that you can recognise and handle risks early. Fast intervention can prevent serious injury and damage to property.
2. Switch off and disconnect from the power supply if there are malfunctions. Have the product checked by a qualified professional and repaired, if necessary, before you operate it again.



WARNING! This product produces an electromagnetic field during operation! This field may under some circumstances interfere with active or passive medical implants! To reduce the risk of serious or fatal injury, we recommend persons with medical implants to consult their doctor and the medical implant manufacturer before operating this product.

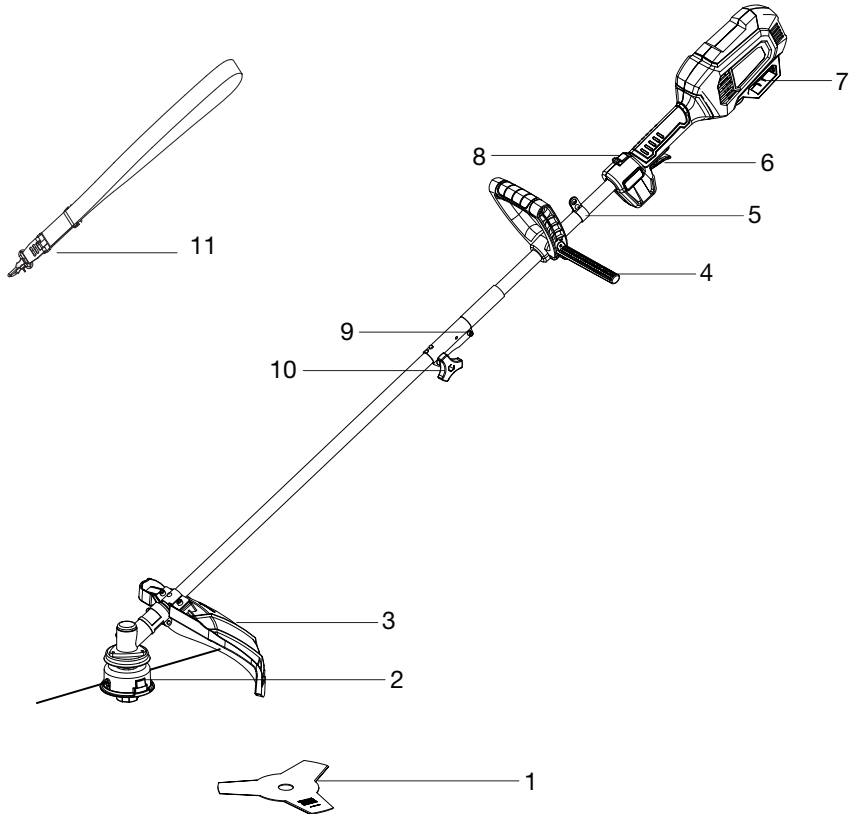
Residual Risks:

Even with the intended use of the appliance there is always a residual risk, which can not be prevented. According to the type and construction of the appliance the following potential hazards might apply:

- Contact with exposed saw teeth of the saw chain (cutting hazards)
- Access to the rotating saw chain (cutting hazards)
- Unforeseen, abrupt movement of the guide bar (cutting hazards)
- Flying debris from the work piece
- Skin contact with the oil

- Health defects resulting from vibration emission if the product is being used over long periods of time or not adequately managed and properly maintained.
- Injuries and damage to property due to broken accessories or the sudden impact of jects during use.
- Danger of injury and property damage caused by flying objects.
- Loss of hearing, if no required ear protection used during work

PRODUCT DESCRIPTION AND IDENTIFICATIONS



- | | |
|---|-----------------------------|
| 1. Brush cutter blade | 7. Cable strain relief hook |
| 2. Spool | 8. Lock-off push button |
| 3. Safety guard | 9. Stop pin |
| 4. Auxiliary handle | 10. Lower shaft lock nut |
| 5. Tubing clip for safety shoulder belt | 11. Safety shoulder belt |
| 6. On/off trigger | |

Not all the accessories illustrated or described are included in standard delivery.

ASSEMBLY AND OPERATING INSTRUCTIONS



NOTE: To reduce the risk of injury, user must read instruction manual.

Intended Use

This 2 in 1 brush cutter and line trimmer is designated with an electrical machinery. Depending on the attached accessory this product is intended to be used as:

- 1). Brush cutter: With the cutter blade attached the product is intended to cut heavier weeds, brush and similar vegetation.
- 2). Line trimmer: With the line spool attached the product is intended to cut smaller types of weed, lawn grass or similar soft vegetation. It must not be used to work on unusually thick, dry or wet grass, e.g. pasture grass, or to shred leaves.
- 3). The product must not be used for cutting other materials, such as plastic, stone, metal or wood that contains foreign objects and must not be used outside of domestic premises.
- 4). Observe the technical data for the maximum cutting capacity according to the application (see "Technical data").
- 5). This product is intended for private domestic use only, not for any commercial trade use. It must not be used for any purposes other than those described.

ASSEMBLY

Unpacking

This device must be installed first.

1. Carefully remove the unit and all accessories out of the box and check everything for completeness.
2. Check the unit carefully to ensure that no damage during transport occurred.
3. Do not dispose the packaging material before the unit is carefully inspected and trial-used.



WARNING:

If anything is missing, please do not use the device until the missing parts are replaced. Otherwise it may lead to serious injuries.



WARNING:

Do not attempt to modify the product or use accessory that is not recommended by manufacturer for use with this device. Such modifications shall be deemed as abuse and can lead to dangerous situations even severe injuries.



WARNING:

You should never remove, mount or adjust the accessories while the machine is still running. If you do not turn off the engine in advance, serious injuries may occur.

Assemble the lower shaft (Brush cutter/Grass trimmer shaft)

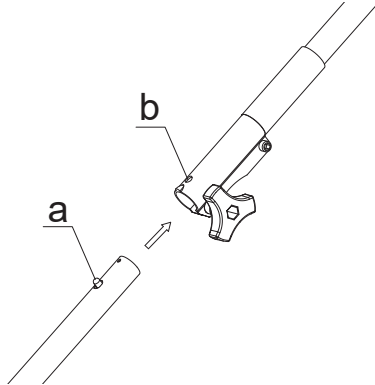
Remove the black cap on the lower shaft. Rotate the wing nut and release the wing nut from the shaft connector.

Insert the lower shaft into the connector, make sure the stop pin (a) on the shaft slots into the hole (b). If the shaft is not able to be fully inserted, slightly rotate the lower shaft or spindle to ensure full alignment before insertion. Once fully inserted, the limit pin will lock into the limit hole with a "click" sound.

Fasten the wing nut on the connector after the shaft is fully inserted.



WARNING! Always make sure the tubes cannot be twisted once connected, the internal shaft should be free to move. Check there is no loose connection. Loose connection increases vibration and results in machine damage and personal injuries.



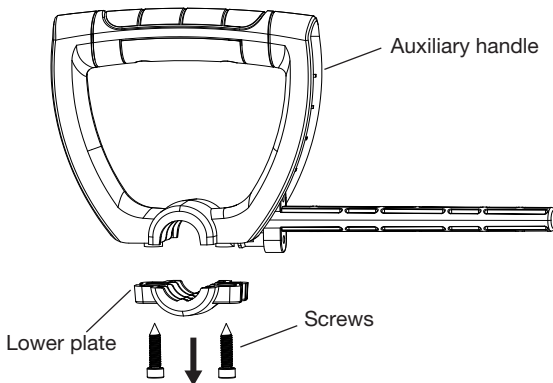
WARNING:

Make sure that the wing nut knob is firmly secured before operating the unit. Please double check regularly.

Fitting of the auxiliary handle

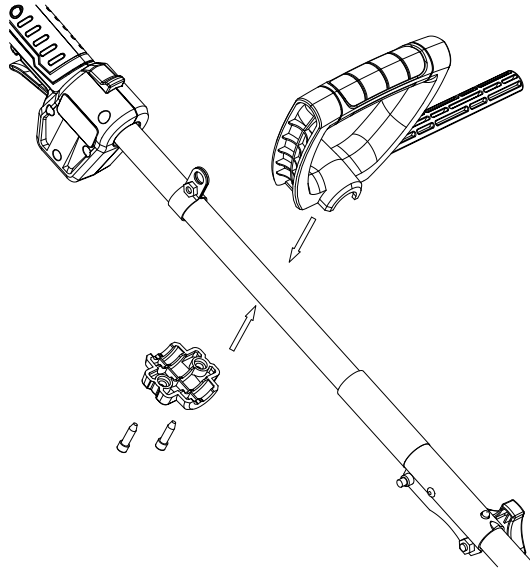
The auxiliary handle should be used for maximum control and safety in the operation of the device.

1. Loosen the auxiliary handle into 3 parts: Auxiliary handle, lower plate and screws.

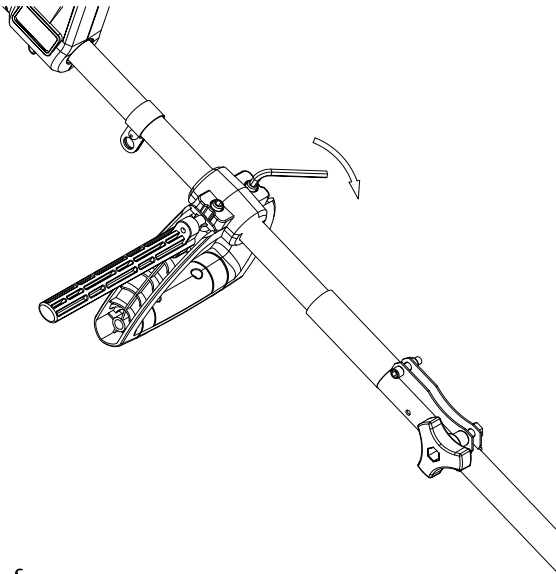


2. Install the auxiliary handle onto shaft.

Warning: According to the safety regulation, user should be on the same side of stop lever when operating

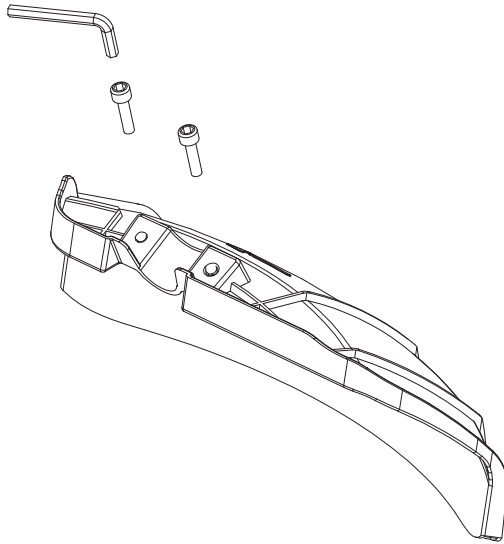


3. Tighten the screw. There is a groove on the shaft, and the lower plate should align with the groove on the shaft during installation. You can adjust the position of the auxiliary handle in order to achieve the best balance and comfort.

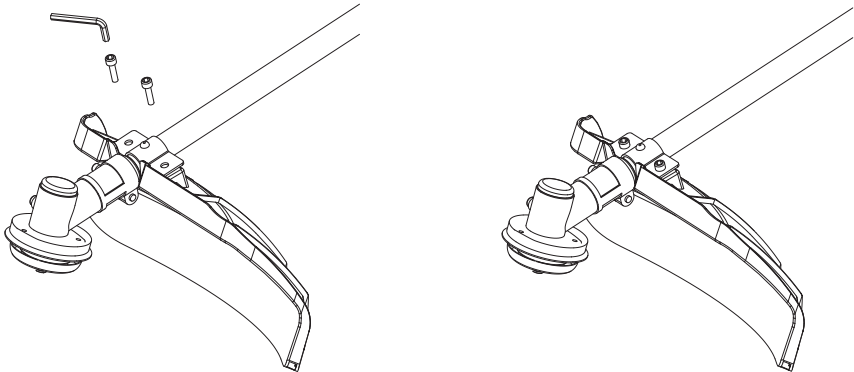


Installation of the blade guard

1. Loosen the allen bolts from the safety guard using the provided hex key.



2. Mount the safety guard onto the shaft working head and fix the safety guard with 2 allen bolts and tighten the bolts securely.

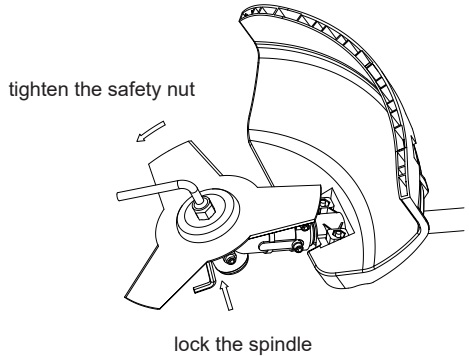
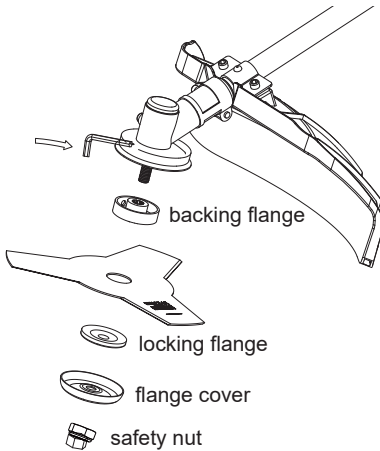


Installation of the brush cutter blade

Insert a hex key into the shaft lock hole (located on the side of the working head) to secure the shaft. After unscrewing the safety nut, remove the safety nut, flange cover, locking flange in sequence from the shaft working head.

Mount the brush cutter blade onto the backing flange (the centre hole of the main blade must be fully aligned with the centre protrusion of the backing flange and remain stable without shifting). Then, install the locking flange, flange cover, and safety nut in sequence. With the hex key inserted into the shaft lock hole to secure the shaft, use an open-end wrench to tighten the safety nut, firmly securing the blade onto the shaft. After tightening, remove the hex key.

To remove the blade, reverse the above steps. Be sure to wear protective gloves when installing and removing the blade.

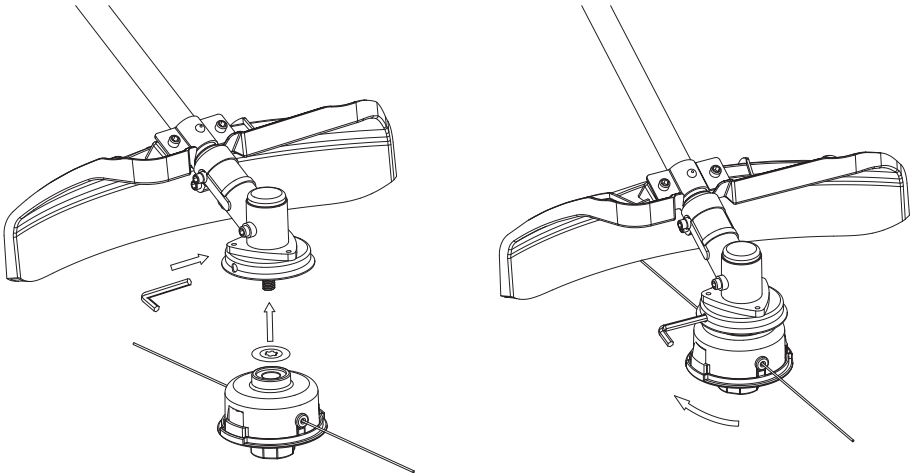


Installation of the line spool for grass trimmer.

Insert a hex key into the shaft lock hole (located on the side of the working head) to secure the shaft. After unscrewing the safety nut, remove the safety nut, flange cover, locking flange, and backing flange in sequence.

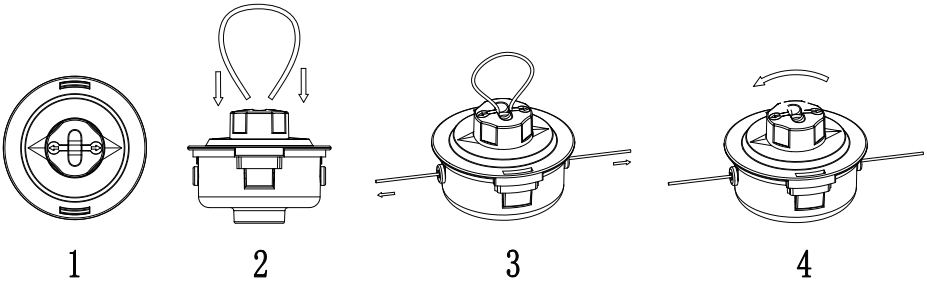
Tighten the line spool with the grass-cutting line onto the shaft by rotating it counterclockwise. After installation, remove the hex key.

To remove the line spool, reverse the above steps. Be sure to wear protective gloves when installing and removing the line spool.



Change the nylon line

- 1. Pull out the remaining grass-cutting line:** Below the red arrow on the front of the bottom of the line spool, there is a threading hole for the grass-cutting line on each side (as shown in Figure 1). Firmly press on the surface with the red arrow while pulling the grass-cutting line out from the line exit holes on both sides of the line spool if the line can no longer extend automatically. (Fig.1)
- 2. Thread new grass-cutting line into the line spool:**
Recommend nylon grass trimming line diameter 1.6-2.0mm x 5m.
Press firmly on the surface with the red arrow, then insert both ends of the new grass-cutting line into the threading holes below the red arrow. Stop when approximately 10 cm of line extends from the line exit holes on both sides of the spool. Pull the line firmly from both exit holes to ensure that it fits closely within the line grooves inside the spool. (Fig 2 and Fig 3)
- 3. Wind the threaded grass-cutting line into the line spool:** Press firmly on the surface with the red arrow, and rotate the top cover of the line spool counterclockwise. Repeat this action until all of the grass-cutting line is wound into the line spool. Ensure that the groove between the two red arrows is fully aligned with the grass-cutting line. Release the surface with the red arrow to complete the loading of the line. (Fig.4)
See page 2 or 36 for product support.



OPERATION INSTRUCTIONS

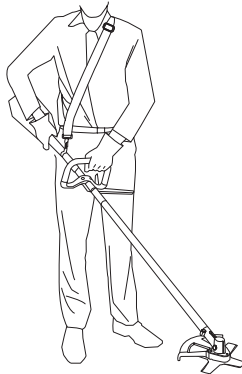
1. Safety shoulder belt

The safety should belt helps the operator carry this product.



WARNING! Always attach the product to the shoulder strap. Do not carry it just by hand.

- 1). To remove the shoulder strap from the loop, open the securing clip.
- 2). Place the shoulder strap so that it runs over the left shoulder, crossing the chest and back. The securing clip must be located at the right hip.

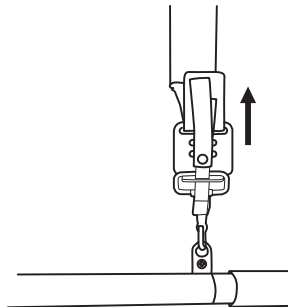


- 3). Adjust the length of the harness so that the hook is approximately 15 cm below your waist; locate the product to the harness by using the securing clip ensuring that the angle of the cutting head is parallel to the surface being cut.



WARNING! Always attach the product to the shoulder strap. Do not carry it only with your hands.

- 4). In case of emergency, pull the rope of the quick release mechanism. The metal locking bar will be released from the securing clip automatically because of the weight of the machine, and the machine will drop away from you.



2. Brush cutter

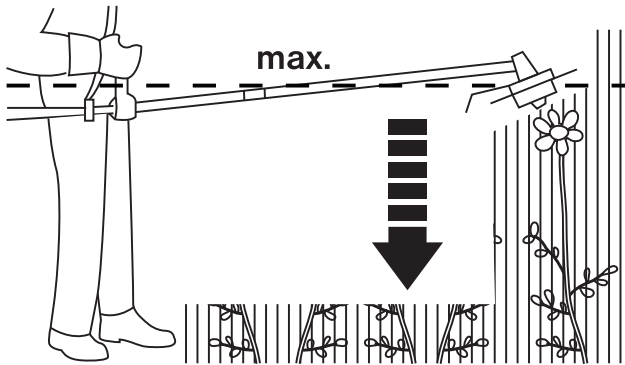


WARNING! To avoid hazards never cut heavier weeds, brush and similar vegetation with a thickness of over 20mm. Avoid contact with stones, wire, glass etc. that may cause injury to the user. Inspect the blade regularly for damage, cracks or breaks. Always replace a damaged blade.



WARNING! When working with the cutter blade there is always a risk of kickback if the cutting head comes into contact with a hard object. Kickback will cause the sudden stalling of the cutting head, which in turn results in the cutting head being forced in the opposite direction to the rotation of the cutter blade. Ensure that you retain a firm grip with both hands at any sign of such kickback, pay attention and retain a firm stance to avoid injuries.

- 1). Use the cutter blade to cut heavier weeds, brush and similar vegetation with a thickness of up to 20mm.
- 2). Hold the product firmly so that it sits with a gap between the product and your right side.
- 3). Stand upright, do not lean forward and pay attention to posture. Keep both feet apart to help retain your balance.
- 4). Never hold the cutting head higher than your hip; the higher you hold the cutting head will increase the risk of objects being thrown.

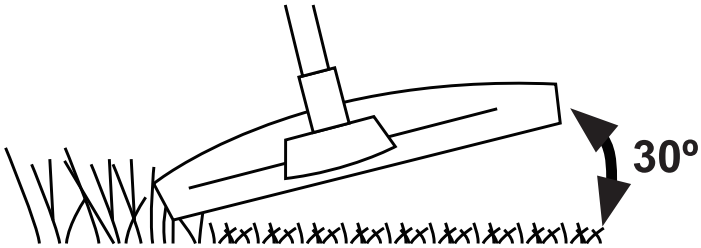


- 5). Carefully plunge the blade from above when cutting long undergrowth.
- 6). Move the cutting head towards the base of young trees or thicker vegetation.

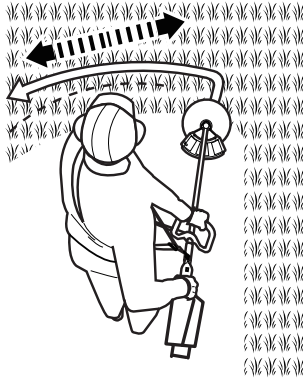
3. Grass trimmer

- 1). Use the trimmer head to cut smaller types of weed, lawn grass or similar soft vegetation.
- 2). Remove the protection cap from the line cutter on the safety guard.
- 3). Hold the product firmly so that it sits with a gap between the product and your right side.
- 4). Stand upright, do not lean forward and pay attention to posture. Keep both feet apart to help retain your balance.

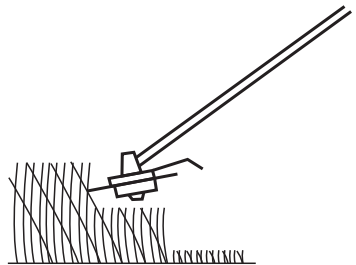
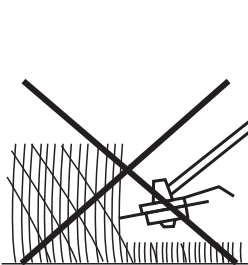
- 5). Hold the trimmer head just above the ground at an angle of approximately 30°.



- 6). Move the product with slow and regular arc from left to right before moving it back to the starting position before trimming the next area.



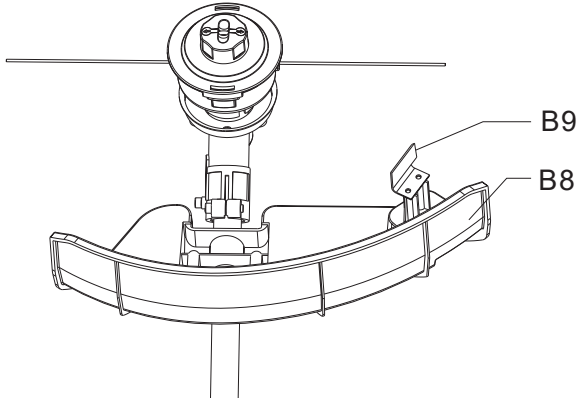
- 7). Ensure the cutting head remains clean and free from off-cuts that may cause it to jam. Check regularly. Disconnect the machine from mains and wait until it stops completely before checking.
- 8). Trim longer grass in stages, do not cut long grass in one cut. For the best results, cut longer grass in steps.



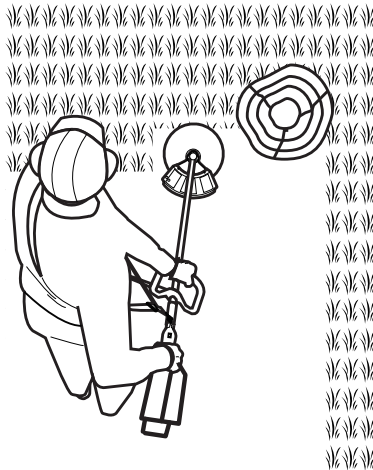
9). A line cutter (B9) is integrated with the trimming guard (B8) and this will cut the line to the necessary length.



WARNING! The cut line will be thrown out. Danger of injury especially for bystanders.



- 10). For best results, do not cut wet grass as it may stick to the cutting heads and guard, preventing proper discharge of grass trimmings, and could cause you to slip and fall.
- 11). Pay special attention when performing the work close to trees and bushes. The cutting heads could damage sensitive bark, and damage fence posts.



CARE AND CLEANING

MAINTENANCE



WARNING:

Use only original spare parts. The use of other parts presents a danger and could lead to accidents or injuries.



WARNING:

Always wear safety glasses with side shields when using the device. In dusty environments, you should also wear a dust mask.



WARNING:

Before you check, clean the device or perform maintenance, you must wait until the motor stops and all moving parts have come to a halt. Then disconnect the power connection and move the device to a different place. Failure to follow these instructions may result in serious injury or damage to property.

GENERAL MAINTENANCE

After each use, clean the unit.

Avoid the use of commercial solvents, the unit may be damaged. Use clean cloth to remove dirt, dust, oil or grease.



WARNING:

Never spill brake fluid, petroleum-based fluids, penetrating oil, etc. on the plastic parts. These can damage the plastic, which could lead to serious injury.

Only the manufacturer supplied original-parts can be replaced or repaired by the user, all the other parts need to be maintained by the service centre.

STORAGE (1 MONTH OR LONGER)

Remove all debris from the unit. Store it in a well ventilated place out of the reach of children. Keep the unit away from corrosive substances such as garden chemicals or deicing salts.

TROUBLE SHOOTING

Use this section to help you to try and solve any problems you may have:

PROBLEM	POSSIBLE CAUSES	REMEDIES
Trimmer does not operate	Cable plug is not inserted or is inserted incorrectly	Make sure the cable plug is inserted
Motor overheating	Grass caught under the cutting means guard	Remove caught grass
Cutting is difficult	The cutting condition is not suitable	See page 29 for user instructions
Grass accumulates around the rod housing and cutting line head	Too high grass is being cut close to the ground	Cut tall grass with a top down movement to avoid accumulations.
The line is not released when the cutting line head hits the ground	<ol style="list-style-type: none"> 1. The line is stuck to itself 2. Not enough line in the spool or spool empty 3. The line is worn and too short 4. The line is tangled in the spool or broken 	<ol style="list-style-type: none"> 1. Lubricate with silicone spray 2. Replace the line 3. Pull the line while pressing the release button 4. Remove the line from the spool and rewind it
The cutting means comes into contact with a foreign body.		Turn off the machine, remove the plug and: - inspect for damage; - check for and tighten any loose parts; - have all replacements or repairs carried out by an authorised service centre. See page 2 and 36 for product support and spare parts.
Excessive noise and/or vibration is experienced whilst working	Loose or damaged parts.	Turn off the machine, remove the plug and: - inspect for damage; - check for and tighten any loose parts; - have all replacements or repairs carried out by an authorised service centre. See page 2 and 36 for product support and spare parts.
The machine gives off smoke whilst working	Machine damaged	Do not use the machine. Immediately turn off the machine remove the plug and contact our customer service team, see page 2 and 36 for product support.

NOTE: IF YOU EXPERIENCE A PROBLEM WITH YOUR TOOL, PLEASE DO NOT ATTEMPT TO OPEN OR REPAIR THE TOOL YOURSELF. DOING SO MAY VOID THE WARRANTY AND COULD CAUSE DAMAGE OR PERSONAL INJURY. IF THE PROBLEM STILL PERSISTS, PLEASE CONTACT US BY REFERRING TO THE SERVICE & SUPPORT INFORMATION ON THE FOLLOWING PAGE.

DECLARATION OF CONFORMITY / PERFORMANCE



Product Code 66926 (H9205BL)

Product Description Hawksmoor 2in1 Brush Cutter & Line Trimmer

1. Toolstation (company number 04372131)

This declaration of conformity is issued under the sole responsibility of Toolstation

2. Object of the declaration

The object of the declaration described above is in conformity with the relevant Community harmonization legislation:

Supply of Machinery (Safety) Regulations 2008
2006/42/EC

Electromagnetic Compatibility Regulations 2016
2014/30/EU

The Restriction of the Use of Certain Hazardous Substances in Electrical and Electronic Equipment
Regulations 2012

2011/65/EU&(EU)2015/863

Noise Emission in the Environment by Equipment for use Outdoors Regulations 2001 2000/14/EC
amended by 2005/88/EC

FOR LINE TRIMMER Measured Sound Power Level: 94.2 dB(A) Guaranteed Sound Power Level: 96
dB(A)

3. References to the relevant standards used (or references to the specifications in relation to which
conformity is declared:

EN 62841-1:2015+AC:2015+A11:2022, IEC 62841-4-4:2020; EN IEC 55014-1:2021, EN IEC 55014-
2:2021, EN 61000-3-2:2019+A1:2021, EN 61000-3-3:2013+A2:2021; EN ISO 3744:1995; ISO
11094:1991;

4. Additional information:

Signed for and on behalf of Toolstation Limited

ENVIRONMENTAL INFORMATION



The symbol on the product or its packaging indicates that this product must not be disposed of with your other household waste. Instead, it is your responsibility to dispose of your waste equipment by handing it over to a designated collection point for the recycling of waste electrical and electronic equipment. The separate collection and recycling of your waste equipment at the time of disposal will help conserve natural resources and ensure that it is recycled in a manner that protects human health and the environment. For more information about where you can drop off your waste for recycling, please contact your local authority, or where you purchased your product.

WARRANTY

Toolstation products deliver reliable service for normal, household use in domestic settings. All Toolstation products are individually tested before leaving the factory.

If you are a consumer and you experience a problem with your Toolstation product, which is found to be defective due to faulty materials or workmanship within the Warranty Period, this Toolstation Warranty will cover repair or - at the discretion of Toolstation – replacement with a functionally equivalent Toolstation product.

Your product is under warranty for 2 years from the date of purchase or the date of delivery of the product, if later.

The warranty is subject to the following provisions:

- The warranty does not cover accidental damage, misuse, cabinet parts, knobs, or consumable items.
- The product must be correctly installed and operated in accordance with the instructions contained in this manual.
- It must be used solely for domestic purpose.
- The warranty will be rendered invalid if the product is re-sold or has been damaged by inexpert repair.
- Specifications are subject to change without notice.
- The manufacturer disclaims any liability for the incidental or consequential damages.
- The warranty is in addition to, and does not diminish your statutory or legal rights

CUSTOMER SUPPORT

www.coreservice.co.uk

Call us +44 01904 947568

Email: support@coreservice.co.uk

Made in China

PRODUCT SUPPORT

In the unlikely event of you needing technical support, replacement part or you believe a repair is needed, please contact us in the first instance by following the steps below.



SCAN ME

STEP 1

Find your proof of purchase and scan this QR code **OR** call our helpline below

STEP 2

Get in touch with our team and receive expert technical support



STEP 3

Our team will arrange collection to repair your product under warranty **OR** an alternative resolution



STEP 4

Your product will be assessed and if required, repaired back to full working order



STEP 5

Your repaired product will be returned to you via courier within 10 days



GET IN TOUCH

 01904 947568

 support@coreservice.co.uk

We recommend you keep the original packaging, if repair is needed.

 Technical support: 9am-5pm, Mon-Fri

 Helpline: 24/7

 **HAWKSMOOR**